

WOODHEAD®

Safety. Reliability. Performance.



Table of Contents



PORTABLE LIGHTING

- Hand Lamps 6
- Wide-Area Lighting 30
- Stringlights..... 36



REELS

- Standard-Duty Cord Reels..... 46
- Industrial-Duty Cable Reels..... 51
- Heavy-Duty Cable Reels 56
- Industrial- and Heavy-Duty Mounting Techniques 60
- Specialty Reels..... 64



GRIPS

- Strain-Relief Grips 70
- Support Grips 89
- Pulling Grips..... 97
- Technical Information 104



Table of Contents



WIRING DEVICES

- Wet Location Food & Beverage/General Purpose..... • **114**
- Wet Location Petrochemical • **118**
- Wet Location Pin & Sleeve • **128**
- Heavy-Duty Industrial • **130**
- Heavy-Duty Adapters • **142**
- Heavy-Duty Pin & Sleeve • **144**
- Technical Information • **146**
- Switch-Rated Connectors (ArcArrest)..... • **162**



POWER DISTRIBUTION

- GFCI • **176**
- Outlet Boxes • **195**
- Technical Information • **224**



TEST/CONTROL

- Push-Button Pendant Products..... • **232**
- Testers • **240**
- Technical Information • **242**



Woodhead Portable Lighting



Hand Lamps



Wide-Area Lighting



Stringlights

Woodhead Portable Lighting



HAND LAMPS

The industry's most extensive line of portable hand lamps for use in hazardous, wet, industrial and commercial environments, including low-voltage options.



WIDE-AREA LIGHTING

An extensive range of portable lighting solutions suitable for rugged and harsh applications in wet and industrial environments.



STRINGLIGHTS

The largest variety of stringlights constructed for rugged, reliable service for industrial and commercial settings.



Woodhead Portable Lighting

Hand Lamps	6
Hazardous Location Hand Lamps.....	7
Low Voltage Workstations.....	12
Low Voltage Hand Lamps.....	13
Wet Location Hand Lamps	15
Industrial Duty Hand Lamps.....	19
Commercial Duty Hand Lamps	26
Wide-Area Lighting	30
Industrial Duty Fluorescent.....	31
Wet Location.....	33
High Bays.....	34
Machine Lights.....	35
Stringlights	36
Hazardous Location and Wet Location.....	37
LED	38
Industrial Duty	39
Commercial Duty	41
Commercial and General Duty.....	42



Hand Lamps

Applications

- Petrochemical plant shut-downs
- Hull and bilge cleaning
- Painting and chipping
- Sandblasting
- Tank and vessel inspections
- Washdown-work areas
- General maintenance and repair

Task lighting in industrial environments can be a challenge. Woodhead hand lamps feature the most rugged, longest-lasting enclosures for use in harsh environments: hazardous location, wet location, industrial duty, commercial duty and general duty. Hazardous location lights are available in LED, incandescent and fluorescent and comply with OSHA and NEC requirements for classified locations. Low-voltage lights are equipped with low-voltage transformers, providing maximum protection in wet or conductive environments.



Hand Lamps

Haztex® Hazardous Location

HIGH-OUTPUT LED 20W

Features and Benefits

- Integral LED light source
- High-output LED

Specifications

Electrical	Fixture Voltage: 120V AC
Physical	Switch: No Lumens: 1800
Environmental	NEMA Rating: NEMA 4X UL File No.: E30252
Reference Information	Hazardous Locations: Class I, Division I, Groups C and D Class II, Division I, Groups F and G Class I, Zone I, Group IIB Temperature Rating: T4



Cord Type	NEMA Configuration	Cord Length	Engineering No.	Order No.
			61450	130104-0082
16/3 SOOW	NEMA 5-15	7.62m (25.0')	61450A163	130104-0086
16/3 SOOW	NEMA 5-15	15.24m (50.0')	61450B163	130104-0087
16/3 SOOW	NEMA 5-15	30.48m (100.0')	61450D163	130104-0088
14/3 SOOW	NEMA 5-15	7.62m (25.0')	61450A143	130104-0083
14/3 SOOW	NEMA 5-15	15.24m (50.0')	61450B143	130104-0084
14/3 SOOW	NEMA 5-15	30.48m (100.0')	61450D143	130104-0085

Replacement Parts		
Description	Engineering No.	Order No.
Guard Assembly	61451	130104-0095
Socket and Handle Assembly	61452	130104-0096
Frosted Glass Globe	61455	130104-0097
Hook Assembly	61436	130104-0057
Replacement Light Source	61457	130104-0098

Hand Lamps

Haztex[®] Hazardous Location

LOW VOLTAGE HIGH-OUTPUT LED 21W

Features and Benefits

- Integral LED light source
- High-output LED
- Low-voltage options provide additional protection in wet or conductive locations (driver must remain outside the conductive area)

Specifications

Electrical	Fixture Voltage: 12V
Physical	Switch: No
Environmental	NEMA Rating: NEMA 4X
	UL File No.: E30252
Reference Information	Hazardous Locations: Class I, Division I, Groups C and D Class II, Division I, Groups F and G Class I, Zone I, Group IIB Temperature Rating: T4



Cord Type	NEMA Configuration	Cord Length	Engineering No.	Order No.
14/3 SOOW	NEMA 5-15	7.62m (25.0')	1655-12A	130105-0082
14/3 SOOW	NEMA 5-15	15.24m (50.0')	1655-12B	130105-0083

Replacement Parts		
Description	Engineering No.	Order No.
Low Voltage Replacement Light Source	1679-12	130112-0272
Low Voltage Cover Assembly	1676-EX	130112-0133
Low Voltage Carrying Handle	1677	130112-0134

Hand Lamps

Haztex® Hazardous Location

FLUORESCENT 26W

Features and Benefits

- Lights are designed to stringent specifications of NEC Article 500 and are agency listed for safety in classified locations
- Low-voltage options provide additional protection in wet or conductive locations (transformer must remain outside the conductive area)

Specifications

Physical	Bulb Size: PL-C 26/41/4P
	Switch: No
Reference Information	Construction: Aluminum with rubber bumpers
	Lumens: 1800
Reference Information	UL File No.: E30252 (except 230V rated products)
	CSA File No.: LR39801
	Hazardous Locations:
	Class I, Division I, Groups C and D
	Class II, Division I, Groups F and G
	Class I, Zone 1, Group IIB
	UL Temperature Rating: T3B



Fixture Voltage		Cord Type	NEMA Configuration	Cord Length	Transformer Type	Engineering No.	Order No.
Primary	Secondary						
120V AC 60 Hz	—	—	—	Without cord	—	1090-HZ	130104-0021
12V AC	—	16/3 SOOW	Non-NEMA	7.62m (25.0')	Workstation	1090-HZ12A163	130104-0022
12V AC	—	16/3 SOOW	Non-NEMA	15.24m (50.0')	Workstation	1090-HZ12B163	130104-0023
12V AC	—	14/3 SOOW	Non-NEMA	30.48m (100.0')	Workstation	1090-HZ12D143	130104-0024
120V AC 60 Hz	—	14/3 SOOW	NEMA 5-15	7.62m (25.0')	—	1090-HZA143	130104-0030
120V AC 60 Hz	—	14/3 SOOW	NEMA 5-15	15.24m (50.0')	—	1090-HZB143	130104-0032
120V AC 60 Hz	—	14/3 SOOW	NEMA 5-15	30.48m (100.0')	—	1090-HZD143	130104-0034
120V AC 60 Hz	—	16/3 SOOW	NEMA 5-15	7.62m (25.0')	—	1090-HZA163	130104-0031
120V AC 60 Hz	—	16/3 SOOW	NEMA 5-15	15.24m (50.0')	—	1090-HZB163	130104-0033
120V AC 60 Hz	—	16/3 SOOW	NEMA 5-15	30.48m (100.0')	—	1090-HZD163	130104-0035
120V AC 60 Hz	12V AC	14/3 SOOW	NEMA 5-15	30.48m (100.0')	In-Line	1090-HZ12ID143	130104-0028
120V AC 60 Hz	12V AC	16/3 SOOW	NEMA 5-15	7.62m (25.0')	In-Line	1090-HZ12IA163	130104-0025
120V AC 60 Hz	12V AC	16/3 SOOW	NEMA 5-15	15.24m (50.0')	In-Line	1090-HZ12IB163	130104-0026
230V AC 50 Hz	12V AC	14/3 SOOW	—	30.48m (100.0')	In-Line	1090-HZ12ID143P	130104-0029
230V AC 50 Hz	12V AC	16/3 SOOW	—	15.24m (50.0')	In-Line	1090-HZ12IB163P	130104-0027

Replacement Parts		
Description	Engineering No.	Order No.
Cap Bumper	00-1470	130180-0179
Guard Bumper	00-1480	130180-0181
Handle Bumper	00-1490	130180-0182
Glass Globe	40-9442	130113-0007
Handle Assembly	40-9456	130186-0561
Lamp Guard Assembly	40-9441	130186-0719

Hand Lamps

Haztex® Hazardous Location

INCANDESCENT 100W MAX.

Features and Benefits

- Lights are designed to stringent specifications of NEC Article 500 and are agency listed for safety in classified locations

Specifications

Electrical	Fixture Voltage: 250V max. Voltage with Plug: 120V AC
Physical	Bulb Size: A21 (not included) Switch: No Construction: Aluminum with nylon handle Lumens: 1600 (100W)
Environmental	NEMA Rating: NEMA 4X UL File No.: E30252 CSA File No.: LR39801
Reference Information	Hazardous Locations: Class I, Division I, Groups C and D (100W max.) Class II, Division I, Groups F and G (75W max.) Class I, Zone 1, Group IIB UL Temperature Rating: T3B



Cord Type	NEMA Configuration	Cord Length	Engineering No.	Order No.
—	—	Without cord	61430	130104-0041
14/3 SOOW	NEMA 5-15	7.62m (25.0')	61430A143	130104-0042
14/3 SOOW	NEMA 5-15	15.24m (50.0')	61430B143	130104-0044
14/3 SOOW	NEMA 5-15	30.48m (100.0')	61430D143	130104-0048
16/3 SOOW	NEMA 5-15	7.62m (25.0')	61430A163	130104-0043
16/3 SOOW	NEMA 5-15	15.24m (50.0')	61430B163	130104-0045
16/3 SOOW	NEMA 5-15	30.48m (100.0')	61430D163	130104-0049

Replacement Parts		
Description	Engineering No.	Order No.
Guard Assembly (includes glass globe)	61431	130104-0054
Socket and Handle Assembly	61432	130104-0055
Clear Glass Globe	61435	130104-0056
Hook Assembly	61436	130104-0057

Hand Lamps

Haztex® Hazardous Location

LOW VOLTAGE INCANDESCENT 75W MAX.

Features and Benefits

- Lights are designed to stringent specifications of NEC Article 500 and are agency listed for safety in classified locations
- Low-voltage options provide additional protection in wet or conductive locations (transformer must remain outside the conductive area)

Specifications

Electrical	Bulb: All fixtures supplied with 12V, 75W, A21 bulb
Physical	Bulb Size: A21 Switch: No Construction: Aluminum with nylon handle
Environmental	NEMA Rating: NEMA 4X
Reference Information	UL File No.: E30252 (except 1645-12) CSA File No.: LR39801 Hazardous Locations: Class I, Division I, Groups C and D Class II, Division I, Groups F and G Class I, Zone 1, Group IIB UL Temperature Rating: T3B



Fixture Voltage		Cord Type		NEMA Configuration	Cord Length	Transformer Type	Engineering No.	Order No.
Primary	Secondary	Primary	Secondary					
12V AC	—	—	14/3 SOOW	Non-NEMA	15.24m (50.0')	Workstation	1645-12	130104-0038
120V AC 60 Hz	12V AC	16/3 SOOW		NEMA 5-15	7.62m (25.0')	In-Line	1635-12A	130105-0045
120V AC 60 Hz	12V AC	16/3 SOOW		NEMA 5-15	15.24m (50.0')	In-Line	1635-12B	130105-0046

Replacement Parts		
Description	Engineering No.	Order No.
In-Line Transformer Cover for Haz Duty Hand Lamps	1676-EX	130112-0133
Handle for In-Line Transformer	1677	130112-0134
In-Line Transformer for Hazardous Duty Incandescent Hand Lamp	1678-12	130112-0135
12V, 75W Bulb	1652-12	130191-0031

Hand Lamps

Low Voltage

WORKSTATIONS 200W, 400W

Features and Benefits

- Converts 120V power to 12V for use in wet locations with 12V lights and tools
- 12V power protects workers in damp or conductive locations (transformer must be kept out of the wet or conductive location)
- Durable construction allows for operation in the most demanding industrial environments



Specifications

Electrical	Overcurrent Protection: 15A
	NEMA Configuration: Plug—NEMA 5-15 Receptacles—Non-NEMA crowfoot
Physical	Cord Type: 16/3 SOOW Cord Length: 6'
Environmental	NEMA 3R

Primary	Fixture Voltage		Maximum Wattage	Number of Outlets	Engineering No.	Order No.
	Secondary					
120V AC 60 Hz	12V AC	400W	4	1640-12	130105-0050	
	12V AC	200W	2	1642-12	130105-0052	

Hand Lamps

Low Voltage

WET LOCATION INCANDESCENT 75W

Features and Benefits

- Wet location rated hand lamps meet and exceed OSHA requirements for wet location use
- In-line transformer converts 120V power to 12V for added protection in conductive locations (transformer must remain outside of the conductive location)
- Rubber handles and 8-gauge steel guards provide maximum protection for bulbs and electrical components
- Guard and globe options ensure the perfect product for the required protection in wet work environments



Specifications

Electrical	Bulb: All fixtures supplied with 12V, 75W, A21 bulb
Physical	Bulb Size: A21
	Switch: No
Environmental	Construction: Rubber handles (except lights with Teflon® globe; thermoset polyester for lights with Teflon globes)
	NEMA Rating: NEMA 4X
Reference Information	UL File No.: E59049
	CSA File No.: LR85374 (except 1646-12, 1649-12)



Fixture Voltage		Guard Material	Globe Material	Cord Type		NEMA Configuration	Cord Length	Transformer Type	Engineering No.	Order No.
Primary	Secondary			Primary	Secondary					
12V AC	—	#8 Gauge Zinc-Plated Steel	Tempered Glass	14/2 SOOW	—	Non-NEMA	15.24m (50.0')	Workstation	1649-12	130105-0059
	—	—	Teflon	14/2 SOOW	—	Non-NEMA	15.24m (50.0')	Workstation	1646-12	130105-0056
120V AC 60 Hz	12V AC	#8 Gauge Zinc-Plated Steel	Tempered Glass	16/3 SOOW	14/2 SOOW	NEMA 5-15	7.62m (25.0')	In-Line	1621-12A	130105-0037
	12V AC	#8 Gauge Zinc-Plated Steel	Tempered Glass	16/3 SOOW	14/2 SOOW	NEMA 5-15	15.24m (50.0')	In-Line	1621-12B	130105-0038
	12V AC	—	Teflon	16/3 SOOW	14/2 SOOW	NEMA 5-15	7.62m (25.0')	In-Line	1625-12A	130105-0041
	12V AC	—	Teflon	16/3 SOOW	14/2 SOOW	NEMA 5-15	15.24m (50.0')	In-Line	1625-12B	130105-0042
	12V AC	Cast Aluminum	Tempered Glass	16/3 SOOW	14/2 SOOW	NEMA 5-15	7.62m (25.0')	In-Line	1631-12A	130105-0043
	12V AC	Cast Aluminum	Tempered Glass	16/3 SOOW	14/2 SOOW	NEMA 5-15	15.24m (50.0')	In-Line	1631-12B	130105-0044
230V AC 50 Hz	12V AC	#8 Gauge Zinc-Plated Steel	Tempered Glass	16/3 SOOW	14/2 SOOW	—	15.24m (50.0')	In-Line	1621-12B-P	130105-0039

Replacement Parts

Description	Engineering No.	Order No.
#8 Gauge Zinc-Plated Steel Guard	1255	130112-0111
Glass Globe	1253	130191-0086
Teflon Globe with Hook	1229	130112-0110
12V, 75W Bulb	1652-12	130191-0031
In-Line Transformer Cover	1676	130112-0132
In-Line Transformer	1675-12	130112-0131

Hand Lamps

Low Voltage

INDUSTRIAL-DUTY INCANDESCENT 75W

Features and Benefits

- In-line transformer converts 120V power to 12V for added protection in conductive locations (transformer must remain outside of the conductive location)
- Rubber handles and 8-gauge steel guards provide maximum protection for bulbs and electrical components
- Ergonomically designed fencer's flange handle helps protect users from accidentally touching a hot guard



Specifications

Electrical	Bulb: All fixtures supplied with 12V, 75W, A21 bulb
Physical	Bulb Size: A21
	Switch: No
	Construction: Rubber handles Guard: 8-gauge Zinc-plated steel, screw release
Reference Information	UL File No.: E59049 CSA File No.: LR85374 (except 1648-12)



Fixture Voltage		Reflector	Cord Type		NEMA Configuration	Cord Length	Transformer Type	Engineering No.	Order No.
Primary	Secondary		Primary	Secondary					
12V AC	—	Yes	—	14/2 SOOW	Non-NEMA	15.24m (50.0')	Workstation	1648-12	130105-0058
120V AC 60 Hz	12V AC	No	16/3 SOOW	14/2 SOOW	NEMA 5-15	7.62m (25.0')	In-Line	1600-12A	130105-0028
	12V AC	No	16/3 SOOW	14/2 SOOW	NEMA 5-15	15.24m (50.0')	In-Line	1600-12B	130105-0029
	12V AC	Yes	16/3 SOOW	14/2 SOOW	NEMA 5-15	7.62m (25.0')	In-Line	1601-12A	130105-0030
	12V AC	Yes	16/3 SOOW	14/2 SOOW	NEMA 5-15	15.24m (50.0')	In-Line	1601-12B	130105-0031

Replacement Parts		
Description	Engineering No.	Order No.
#8 Gauge Zinc-Plated Steel Guard, No Reflector	1152	130112-0079
#8 Gauge Zinc-Plated Steel Guard With Reflector	1156	130112-0085
12V, 75W Bulb	1652-12	130191-0031
In-Line Transformer Cover	1676	130112-0132
In-Line Transformer	1675-12	130112-0131

Hand Lamps

Low Voltage

WET LOCATION SPOTLIGHTS 30W, 100W

Features and Benefits

- NEMA 4X rating provides assurance for safe operation in wet locations
- Low-voltage designs provide an added level of safety in wet or conductive environments (transformer must remain outside of the conductive location)



Specifications

Electrical	Bulb: All fixtures supplied with 12V, PAR36 bulb
Physical	Bulb Size: PAR36
	Construction: Rubber handles
	Cord Length: Primary (for in-line transformer) —10' Secondary — 50'
Environmental	NEMA 4X
Reference Information	UL File No.: E59049 CSA File No.: LR85374 (except switched versions and 1647-12)



Switch	Fixture Voltage		Lamp Wattage	Candle Power	Beam Spread	Cord Type		NEMA Configuration	Transformer Type	Engineering No.	Order No.
	Primary	Secondary				Primary	Secondary				
No	12V	—	30W	50000	6° x 5°	—	16/2 SOOW	N/A	Battery clips	1606	130105-0032
	12V AC	—	30W	50000	6° x 5°	—	14/2 SOOW	Non-NEMA	Workstation	1647-12	130105-0057
	120V AC 60 Hz	12V AC	100W	60000	14° x 6°	16/3 SOOW	14/2 SOOW	NEMA 5-15	In-Line	1691-12B	130105-0064
	120V AC 60 Hz	12V AC	30W	50000	6° x 5°	16/3 SOOW	14/2 SOOW	NEMA 5-15	In-Line	1610	130105-0033
Yes	120V AC 60 Hz	12V AC	100W	60000	14° x 6°	16/3 SOOW	14/2 SOOW	NEMA 5-15	In-Line	1691-12B5	130105-0065
	120V AC 60 Hz	12V AC	30W	50000	6° x 5°	16/3 SOOW	14/2 SOOW	NEMA 5-15	In-Line	1610S	130105-0034
	220V AC 60 Hz	12V AC	30W	50000	6° x 5°	16/3 SOOW	14/2 SOOW	NEMA 6-15	In-Line	1684S	130105-0062

Replacement Parts

Description	Engineering No.	Order No.
Guard, Vinyl Coated	1668	130112-0130
Handle Assembly with Guard, No Switch	1660	130112-0128
Handle Assembly with Guard, with Switch	1660S	130112-0129

Hand Lamps

Low Voltage

WET LOCATION FLOODLIGHTS 35W, 60W

Features and Benefits

- NEMA 4X rating provides assurance for safe operation in wet locations
- Low-voltage designs provide an added level of safety in wet or conductive environments (transformer must remain outside of the conductive location)



Specifications

Electrical	Bulb: All fixtures supplied with 12V, PAR36 bulb Bulb Size: PAR36
Physical	Construction: Rubber handles Cord Length: Primary (for in-line transformer) — 10' Secondary — 50' Beam Spread: 110°
Environmental	NEMA 4X
Reference Information	UL File No.: E59049 CSA File No.: LR85374 (except switched versions and 1638-12)



Switch	Fixture Voltage		Lamp Wattage	Cord Type		NEMA Configuration	Transformer Type	Engineering No.	Order No.
	Primary	Secondary		Primary	Secondary				
No	12V AC	—	60W	—	14/2 SOOW	Non-NEMA	Workstation	1638-12	130105-0048
	120V AC 60 Hz	12V AC	35W	16/3 SOOW	14/2 SOOW	NEMA 5-15	In-Line	1612	130105-0035
	120V AC 60 Hz	12V AC	60W	16/3 SOOW	14/2 SOOW	NEMA 5-15	In-Line	1692-12B	130105-0066
Yes	120V AC 60 Hz	12V AC	35W	16/3 SOOW	14/2 SOOW	NEMA 5-15	In-Line	1612S	130105-0036
	120V AC 60 Hz	12V AC	60W	16/3 SOOW	14/2 SOOW	NEMA 5-15	In-Line	1692-12B5	130105-0067

Replacement Parts

Description	Engineering No.	Order No.
Guard, Vinyl Coated	1668	130112-0130
Handle Assembly with Guard, No Switch	1660	130112-0128
Handle Assembly with Guard and Switch	1660S	130112-0129

Hand Lamps

Watertite® Wet Location

INCANDESCENT 75W, 100W

Features and Benefits

- Wet location rated hand lamps meet and exceed OSHA requirements for wet location use
- Options on guards and globe types ensure the correct configuration for the application

Specifications

Electrical	Voltage: 120V AC
	Bulb Size: A21 (not included)
	Switch: No
Physical	Handle Construction: Rubber for 1203 and 1207 series Thermoset polyester for 1220 series
Environmental	NEMA 4X
Reference Information	UL File No.: E59251 (only grounded guards and 1220) E59049 (1223, 1225 only) CSA File No.: LR85374 (except polycarbonate globe)



Grounded Guard	Quick Open Guard	Reflector	Insulated Guard	Guard Material	Globe Material	Cord Type	NEMA Configuration	Cord Length	Lamp Wattage (max.)	Engineering No.	Order No.
—	—	—	—	#8 Gauge Zinc-Plated Steel	Tempered Glass	—	—	—	100W	1203	130103-0014
Yes	—	—	—	#8 Gauge Zinc-Plated Steel	Tempered Glass	16/3 SOOW	NEMA 5-15	7.62m (25.00')	100W	1203A163	130103-0015
Yes	—	—	—	#8 Gauge Zinc-Plated Steel	Tempered Glass	16/3 SOOW	NEMA 5-15	15.24m (50.00')	100W	1203B163	130103-0016
Yes	—	—	—	#8 Gauge Zinc-Plated Steel	Tempered Glass	16/3 SOOW	NEMA 5-15	30.48m (100.00')	100W	1203D163	130103-0017
Yes	—	—	—	#8 Gauge Zinc-Plated Steel	Tempered Glass	—	—	—	100W	1203GC	130103-0018
Yes	—	—	—	#8 Gauge Zinc-Plated Steel	Tempered Glass	16/3 SOOW	NEMA 5-15	7.62m (25.00')	100W	1203GCA163	130103-0019
Yes	—	—	—	#8 Gauge Zinc-Plated Steel	Tempered Glass	16/3 SOOW	NEMA 5-15	15.24m (50.00')	100W	1203GCB163	130103-0020
—	—	—	Yes	#8 Gauge Zinc-Plated Steel	Tempered Glass	—	—	—	100W	1203I	130103-0021
Yes	—	—	Yes	#8 Gauge Zinc-Plated Steel	Tempered Glass	16/3 SOOW	NEMA 5-15	7.62m (25.00')	100W	1203IA163	130103-0022
Yes	—	—	Yes	#8 Gauge Zinc-Plated Steel	Tempered Glass	16/3 SOOW	NEMA 5-15	15.24m (50.00')	100W	1203IB163	130103-0024
Yes	—	—	Yes	#8 Gauge Zinc-Plated Steel	Tempered Glass	16/3 SOOW	NEMA 5-15	30.48m (100.00')	100W	1203ID163	130103-0026
Yes	—	—	Yes	#8 Gauge Zinc-Plated Steel	Tempered Glass	—	—	—	100W	1203IGC	130103-0027
—	Yes	—	—	#8 Gauge Zinc-Plated Steel	Tempered Glass	—	—	—	100W	1203QO	130103-0035
Yes	Yes	—	—	#8 Gauge Zinc-Plated Steel	Tempered Glass	16/3 SOOW	NEMA 5-15	7.62m (25.00')	100W	1203QOA163	130103-0036
Yes	Yes	—	—	#8 Gauge Zinc-Plated Steel	Tempered Glass	16/3 SOOW	NEMA 5-15	15.24m (50.00')	100W	1203QOB163	130103-0037
Yes	Yes	—	—	#8 Gauge Zinc-Plated Steel	Tempered Glass	—	—	—	100W	1203QOGC	130103-0038
—	—	Yes	—	#8 Gauge Zinc-Plated Steel	Tempered Glass	—	—	—	100W	1203R	130103-0041
Yes	—	Yes	—	#8 Gauge Zinc-Plated Steel	Tempered Glass	16/3 SOOW	NEMA 5-15	7.62m (25.00')	100W	1203RA163	130103-0042
Yes	—	Yes	—	#8 Gauge Zinc-Plated Steel	Tempered Glass	16/3 SOOW	NEMA 5-15	15.24m (50.00')	100W	1203RB163	130103-0044
Yes	—	Yes	—	#8 Gauge Zinc-Plated Steel	Tempered Glass	—	—	—	100W	1203RGC	130103-0048
—	—	Yes	Yes	#8 Gauge Zinc-Plated Steel	Tempered Glass	—	—	—	100W	1203RI	130103-0049
Yes	—	Yes	Yes	#8 Gauge Zinc-Plated Steel	Tempered Glass	16/3 SOOW	NEMA 5-15	7.62m (25.00')	100W	1203RIA163	130103-0050
Yes	—	Yes	Yes	#8 Gauge Zinc-Plated Steel	Tempered Glass	16/3 SOOW	NEMA 5-15	15.24m (50.00')	100W	1203RIB163	130103-0052
Yes	—	Yes	Yes	#8 Gauge Zinc-Plated Steel	Tempered Glass	16/3 SOOW	NEMA 5-15	30.48m (100.00')	100W	1203RID163	130103-0054
—	—	—	—	—	PTFE	—	—	—	100W	1220	130103-0064
—	—	—	—	—	PTFE	16/2 SOOW	NEMA 1-15	7.62m (25.00')	100W	1223	130103-0065
—	—	—	—	—	PTFE	16/2 SOOW	NEMA 1-15	15.24m (50.00')	100W	1225	130103-0066

Replacement Parts

Description	Engineering No.	Order No.
#8 Gauge Zinc-Plated Steel Guard	1255	130112-0111
#8 Gauge Zinc-Plated Steel Guard, With Reflector	1255R	130112-0114
#8 Gauge Zinc-Plated Steel Guard, Quick-Open	1259	130112-0119
Glass Globe	1253	130191-0086
Polycarbonate Globe	41-6762	130112-0186
PTFE Globe with Hook	1229	130112-0110

Hand Lamps

Watertite® Wet Location

FLUORESCENT 13W, 26W

Features and Benefits

- Wet location rated hand lamps meet and exceed OSHA requirements for wet location use
- Fluorescent hand lamps offer bright, diffused illumination but remain cool to the touch
- Fluorescent bulbs and rubber design provide added durability and safety

Specifications

Electrical	Voltage: 120V AC, 60 Hz NEMA Configuration: NEMA 5-15 Watertite plug
Physical	Switch: Yes Cord Type: 16/3 SJTOOW
Environmental	NEMA 4X
Reference Information	CSA File No.: LR85374



Lamp Wattage	Cord Length	Lumens	Lamp Type	Engineering No.	Order No.
13W	7.62m (25.0')	900	PL13/41	1913SA	130108-0170
13W	15.24m (50.0')	900	PL13/41	1913SB	130108-0173
26W	7.62m (25.0')	1800	PL-C 26/41/4P	1926SA	130108-0179
26W	15.24m (50.0')	1800	PL-C 26/41/4P	1926SB	130108-0181

Hand Lamps

Super-Safeway™ Industrial Duty

INCANDESCENT 100W MAX.

Features and Benefits

- The Super-Safeway line of hand lamps offers heavy-duty construction and long operating life in the most demanding operating applications
- Rubber handles and 8-gauge steel guards provide maximum protection for bulbs and electrical components
- Ergonomically designed fencer's flange handle helps protect users from accidentally touching a hot guard
- Available with or without a switch, outlet, quick-open or insulated guard, ensuring the correct configuration for the application

Specifications

Electrical	NEMA Configuration, Product with Plug or Outlet: NEMA 5-15 Voltage: 240V max.
Physical	Bulb Size: A21 (not included) Handle Construction: Rubber Guard Material: 8-gauge zinc-plated steel Guard Style: Closed end, 75-100W with reflector
Reference Information	UL File No.: E59251



Handle Assembly				Guard				Complete Light				
Outlet	Switch	Replacement Handle Assembly		Guard Style	Insulated Guard	Replacement Guard		Cord Type	Cord Length	Engineering No.	Order No.	
		Engineering No.	Order No.			Engineering No.	Order No.					
None	Yes	1174	130102-0207	Quick Open	—	1166	130112-0105	—	—	105S	130102-0083	
		1174	130102-0207	Quick Open	—	1166	130112-0105	16/3 SOOW	7.62m (25.00')	105SA163	130102-0084	
		1174	130102-0207	Quick Open	—	1166	130112-0105	16/3 SOOW	15.24m (50.00')	105SB163	130102-0085	
		1174	130102-0207	Screw Release	—	1156	130112-0085	—	—	106S	130102-0101	
		1174	130102-0207	Screw Release	—	1156	130112-0085	16/3 SOOW	7.62m (25.00')	106SA163	130102-0102	
		1174	130102-0207	Screw Release	—	1156	130112-0085	16/3 SOOW	15.24m (50.00')	106SB163	130102-0103	
		1174	130102-0207	Screw Release	Yes	1156G	130112-0087	—	—	106SI	130102-0106	
		1174	130102-0207	Screw Release	Yes	1156G	130112-0087	16/3 SOOW	15.24m (50.00')	106SIB163	130102-0107	
		1173	130102-0204	Quick Open	—	1166	130112-0105	—	—	105	130102-0080	
		1173	130102-0204	Quick Open	—	1166	130112-0105	16/3 SOOW	7.62m (25.00')	105A163	130102-0081	
	No	No	1173	130102-0204	Quick Open	—	1166	130112-0105	16/3 SOOW	15.24m (50.00')	105B163	130102-0082
			1173	130102-0204	Screw Release	—	1156	130112-0085	—	—	106	130102-0095
			1173	130102-0204	Screw Release	—	1156	130112-0085	16/3 SOOW	7.62m (25.00')	106A163	130102-0096
			1173	130102-0204	Screw Release	—	1156	130112-0085	16/3 SOOW	15.24m (50.00')	106B163	130102-0097
			1173	130102-0204	Screw Release	Yes	1156G	130112-0087	—	—	106I	130102-0098
			1173	130102-0204	Screw Release	Yes	1156G	130112-0087	16/3 SOOW	7.62m (25.00')	106IA163	130102-0099
			1173	130102-0204	Screw Release	Yes	1156G	130112-0087	16/3 SOOW	15.24m (50.00')	106IB163	130102-0100
			1173	130102-0204	Screw Release	Yes	1156G	130112-0087	16/3 SOOW	15.24m (50.00')	106IB163	130102-0100
	Side	Yes	1175US	130102-0211	Quick Open	—	1166	130112-0105	—	—	105US	130102-0090
			1175US	130102-0211	Quick Open	—	1166	130112-0105	16/3 SOOW	7.62m (25.00')	105USA163	130102-0091
1175US			130102-0211	Quick Open	—	1166	130112-0105	16/3 SOOW	15.24m (50.00')	105USB163	130102-0093	
1175US			130102-0211	Screw Release	—	1156	130112-0085	—	—	106US	130102-0114	
1175US			130102-0211	Screw Release	—	1156	130112-0085	16/3 SOOW	7.62m (25.00')	106USA163	130102-0117	
1175US			130102-0211	Screw Release	—	1156	130112-0085	16/3 SOOW	15.24m (50.00')	106USB163	130102-0120	
1175US			130102-0211	Screw Release	Yes	1156G	130112-0087	—	—	106USI	130102-0123	
1175US			130102-0211	Screw Release	Yes	1156G	130112-0087	16/3 SOOW	7.62m (25.00')	106USIA163	130102-0124	
1175US			130102-0211	Screw Release	Yes	1156G	130112-0087	16/3 SOOW	15.24m (50.00')	106USIB163	130102-0125	
No			No	1175U	130102-0210	Quick Open	—	1166	130112-0105	—	—	105U
		1175U		130102-0210	Quick Open	—	1166	130112-0105	16/3 SOOW	7.62m (25.00')	105UA163	130102-0087
		1175U		130102-0210	Quick Open	—	1166	130112-0105	16/3 SOOW	15.24m (50.00')	105UB163	130102-0088
		1175U		130102-0210	Screw Release	—	1156	130112-0085	—	—	106U	130102-0108
		1175U		130102-0210	Screw Release	—	1156	130112-0085	16/3 SOOW	7.62m (25.00')	106UA163	130102-0109
		1175U		130102-0210	Screw Release	—	1156	130112-0085	16/3 SOOW	15.24m (50.00')	106UB163	130102-0110
		1175U		130102-0210	Screw Release	Yes	1156G	130112-0087	—	—	106UI	130102-0111
		1175U		130102-0210	Screw Release	Yes	1156G	130112-0087	16/3 SOOW	7.62m (25.00')	106UIA163	130102-0112
		1175U		130102-0210	Screw Release	Yes	1156G	130112-0087	16/3 SOOW	15.24m (50.00')	106UIB163	130102-0113

Hand Lamps

Super-Safeway™ Industrial Duty

INCANDESCENT, 100W MAX.

Features and Benefits

- The Super-Safeway line of hand lamps offers heavy-duty construction and long operating life in the most demanding operating applications
- Unique quick-open nylon guard runs cooler than standard metal guards
- Available with or without switch or outlet, ensuring the correct configuration for the application

Specifications

Electrical	NEMA Configuration, Product with Plug or Outlet: NEMA 5-15 Voltage: 240V max.
Physical	Bulb Size: A21 (not included) Handle Construction: Rubber Guard Material: Nylon Guard Style: Closed end, 75–100W, quick open
Reference Information	UL File No.: E59251



Outlet	Switch	Replacement Handle Assembly		Replacement Guard		Complete Light			
		Engineering No.	Order No.	Engineering No.	Order No.	Cord Type	Cord Length	Engineering No.	Order No.
None	No	1173	130102-0204	1168	130112-0106	—	—	118	130102-0212
		1173	130102-0204	1168	130112-0106	16/3 SOOW	7.62m (25.00')	118A163	130102-0213
		1173	130102-0204	1168	130112-0106	16/3 SOOW	15.24m (50.00')	118B163	130102-0214
	Yes	1174	130102-0207	1168	130112-0106	—	—	118S	130102-0215
		1174	130102-0207	1168	130112-0106	16/3 SOOW	7.62m (25.00')	118SA163	130102-0216
		1174	130102-0207	1168	130112-0106	16/3 SOOW	15.24m (50.00')	118SB163	130102-0217
Side	No	1175U	130102-0210	1168	130112-0106	16/3 SOOW	15.24m (50.00')	118UB163	130102-0221
		1175US	130102-0211	1168	130112-0106	—	—	118US	130102-0222
	Yes	1175US	130102-0211	1168	130112-0106	16/3 SOOW	7.62m (25.00')	118USA163	130102-0223
		1175US	130102-0211	1168	130112-0106	16/3 SOOW	15.24m (50.00')	118USB163	130102-0224

Hand Lamps

Super-Safeway™ Industrial Duty

INCANDESCENT, 100W MAX.

Features and Benefits

- The Super-Safeway line of hand lamps offers heavy-duty construction and long operating life in the most demanding operating applications
- Rubber handles and 8-gauge steel guards provide maximum protection for bulbs and electrical components
- Ergonomically designed fencer's flange handle helps protect users from accidentally touching a hot guard
- Available with or without a switch, outlet or reflector, ensuring the correct configuration for the application

Specifications

Electrical	NEMA Configuration, Product with Plug or Outlet: NEMA 5-15 Voltage: 240V max.
Physical	Bulb Size: A21 (not included) Handle Construction: Rubber Guard Material: 8-gauge zinc-plated steel Guard Style: Open end, 75-100W
Reference Information	UL File No.: E59251



Handle Assembly				Guard			Complete Light			
Outlet	Switch	Replacement Handle Assembly		Reflector	Replacement Guard		Cord Type	Cord Length	Engineering No.	Order No.
		Engineering No.	Order No.		Engineering No.	Order No.				
None	No	1173	130102-0204	—	1160	130112-0092	—	—	110	130102-0138
		1173	130102-0204	Yes	1164	130112-0099	—	—	114	130102-0167
		1173	130102-0204	Yes	1164	130112-0099	16/3 SOOW	7.62m (25.00')	114A163	130102-0168
		1173	130102-0204	Yes	1164	130112-0099	16/3 SOOW	15.24m (50.00')	114B163	130102-0169
Side	No	1175U	130102-0210	—	1160	130112-0092	—	—	110U	130102-0140
		1175U	130102-0210	—	1160	130112-0092	16/3 SOOW	7.62m (25.00')	110UA163	130102-0141
		1175U	130102-0210	—	1160	130112-0092	16/3 SOOW	15.24m (50.00')	110UB163	130102-0142
		1175U	130102-0210	Yes	1164	130112-0099	—	—	114U	130102-0171
		1175U	130102-0210	Yes	1164	130112-0099	16/3 SOOW	7.62m (25.00')	114UA163	130102-0172
		1175U	130102-0210	Yes	1164	130112-0099	16/3 SOOW	15.24m (50.00')	114UB163	130102-0173
	Yes	1175US	130102-0211	—	1160	130112-0092	—	—	110US	130102-0143
		1175US	130102-0211	Yes	1164	130112-0099	—	—	114US	130102-0177
		1175US	130102-0211	Yes	1164	130112-0099	16/3 SOOW	7.62m (25.00')	114USA163	130102-0178
		1175US	130102-0211	Yes	1164	130112-0099	16/3 SOOW	15.24m (50.00')	114USB163	130102-0180

Hand Lamps

Super-Safeway™ Industrial Duty

INCANDESCENT 300W MAX.

Features and Benefits

- The Super-Safeway line of hand lamps offers heavy-duty construction and long operating life in the most demanding operating applications
- Rubber handles and 8-gauge steel guards provide maximum protection for bulbs and electrical components
- Ergonomically designed fencer's flange handle helps protect users from accidentally touching a hot guard
- Available with or without switch, outlet, reflector or insulated guard, ensuring the correct configuration for the application



Specifications

Electrical	NEMA Configuration, Product with Plug or Outlet: NEMA 5-15 Voltage: 240V max.
Physical	Bulb Size: A23 (not included) Handle Construction: Rubber Guard Material: 8-gauge zinc-plated steel Guard Style: Open end, 300W
Reference Information	UL File No.: E59251



Handle Assembly				Guard				Complete Light				
Outlet	Switch	Replacement Handle Assembly		Reflector	Insulated Guard	Replacement Guard		Cord Type	Cord Length	Engineering No.	Order No.	
		Engineering No.	Order No.			Engineering No.	Order No.					
None	No	1173	130102-0204	—	—	1161	130112-0095	—	—	111	130102-0145	
		1173	130102-0204	—	—	1161	130112-0095	16/3 SOOW	7.62m (25.00')	111A163	130102-0146	
		1173	130102-0204	—	—	1161	130112-0095	16/3 SOOW	15.24m (50.00')	111B163	130102-0148	
		1173	130102-0204	Yes	—	1165	130112-0102	—	—	115	130102-0185	
		1173	130102-0204	Yes	Yes	1165G	130112-0104	—	—	115I	130102-0189	
		1173	130102-0204	Yes	—	1165	130112-0102	16/3 SOOW	15.24m (50.00')	115B163	130102-0188	
	1173	130102-0204	Yes	Yes	1165G	130112-0104	16/3 SOOW	15.24m (50.00')	115B163	130102-0190		
	Yes	1174	130102-0207	—	—	1161	130112-0095	—	—	111S	130102-0153	
Side	No	1175U	130102-0210	—	—	1161	130112-0095	—	—	111U	130102-0158	
		1175U	130102-0210	—	—	1161	130112-0095	16/3 SOOW	7.62m (25.00')	111UA163	130102-0159	
		1175U	130102-0210	—	—	1161	130112-0095	16/3 SOOW	15.24m (50.00')	111UB163	130102-0160	
		1175U	130102-0210	Yes	—	1165	130112-0102	—	—	115U	130102-0192	
		1175U	130102-0210	Yes	—	1165	130112-0102	—	—	115UI	130102-0196	
		1175U	130102-0210	Yes	—	1165	130112-0102	16/3 SOOW	7.62m (25.00')	115UA163	130102-0193	
	Yes	Yes	1175U	130102-0210	Yes	—	1165	130112-0104	16/3 SOOW	15.24m (50.00')	115UB163	130102-0194
			1175US	130102-0211	—	—	1161	130112-0095	—	—	111US	130102-0164
			1175US	130102-0211	—	—	1161	130112-0095	16/3 SOOW	7.62m (25.00')	111USA163	130102-0165
			1175US	130102-0211	Yes	—	1165	130112-0102	—	—	115US	130102-0198
			1175US	130102-0211	Yes	—	1165	130112-0102	—	—	115USI	130102-0201
			1175US	130102-0211	Yes	—	1165	130112-0102	16/3 SOOW	7.62m (25.00')	115USA163	130102-0199
		1175US	130102-0211	Yes	Yes	1165G	130112-0104	16/3 SOOW	7.62m (25.00')	115USIA163	130102-0202	
		1175US	130102-0211	Yes	—	1165	130112-0102	16/3 SOOW	15.24m (50.00')	115USB163	130102-0200	
		1175US	130102-0211	Yes	Yes	1165G	130112-0104	16/3 SOOW	15.24m (50.00')	115USIB163	130102-0203	

Hand Lamps

Super-Safeway™ Industrial Duty

INCANDESCENT PAR38 BULB

Features and Benefits

- The Super-Safeway line of hand lamps offers heavy-duty construction and long operating life in the most demanding operating applications
- Rubber handles and 8-gauge steel guards provide maximum protection for bulbs and electrical components
- Ergonomically designed fencer's flange handle helps protect users from accidentally touching a hot guard
- Available with or without a switch or outlet, ensuring the correct configuration for the application

Specifications

Electrical	NEMA Configuration, Product with Plug or Outlet: NEMA 5-15 Voltage: 240V max.
Physical	Bulb Size: PAR38 (not included) Handle Construction: Rubber Guard Material: 8-gauge zinc-plated steel Guard Style: Open end, PAR38



Handle Assembly				Guard		Complete Light			
Outlet	Switch	Replacement Handle Assembly		Replacement Guard		Cord Type	Cord Length	Engineering No.	Order No.
		Engineering No.	Order No.	Engineering No.	Order No.				
None	No	1173	130102-0204	1181	130112-0108	—	—	119	130102-0226
		1173	130102-0204	1181	130112-0108	16/3 SOOW	7.62m (25.00')	119A163	130102-0227
		1173	130102-0204	1181	130112-0108	16/3 SOOW	15.24m (50.00')	119B163	130102-0228
	Yes	1174	130102-0207	1181	130112-0108	—	—	119S	130102-0229
		1174	130102-0207	1181	130112-0108	16/3 SOOW	7.62m (25.00')	119SA163	130102-0230
		1175US	130102-0211	1181	130112-0108	—	—	119US	130102-0234
Side	Yes	1175US	130102-0211	1181	130112-0108	16/3 SOOW	7.62m (25.00')	119USA163	130102-0235
	No	1175U	130102-0210	1181	130112-0108	16/3 SOOW	15.24m (50.00')	119UB163	130102-0233

Hand Lamps

Super-Safeway™ Industrial Duty

FLUORESCENT 4W, 8W, 15W, 30W

Features and Benefits

- Fluorescent hand lamps offer bright, diffused illumination but remain cool to the touch
- Fluorescent bulbs and rubber design provide added durability and safety
- Dual hooks provide additional options for mounting

Specifications

Electrical	NEMA Configuration: NEMA 5-15 Voltage: 120V 60 Hz
Physical	Handle Construction: Rubber Cord Type: 18/3 SJTW
Reference Information	UL File No.: E59049 (1003-3 and 1005-3 only) CSA File No.: LR85374 (1013-3 only)



Switch	Lamp Wattage	Ballast Location	Cord Length	Lumens	Lamp Type	Engineering No.	Order No.
No	4W	Cord	5.49m (18.00')	95	F4/T5	1045	130108-0091
	8W	Cord	5.49m (18.00')	300	F8/T5	1049	130108-0092
Yes	15W	Handle	7.62m (25.00')	910	F15/T8	1003-3	130108-0078
		Handle	15.24m (50.00')	910	F15/T8	1005-3	130108-0083
	30W	Cord	7.62m (25.00')	2000	F30/T8	1013-3	130108-0085
		Cord	15.24m (50.00')	2000	F30/T8	1015-3	130108-0088

Hand Lamps

Super-Safeway™ Industrial Duty

FLUORESCENT 13W, 27W, 40W

Features and Benefits

- Fluorescent hand lamps offer bright, diffused illumination but remain cool to the touch
- Fluorescent bulbs and rubber design provide added durability and safety

Specifications

Physical	Handle Construction: Rubber Guard Material: Butyrate
Reference Information	UL File No.: E59049 (only 120V AC 60 Hz with switch and ballast in handle) CSA File No.: LR85374 (109x-3 only)



Switch	Fixture Voltage	Lamp Wattage	Cord Type	Ballast Location	NEMA Configuration	Cord Length	Lumens	Lamp Type	Engineering No.	Order No.
No	120V AC 60 Hz	13W	16/3 SJTOW	Handle	NEMA 5-15	7.62m (25.00')	900	PL13/41	1086-3NS	130108-0134
			18/3 SJTOOW	Cord	NEMA 5-15	7.62m (25.00')			1083-3NS	130108-0122
Yes	120V AC 60 Hz	13W	16/3 SJTOW	Handle	NEMA 5-15	7.62m (25.00')	1800	PL-L27/41	1086-3	130108-0128
					NEMA 5-15	15.24m (50.00')			1087-3	130108-0136
			18/3 SJTOOW	Cord	NEMA 5-15	7.62m (25.00')			1083-3	130108-0106
					NEMA 5-15	15.24m (50.00')			1085-3	130108-0125
	120V AC 60 Hz	27W	18/3 SJTOOW	Cord	NEMA 5-15	7.62m (25.00')	3150	PL-L40/41	1093-3	130108-0139
					NEMA 5-15	15.24m (50.00')			1095-3	130108-0143
					NEMA 5-15	7.62m (25.00')			1097-3	130108-0144
					NEMA 5-15	15.24m (50.00')			1099-3	130108-0149

Replacement Parts		
Description	Engineering No.	Order No.
13W Replacement Lamp	34-0350	130191-0021
27W Replacement Lamp	34-0130	130191-0036
40W Replacement Lamp	34-0120	130191-0035
1083-3 with Switch, Head Only	1083-3HON	130112-0068
1086-3 with Switch and Ballast, Head Only	1086-3HO	130108-0133
Shield Assembly for 13W Lights	40-1040	130112-0176

Hand Lamps

Safeway® Commercial Duty

INCANDESCENT 100W MAX.

Features and Benefits

- Phenolic handle and 8-gauge steel guard provide rugged protection for bulb and electrical components
- Available with or without a switch, outlet or quick-open guard ensuring the correct configuration for the application

Specifications

Electrical	NEMA Configuration, Product with Plug or Outlet: NEMA 5-15 Voltage: 240V max.
Physical	Bulb Size: A21 (not included) Handle Construction: Phenolic Guard Material: 8-gauge zinc-plated steel Guard Style: Closed end, 75–100W with reflector
Reference Information	UL File No.: E59251 CSA File No.: LR85374 (screw release guard versions only)



Handle Assembly				Guard			Complete Light			
Outlet	Switch	Replacement Handle Assembly		Guard Style	Replacement Guard		Cord Type	Cord Length	Engineering No.	Order No.
		Engineering No.	Order No.		Engineering No.	Order No.				
None	Yes	270-1	130102-0245	Quick Open	1166	130112-0105	—	—	276S	130102-0266
		270-1	130102-0245		1166	130112-0105	16/3 SJTOW	15.24m (50.0')	276SB163	130102-0268
		270-1	130102-0245	Screw Release	1156	130112-0085	—	—	271S	130102-0252
		270-1	130102-0245		1156	130112-0085	16/3 SJTOW	7.62m (25.0')	271SA163	130102-0253
		270-1	130102-0245		1156	130112-0085	16/3 SJTOW	15.24m (50.0')	271SB163	130102-0254
Side	No	270-2	130102-0246	Quick Open	1166	130112-0105	—	—	276U	130102-0269
		270-2	130102-0246		1166	130112-0105	16/3 SJTOW	7.62m (25.0')	276UA163	130102-0270
		270-2	130102-0246	Screw Release	1156	130112-0085	—	—	271U	130102-0256
		270-2	130102-0246		1156	130112-0085	16/3 SJTOW	7.62m (25.0')	271UA163	130102-0257
		270-2	130102-0246		1156	130112-0085	16/3 SJTOW	15.24m (50.0')	271UB163	130102-0258
		Yes	Quick Open	270-3	130102-0247	1166	130112-0105	—	—	276US
	270-3			130102-0247	1166	130112-0105	16/3 SJTOW	7.62m (25.0')	276USA163	130102-0273
	270-3			130102-0247	1166	130112-0105	16/3 SJTOW	15.24m (50.0')	276USB163	130102-0274
	Screw Release		270-3	130102-0247	1156	130112-0085	—	—	271US	130102-0259
			270-3	130102-0247	1156	130112-0085	16/3 SJTOW	7.62m (25.0')	271USA163	130102-0260
			270-3	130102-0247	1156	130112-0085	16/3 SJTOW	15.24m (50.0')	271USB163	130102-0261
			270-3	130102-0247	1156	130112-0085	16/3 SJTOW	15.24m (50.0')	271USB163	130102-0261

Hand Lamps

Safeway® Commercial Duty

INCANDESCENT 100W MAX.

Features and Benefits

- Nylon handle with switch and outlet provides convenience
- Quick-open guard makes bulb changes quick and easy

Specifications

Electrical	NEMA Configuration: NEMA 5-15 Voltage: 120V AC 60Hz
Physical	Bulb Size: A21 (not included) Handle Construction: Nylon Guard Material: 10-gauge zinc-plated steel Guard Style: Quick open with reflector Cord Type: 16/3 SJTOW Outlet: Yes Switch: Yes
Reference Information	UL File No.: E59049



Cord Length	Engineering No.	Order No.
7.62m (25.0')	402	130109-0007
15.24m (50.0')	405	130109-0009

Hand Lamps

Pro-Yellow® Commercial Duty & General Duty

INCANDESCENT 150W MAX. COMMERCIAL DUTY

Features and Benefits

- Rating of 150W allows for maximum light output for demanding applications
- Elastomeric grips on handle improve comfort during use

Specifications

Electrical	NEMA Configuration: NEMA 5-15 Voltage: 120V AC 60 Hz
Physical	Bulb Size: A21 (not included) Handle Construction: Nylon Guard Material: 10-gauge Zinc-plated Steel Guard Style: Quick open with reflector Cord Type: 16/3 SJTW Outlet: Yes Switch: Yes
Reference Information	UL File No.: E59049



Cord Length	Engineering No.	Order No.
7.62m (25.0')	WT6C-25	130109-0026
15.24m (50.0')	WT6C-50	130109-0027

INCANDESCENT 100W MAX. GENERAL DUTY

Features and Benefits

- Hide-away guard rotates for easy bulb changes
- All-plastic guard runs cooler than metal guards
- Elastomeric grips on handle improve comfort during use

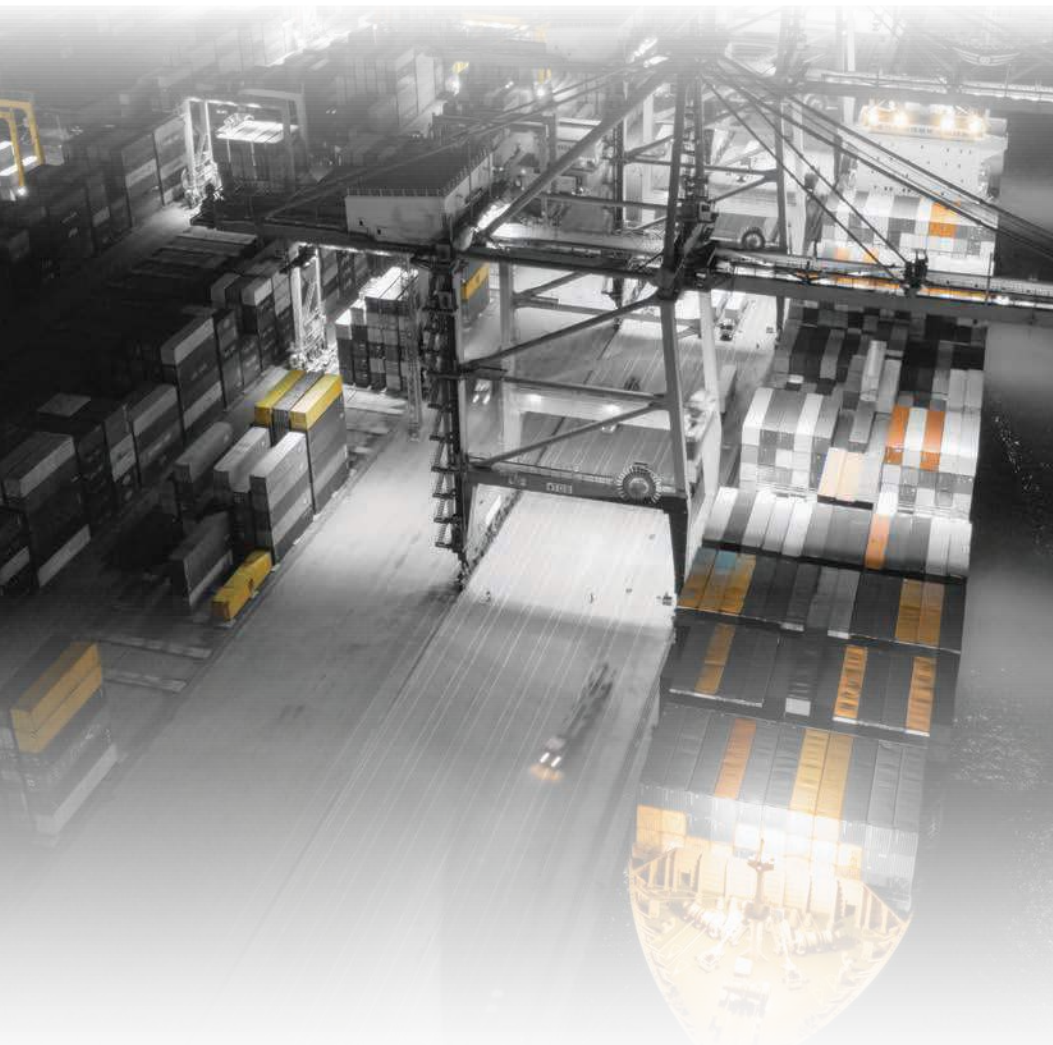
Specifications

Electrical	NEMA Configuration: NEMA 5-15 Voltage: 120V AC 60 Hz
Physical	Bulb Size: A21 (not included) Handle Construction: Nylon Guard Material: Polypropylene Guard Style: Hide-away Cord Type: 18/3 SJTW Outlet: No Switch: Yes
Reference Information	UL File No.: E59049



Cord Length	Engineering No.	Order No.
6.10m (20.0')	WT3C-20	130109-0017

Wide-Area Lighting



Applications

- Manufacturing
- Shipyards
- Construction site lighting
- Utility plant shut downs
- Maintenance and repair operations (MRO)

Woodhead® wide-area lighting products offer an extensive range of portable lighting solutions suitable for rugged and harsh applications for wet and industrial environments.

The need for temporary wide-area lighting can arise in virtually any application. Woodhead offers the largest array of portable lighting fixtures and varieties of light sources to meet any lighting need. The combination of connection methods, application styles and environmental certifications ensures these products will meet the requirements of nearly any wide-area lighting application.



Wide Area Lights

Industrial Duty

TUBE LIGHT LED 40W, 72W INDUSTRIAL DUTY

Features and Benefits

- Includes adjustable nylon strap for mounting convenience
- Rubber end caps and reinforced channel ensure durability
- Low power consumption allows multiple fixtures to be powered by a single outlet (for feed-through versions)



Specifications

Electrical	Fixture Voltage: 120V AC
	NEMA Configuration, Plug and Connector: Watertite NEMA 5-15
Physical	Switch: No
	Cord Type: 16/3 SOOW
	Construction: Rubber end caps and butyrate shields
Reference Information	Lamps Qty: 4 LED lamps per fixture (included)
	UL File No.: E174254



Lamp Length	Fixture Wattage	Primary Cord Length	Feed-Thru Cord Length	Receptacle Max. Load	Engineering No.	Order No.
1.22m (4.0')	72W	7.62m (25.0')	—	—	2000LED	130108-0300
1.22m (4.0')	72W	7.62m (25.0')	0.15m (6.0")	11A	2001LED	130108-0301
1.22m (4.0')	72W	1.22m (4.0')	0.15m (6.0")	11A	2002LED	130108-0302
1.22m (4.0')	72W	1.22m (4.0')	—	—	2003LED	130108-0303
0.61m (2.0')	40W	7.62m (25.0')	—	—	2010LED	130108-0304
0.61m (2.0')	40W	7.62m (25.0')	0.15m (6.0")	11A	2011LED	130108-0305
0.61m (2.0')	40W	1.22m (4.0')	0.15m (6.0")	11A	2012LED	130108-0306
0.61m (2.0')	40W	1.22m (4.0')	—	—	2013LED	130108-0307

Wide Area Lights

Industrial Duty

TUBE LIGHT FLUORESCENT 80W, 128W

Features and Benefits

- Rubber end caps and bumpers provide protection for the light during transport and use
- Up to 128W in a portable fixture provides maximum lighting wherever needed
- Hook-and-loop mounting strap included for mounting convenience

Specifications

Electrical	NEMA Configuration, Plug and Connector: NEMA 5-15 Switch: No
Physical	Construction: Rubber end caps and butyrate shields Cord Type: 16/3 SOOW Fixture length: 95.6cm (37.6") for 80W 173.4cm (68.3") for 128W
Reference Information	UL File No.: E174254 CSA File No.: LR85374



Outlet	Fixture Voltage (max.)	Fixture Wattage (max.)	Cord Length		Lumens	Lamp Type	Engineering No.	Order No.
			Primary	Secondary				
None	120V AC 60 Hz	80W	7.62m (25.00')	—	6300	PL-L 40/41	2030	130108-0199
	120V AC 60 Hz	128W	0.91m (3.00')	—	11400	F32/T8	2003	130108-0194
	120V AC 60 Hz	128W	7.62m (25.00')	—	11400	F32/T8	2000	130108-0187
Feed-through	120V AC 60 Hz	80W	7.62m (25.00')	0.152m (6.00")	6300	PL-L 40/41	2031	130108-0202
	120V AC 60 Hz	128W	1.22m (4.00')	0.152m (6.00")	11400	F32/T8	2002	130108-0193
	120V AC 60 Hz	128W	7.62m (25.00')	0.152m (6.00")	11400	F32/T8	2001	130108-0191

FLUORESCENT 30W, 64W, 80W, 160W

Features and Benefits

- Rubber end caps and reinforced center channel make this the most durable temporary fluorescent fixture on the market
- Multiple lamp wattages and fixture sizes mean the right light for the job
- Feed-through options make stringing multiple lights together quick and easy

Specifications

Electrical	Fixture Voltage: 120V 60 Hz max. NEMA Configuration, Plug and Connector: NEMA 5-15 Watertite®
Physical	Switch: No Construction: Rubber end caps and butyrate shields Cord Type: 16/3 SJOOV
Reference Information	UL File No.: E174254 (except 1060 series)



Outlet	Fixture Wattage (max.)	Cord Length		Lumens	Lamp Type	Fixture Length	Engineering No.	Order No.
		Primary	Secondary					
None	30W	7.62m (25.0')	—	1820	F15/T8	62.5cm (24.6")	1324	130108-0151
	64W	7.62m (25.0')	—	5700	F32/T8	138.8cm (54.6")	1350	130108-0162
	80W	7.62m (25.0')	—	6300	PL-L 40/41	77.2cm (30.4")	1050-PL	130108-0094
	160W	7.62m (25.0')	—	12600	PL-L 40/41	138.8cm (54.6")	1060-PL	130108-0103
Feed-through	30W	1.22m (4.0')	0.152m (6.00")	1820	F15/T8	62.5cm (24.6")	1335	130108-0157
	30W	7.62m (25.0')	0.152m (6.00")	1820	F15/T8	62.5cm (24.6")	1334	130108-0156
	64W	1.22m (4.0')	0.152m (6.00")	5700	F32/T8	138.8cm (54.6")	1352	130108-0167
	64W	7.62m (25.0')	0.152m (6.00")	5700	F32/T8	138.8cm (54.6")	1351	130108-0164
	80W	1.22m (4.0')	0.152m (6.00")	6300	PL-L 40/41	77.2cm (30.4")	1052-PL	130108-0101
	80W	7.62m (25.0')	0.152m (6.00")	6300	PL-L 40/41	77.2cm (30.4")	1051-PL	130108-0098
	160W	1.22m (4.0')	0.152m (6.00")	12600	PL-L 40/41	138.8cm (54.6")	1062-PL	130108-0105
	160W	7.62m (25.0')	0.152m (6.00")	12600	PL-L 40/41	138.8cm (54.6")	1061-PL	130108-0104

Wide Area Lights

Wet Location

LED LIGHT 40W WET LOCATION

Features and Benefits

- Heavy-duty mounting magnets mean easy installation on many metal surfaces
- Feed-through connector option makes it easy to string together multiple lights in a large area
- LED technology for efficiency and long life

Specifications

Electrical	Fixture Voltage: 120V AC 60 Hz NEMA Configuration: NEMA 5-15 (Watertite® connector on feed-through outlet)
Physical	Switch: No LED: 2700 total lumens, 5000K Cord Type: 16/3 SJTOW Construction: Cast aluminum housing and polycarbonate lens with heavy-duty mounting magnet
Environmental	Rating: Suitable for wet locations
Reference Information	UL File No.: E174254



Outlet	Lamp Wattage	Cord length		Engineering No.	Order No.
		Primary	Secondary		
None	2 x 20W	3.04m (10.0')	—	8565-LED	130110-0060
Feed-Through	2 x 20W	3.04m (10.0')	0.152m (6.0")	8565F-LED	130110-0061

Replacement Parts		
Description	Engineering No.	Order No.
Replacement Lens	37-8574	130185-0471
Replacement Magnet	130112-0263	130112-0263

HID LIGHTING 70W

Features and Benefits

- Heavy-duty mounting magnets mean easy installation on many metal surfaces
- Feed-through connector option makes it easy to string together multiple lights in a large area
- Choice of metal halide or high-pressure sodium provides the desired lighting for the application

Specifications

Electrical	Fixture Voltage: 120V AC//60 Hz NEMA Configuration: NEMA 5-15 (Watertite® connector on feed-through outlet)
Physical	Switch: No Cord Type: 16/3 SJTOW Construction: Cast aluminum housing and polycarbonate lens with heavy-duty mounting magnet
Environmental	Rating: Suitable for wet locations
Reference Information	UL File No.: E174254



Outlet	Lamp Type	Lamp Wattage	Cord length		Engineering No.	Order No.
			Primary	Secondary		
Feed-through	HPS	70W	3.04m (10.0')	0.305m (1.00')	8565F	130110-0033
	MH70		3.04m (10.0')	0.305m (1.00')	8565F-MH	130110-0034
None	HPS		3.04m (10.0')	—	8565	130110-0031
	MH70		3.04m (10.0')	—	8565-MH	130110-0035

Replacement Parts		
Description	Engineering No.	Order No.
Replacement Lens — 8565 Series	37-8574	130185-0471
Replacement Magnet — 8565 Series	130112-0263	130112-0263

Wide Area Lights

Industrial & Commercial Duty

HIGH BAY METAL HALIDE 400W

Features and Benefits

- 400W metal halide bulb provides economical, efficient temporary lighting on commercial, industrial and residential construction sites
- Type "O" lamp and mogul socket complies with NEC 2005 and ANSI C78.387 to prevent the use of lamps without filament protection and increases job safety
- Spring-loaded hook and molded cordset allow for quick installation on the job site
- Knock-outs on the wiring compartment provide easy feed-through connections or for connection to alternate power sources

Specifications

Electrical	Fixture Voltage: 120V/60 Hz (with quad-tap ballast for 120V/208V/240V/277V, 60 Hz hardwiring) NEMA Configuration, Plug: NEMA 5-15
Physical	Switch: No Cord Type: 18/3 SJTW, 3' long with molded plug Construction: 10-gauge plated wire guard, spring-loaded hook, type O lamp and mogul socket included
Environmental	Rating: Suitable for damp locations
Reference Information	UL File No.: E174253 (8575-MH for use in Canada only)



Lamp Type	Lumens	Engineering No.	Order No.
BT37/ED-37 Type O	36000	8575-MH	130110-0038
BT37/ED-37 Type O	36000	8575-MH-PS	130110-0050

Replacement Parts		
Description	Engineering No.	Order No.
Wire Lamp Guard	50-8575	130112-0196
Wire Frame Guard Cover (Bottom)	50-8578	130201-0750

Machine Lights

Industrial Duty

FLUORESCENT 13W, 27W, 40W

Features and Benefits

- Three different lamp wattages provide the right amount of light for the application
- Fixed mount or temporary magnet mounting provide flexibility to fit different machines

Specifications

Physical Switch: Yes
 Construction: Rubber end caps and butyrate shields
 Cord Length: 4.57m (15.0')

Reference Information UL File No.: E174254 (except 24V rated product)



Mount Type	Primary Fixture Voltage	Lamp Wattage	Cord Type	NEMA Configuration	Lamp Type	Engineering No.	Order No.
Magnetic Bracket	120V AC 60 Hz	13W	18/3 SJTOOW	NEMA 5-15	PL13/41	1083-3MM	130108-0120
		27W	18/3 SJTOOW	NEMA 5-15	PL-L 27/41	1093-3MM	130108-0142
		40W	18/3 SJTOOW	NEMA 5-15	PL-L 40/41	1097-3MM	130108-0148
Screw Bracket	120V AC 60 Hz	13W	18/3 SJTOOW	NEMA 5-15	PL13/41	1083-3M	130108-0119
		27W	18/3 SJTOOW	NEMA 5-15	PL-L 27/41	1093-3M	130108-0141
		40W	18/3 SJTOOW	NEMA 5-15	PL-L 40/41	1097-3M	130108-0146

Stringlights



Applications

- Construction site lighting
- Refinery shut-down lighting
- Shipyards
- Staging areas
- Utility plant shut downs
- Carnivals and festivals

Ideal for lighting large areas, Woodhead stringlights are constructed for quick installation in a wide range of industrial settings. Easy-to-replace repair parts assure quick, convenient serviceability. Heavy-duty guards protect bulbs and electrical components, prolonging service life and reducing maintenance frequency and costs. Available in many standard configurations, these stringlights can be modified to accommodate specific needs and to meet electrical current demands.



Stringlights

Haztex® Hazardous Location & Watertite® Wet Location

100W, 26W 12/3 SOOW HAZARDOUS LOCATION

Features and Benefits

- The only portable, hazardous-duty stringlight that is third-party certified as a complete assembly for use in hazardous areas
- Strings include 7.62m (25') lead to allow for connection to power outside of the hazardous area
- Cord is 600V rated and drops are molded rubber for the highest level of durability

Specifications

Electrical	NEMA Plug Configuration: NEMA 5-15 Voltage: 120V AC, 60 Hz Cords: 12/3 SOOW with 14/3 SOOW drops
Physical	Drop Spacing: 3.05m (10') intervals Fixture: Uses 61430 (incandescent) or 1090-HZ (fluorescent) hand lamps Tee Drop Construction: Rubber molded
Environmental	NEMA Rating: NEMA 4X CSA File No.: LR39801
Reference Information	Hazardous Locations: Class I, Division I, Groups C and D Class II, Division I, Groups F and G Class I, Zone 1, Group IIB



Bulb Type	Lamp Wattage	Lamp Type	Cord length	Number of Drops	Engineering No.	Order No.
Incandescent	100W	A21	13.72m (45.0')	3	340310A	130104-0039
	100W	A21	19.81m (65.0')	5	340510A	130104-0040
Fluorescent	26W	PL-C 26/41/4P	19.81m (65.0')	5	342510A	130106-0120

100W, 26W 12/3 SOOW WET LOCATION

Features and Benefits

- Strings include 7.62m (25') lead to allow for maximum flexibility in supplying power
- Watertite plug included
- Cord is 600V rated and drops are molded rubber for the highest level of durability

Specifications

Electrical	NEMA Plug Configuration: NEMA 5-15 Voltage: 120V AC, 60 Hz
Physical	Cords: 12/3 SOOW with 14/3 SOOW drops Drop Spacing: 3.05m (10') intervals Fixture: Uses 1203 (incandescent) or 1926 (fluorescent) hand lamps Tee Drop Construction: Rubber molded
Environmental	NEMA Rating: NEMA 4X



Bulb Type	Lamp Wattage	Lamp Type	Cord length	Number of Drops	Engineering No.	Order No.
Incandescent	100W	A21	13.72m (45.0')	3	380310A	130107-0039
			19.81m (65.0')	5	380510A	130107-0040
			35.05m (115.0')	10	380010A	130107-0038
Fluorescent	26W	PL-C 26/41/4P	19.81m (65.0')	5	387510A	130107-0043
			35.05m (115.0')	10	387010A	130107-0042

Stringlights

LED

LED STRINGLIGHT

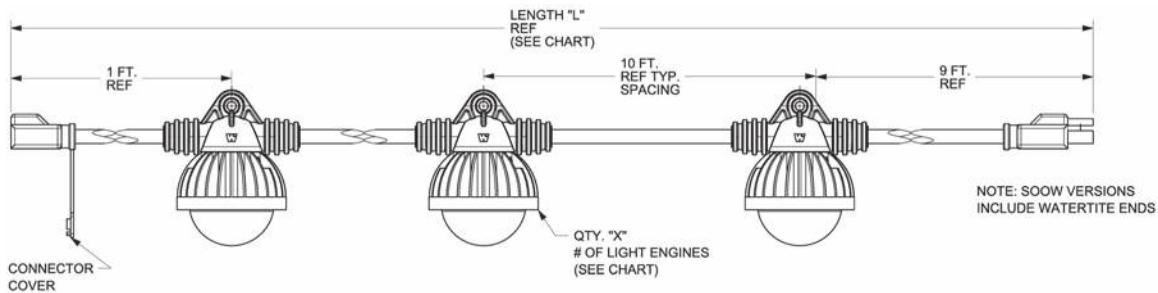
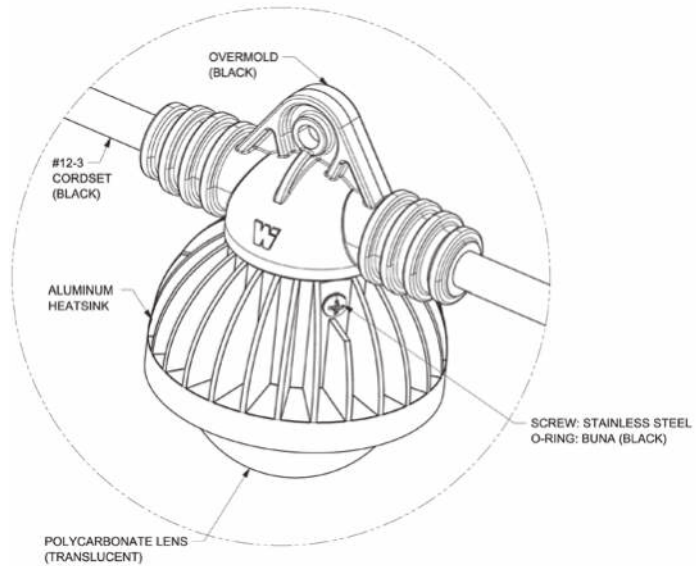
Features and Benefits

- 14W per light engine and 140W per 100-foot string provides over 2100 lumens per light engine
- Reduced maintenance during use: No lamp replacement, with integral long-life LED light engines
- Easy installation: No separate guards or lamps to handle
- Low-profile design affords more headroom: LED String Lights provide 4 to 5 inches of extra headroom compared with traditional strings
- Less required infrastructure for temporary power: Can power up to twelve (12) 100-foot strings from a single outlet; requires smaller generators, less temporary equipment, fewer outlets and smaller wire gauges
- High productivity: 5000K color temperature provides a more natural color temperature than incandescent lamps
- High durability: Polycarbonate lens protects light source; outdoor rated and able to withstand the elements



Specifications

Electrical	Voltage Rating: 125V Wattage per Light Engine: 14W Wattage per Light String: 140W per 100ft
Physical	Cord: SJTW, or SOOW Junction Overmold Material: Alcryn 2080BK Heatsink: Cast Aluminum Lens: Polycarbonate
Mechanical	Length (Ft): 25, 50 and 100 Light Engine count: 2, 5 and 10 Cable type: 12/3 SJTW, 12/3 SOOW
Lighting	Lumen Output per Light Engine: 2128 lumens Color Temperature: 5000K Color Rendering Index (CRI): 80
Environmental	Rated for outdoor use, wet-locations Designed In: Feet Plug and Connector Configuration: NEMA 5-15
Reference Information	Standard: UL1088 SJTW Cable: Plug and connector are molded on SOOW: uses Watertite devices cULus File No.: E112216



Cable Type	Length "L" (Ft)	Quantity "X" of Light Engines	Wattage per Light String	Max. Strings Plugged End-to-End	Engineering No.	Order No.
#12/3 SJTW	100	10	140	12	123JR100-14W10515M	130111-0100
#12/3 SJTW	50	5	70	24	123JR50-14W10515M	130111-0101
#12/3 SJTW	25	2	28	50	123JQ25-14W10515M	130111-0112
#12/3 SOOW	100	10	140	12	123WR100-14W10515	130111-0117
#12/3 SOOW	50	5	70	24	123WR50-14W10515	130111-0118

Stringlights

Super-Safeway™ Industrial Duty

200W INCANDESCENT 12/3 SOOW

Features and Benefits

- Watertite® plug and connector included for quick installation
- Cord is 600V rated and drops are molded rubber for the highest level of durability

Specifications

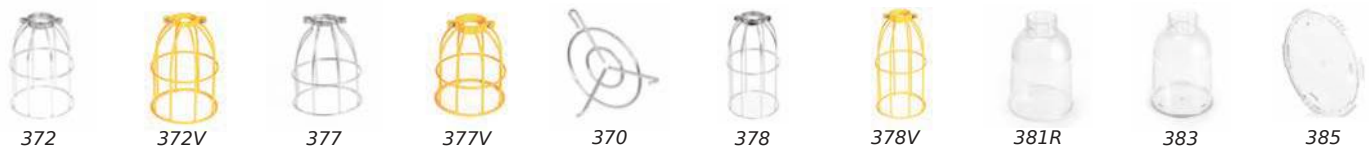
Electrical	Voltage: 120V AC, 60 Hz
	Lead Length: 1.52m (5')
	Tail Length: 1.52m (5')
Physical	Drop Spacing: 3.05m (10') intervals
	Sockets: 15.24m (50') string—5 sockets, 30.48m (100') string—10 sockets
	Neck Diameter: 44.45mm (1.75")
	Socket Construction: Rubber molded
Environmental	NEMA Rating: Rain Tight
Reference Information	CSA File No.: LR85374 (for models that include guards)



Guard Included	NEMA Configuration	Cord Length	Engineering No.	Order No.	
377	NEMA 5-15	15.24m (50.0')	323526	130106-0115	
		30.48m (100.0')	323126	130106-0107	
	NEMA 5-20	15.24m (50.0')	323525	130106-0114	
		30.48m (100.0')	323125	130106-0106	
	NEMA L5-15	15.24m (50.0')	323536	130106-0119	
		30.48m (100.0')	323136	130106-0111	
	NEMA L5-20	15.24m (50.0')	323535	130106-0118	
		30.48m (100.0')	323135	130106-0110	
	No	NEMA 5-15	15.24m (50.0')	323523	130106-0112
			30.48m (100.0')	323123	130106-0104
NEMA 5-20		15.24m (50.0')	323524	130106-0113	
		30.48m (100.0')	323124	130106-0105	
NEMA L5-15		15.24m (50.0')	323533	130106-0116	
		30.48m (100.0')	323133	130106-0108	
NEMA L5-20		15.24m (50.0')	323534	130106-0117	
		30.48m (100.0')	323134	130106-0109	

Guards

Complete Guard Family for Use with Super-Safeway Molded Stringlights with 1¾" Neck Diameters



Stringlight Guard Replacement Parts						
Lamp Description	Vinyl Coated	Type	Length	Diameter	Engineering No.	Order No.
Metal Wire—Bottom Cover	—	—	—	—	370	130112-0160
Metal Wire	—	A23	0.18m (7.0")	127.0mm (5.0")	372	130112-0161
	Yes	A23	0.18m (7.0")	127.0mm (5.0")	372V	130112-0162
	—	A19, A21	0.15m (6.0")	127.0mm (5.0")	377	130112-0163
	Yes	A19, A21	0.15m (6.0")	127.0mm (5.0")	377V	130112-0164
	—	PS25, PS30	0.25m (10.0")	127.0mm (5.0")	378	130114-0019
	Yes	PS25, PS30	0.25m (10.0")	127.0mm (5.0")	378V	130112-0166
Clear Polycarbonate	—	A19, A21	0.17m (6.8")	101.6mm (4.0")	381R	130112-0171
Clear Polycarbonate With Bottom Cover	—	A19, A21	0.17m (6.8")	101.6mm (4.0")	383	130112-0173
Clear Polycarbonate—Bottom Cover	—	—	0.17m (6.8")	114.3mm (4.5")	385	130112-0174

Stringlights & Pigtail Sockets

Super-Safeway™ Industrial Duty & Watertite®

200W INCANDESCENT 12/3 SOOW

Features and Benefits

- Super-Safeway plug included for quick installation
- Cord is 600V rated and sockets assemblies are rubber for the highest level of durability
- Easy-to-replace socket parts assure quick, convenient serviceability

Specifications

Electrical	Voltage: 120V AC, 60 Hz Lead Length: 3.05m (10') String Length: 30.48m (100') Drop Spacing: 3.05m (10') intervals
Physical	Sockets: 10 per per string Guard: 362 included Neck Diameter: 38.1mm (1.5") Socket Construction: Assembled
Environmental	NEMA Rating: Rain Tight
Reference Information	CSA File No.: LR85374 (310123 and 310423 only)



Cord Type	NEMA Configuration	Engineering No.	Order No.
12/3 SOOW	NEMA 5-15	310123	130107-0030
	NEMA L5-20	310423	130107-0033

Lamp Holders for Assembled Stringlights

Description	Max. Lamp Wattage	Guard Included	Engineering No.	Order No.
Lamp Holder With Screw Clamp Cord Grip	200W	—	300	130107-0024
Lamp Holder With Weather-Resistant Cord Grip	200W	—	300W	130107-0025
Lamp Holder With Weather-Resistant Cord Grip	200W	362	310W	130107-0034
Lamp Holder With Screw-Clamp Cord Grip	200W	362	310	130107-0029

Replacement Parts

Description	Engineering No.	Order No.
Super-Safeway Lamp Holder Cover (300 and 310)	305	130112-0144
Super-Safeway Housing (300 and 310)	306	130191-0085

300W WATERTITE® PIGTAIL SOCKETS AND LAMP HOLDERS

Features and Benefits

- Rubber construction with water-resistant lip molds around bulb to form a seal
- Ceramic base interior with full-thread, medium-base
Copper screw shell mean a durable socket design

Specifications

Electrical	Voltage: 600V Power: 300W Current: 15A max.
Physical	Lead Wires: 14 gauge Neck Diameter: 38.1mm (1.5")
Reference Information	CSA File No.: LR1533



Description	Engineering No.	Order No.
Socket With 4½" Leads	600	130152-0016
Socket With 3½" Cover Plate	601	130152-0020
Socket With Flange	603	130144-0094
Socket With Flange For 3.5" or 4" Boxes	606	130152-0021

Stringlights

Safety Yellow[®] Commercial Duty

200W INCANDESCENT

Features and Benefits

- Cord is 300V rated and sockets are molded to withstand hard usage

Specifications

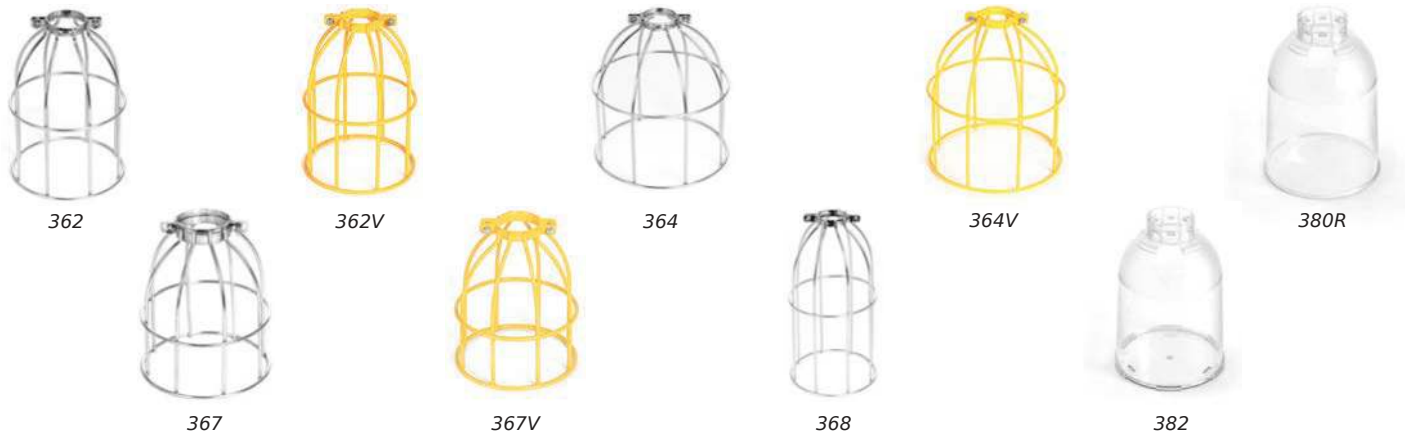
Electrical	Voltage: 120V AC, 60 Hz
	Lead Length: 2.44m (8')
	Tail Length: 0.61m (2')
Physical	Drop Spacing: 3.05m (10') intervals
	Sockets: 5 per string for 15.24m (50')
	10 per string for 30.48m (100')
	Bulb Size: A21
	Neck Diameter: 38.1mm (1.5")
	Socket Construction: Molded
Environmental	NEMA Rating: Rain Tight
Reference Information	UL File No.: E112216



Cord Type	Cord Length	NEMA Configuration	Guard Included	Engineering No.	Order No.
12/3 SJTW	15.24m (50.0')	NEMA 5-15	None	5003	130111-0031
	30.48m (100.0')	NEMA 5-15	None	5002	130111-0030

Guards

Complete Guard Family for Use with 5000 Series Safety Yellow Stringlights or Assembled Stringlight Sockets with 1½" Diameter Necks



Safety Yellow Stringlight Guards						
Description	Vinyl Coated	Lamp Type	Length	Diameter	Engineering No.	Order No.
Metal Wire Guard	—	A23	0.18m (7.0")	127.0mm (5.0")	362	130114-0017
	Yes	A23	0.18m (7.0")	127.0mm (5.0")	362V	130112-0153
	—	PAR38, R40	0.19m (7.5")	165.1mm (6.5")	364	130114-0018
	Yes	PAR38, R40	0.19m (7.5")	165.1mm (6.5")	364V	130112-0154
	—	A19, A21	0.15m (6.0")	127.0mm (5.0")	367	130112-0156
	Yes	A19, A21	0.15m (6.0")	127.0mm (5.0")	367V	130112-0157
	—	PS25, PS30	0.25m (10.0")	127.0mm (5.0")	368	130112-0158
Clear Polycarbonate Guard	—	A19, A21	0.17m (6.8")	114.3mm (4.5")	380R	130112-0169
Clear Polycarbonate Guard With Bottom Cover	—	A19, A21	0.17m (6.8")	114.3mm (4.5")	382	130112-0172

Stringlights

Pro-Yellow® Commercial and General Duty

150W INCANDESCENT

Features and Benefits

- Multiple options give you the right product for the job
- 302SRL series includes Lamp-It-In-the-Box™ packaging to make installing bulbs a snap
- 5038-F includes molded plug and connector for ease of daisy-chaining

Specifications

Electrical	Voltage: 120V AC, 60 Hz Lead Length: 2.44m (8'), 2.74m (9') for 5038-F Tail Length: 0.61m (2'), 0.31m (1') for 5038-F Socket Spacing: 3.05m (10') intervals
Physical	String Length: 30.48m (100') Sockets: 10 per string Bulb Type: A21 (not included) Neck Diameter: 38.1mm (1.5")
Environmental	NEMA Rating: Rain Tight
Reference Information	UL File No.: E112216 (see table)



Cord Type	NEMA Configuration	Guard Included	Socket Construction	Agency Certification	Engineering No.	Order No.
14/2	N/A	STR101	Assembled	—	202SRL	130111-0023
14/2 SJTW	NEMA 1-15	STR105	Molded	UL	5030	130111-0044
12/2 TC		STR101	Assembled	cULus	302SRL	130111-0024
12/3 STW	NEMA 5-15	STR105	Molded	cULus	5038-F	130111-0054

Guards—For Use with Pro-Yellow StringLights

Description	Engineering No.	Order No.
Yellow Polypropylene for 202SRL, 302SRL	STR101	130112-0246
Yellow Polypropylene for 5030, 5038-F	STR105	130112-0258

Woodhead Reels



Standard-Duty



Industrial-Duty



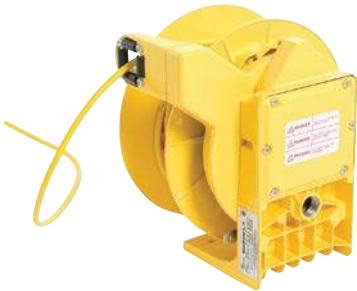
Heavy-Duty

Woodhead Reels



STANDARD-DUTY CORD REELS

Available in swing- or rigid-mount versions; are renowned for their exceptional performance, long service life and ease of maintenance in dry, indoor applications.



INDUSTRIAL-DUTY CABLE REELS

Includes Pow-R-Mite and Pow-R-Matic; designed for the most demanding indoor and outdoor industrial applications.



HEAVY-DUTY REELS

Offers all the benefits of our Industrial-Duty Cable Reels with added capacity to hold more cable and heavier retraction weight.



Woodhead Reels

Standard-Duty Cord Reels	46
With Flying Leads.....	48
With Fluorescent Lights	49
With Incandescent Lights	49
With Power Accessories	50
Industrial-Duty Cable Reels	51
With Fluorescent and Incandescent Lights	54
With Power Accessories	55
Heavy-Duty Cable Reels	56
Industrial- and Heavy-Duty Mounting Techniques	60
Cable Reels Customization	62
Cable Reel RFQ	63
Specialty Reels	64
Hand Wind Reels and Welding Reels	65



Standard-Duty Cord Reels

Applications

- Hospitals
- Maintenance shops
- Technical schools
- Work benches



Woodhead Standard-Duty Cord Reels are renowned for their exceptional performance, long service life and ease of maintenance in dry indoor applications. Standard-duty cord reels are available in swing- or rigid-mount versions with a variety of options and accessories. Constructed with precision electrical and mechanical components, standard-duty cord reels are ideal for keeping handlamps and power boxes accessible and out of the way.



Cord Reels

Standard Duty

WOODHEAD STANDARD-DUTY CORD REELS COME PRELOADED WITH CORD.



Specifications

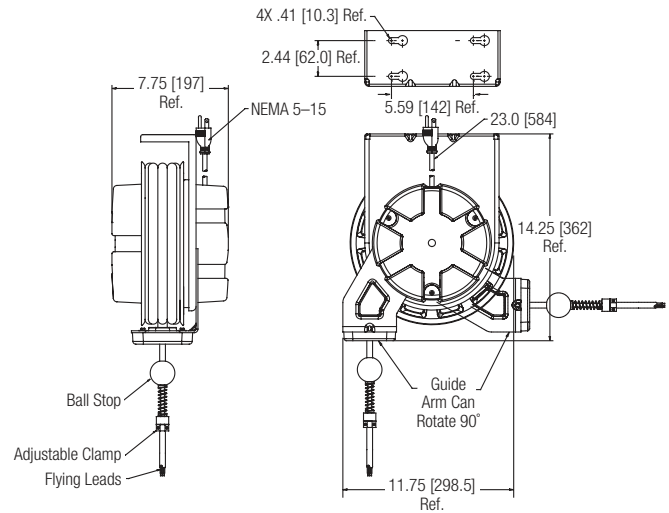
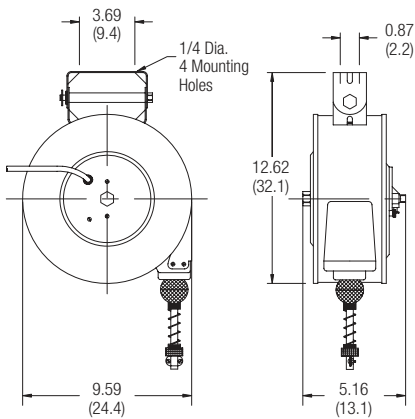
Electrical	Voltage: 120 V AC
Physical	Construction: All reels include 2' primary cord with plug
	Working End: Flying leads and ball stop
	Ratchet Lock: Easily disengaged as needed
	Tension: Easily adjusted
Environmental	Retraction Weight: Up to 3 lb
	NEMA Rating: NEMA 1
Reference Information	UL File No.: E22769
	CSA File No.: LR29921 (only 997, 997L, 998 and 998L)



Cord Reels

Standard Duty with Flying Leads

CORD REEL



Cord Type	Current	Plug	Cord Length	Construction	Mounting Style	Retraction Weight	Engineering No.	Order No.
16/3 SJTOW	6A	NEMA 5-15	10.67m (35.0')	Steel	Swinging	0.9kg (2.0 lb)	945-3	130090-0009
16/3 SJTOW	8A	NEMA 5-15	15.24m (50.0')	Steel/ Polycarbonate	Rigid	1.4kg (3.0 lb)	980	130091-0013
14/3 SJTOW	11A	NEMA 5-15	13.72m (45.0')	Steel/ Polycarbonate	Rigid	1.4kg (3.0 lb)	990	130091-0045
12/3 SJTOW	15A	NEMA 5-15	10.67m (35.0')	Steel/ Polycarbonate	Rigid	1.4kg (3.0 lb)	997	130091-0085
		NEMA L5-15					997L	130091-0210
12/3 SJTOW	20A	NEMA 5-20	10.67m (35.0')	Steel/ Polycarbonate	Rigid	1.4kg (3.0 lb)	998	130091-0202
		NEMA L5-20					998L	130091-0205

Accessories

Save time by ordering your Woodhead standard-duty cord reel with an accessory already attached for convenience and immediate, out-of-the-box use.

Fluorescent light, 13W
See page 49

Incandescent light, 100W
See page 49

Low voltage spotlight, 30W
See page 49

Duplex outlet box
See page 50

Duplex GFCI outlet box
See page 50

NEMA standard or locking connector, 15A or 20A
See page 50



Cord Reels

Standard Duty with Light

FLUORESCENT LIGHT, 13W



Features and Benefits

- Rubber handle and butyrate guard offer durability and non-conductive safety
- Bulb included in all models
- Auto-switch available for ultimate convenience in select models
- For details and specifications on cord reels, see pages 47–48

Specifications

Electrical	Voltage: 120 V AC Power: 13 Watts
Environmental	NEMA Rating: NEMA 1 UL File No.: E22769 (except auto-switch versions)
Reference Information	CSA File No.: LR29921 (only 980-83, 980-86, 990-83, 990-86)



Cord Reel					Light Fixture					
Cord Reel	Base Reel		Cord Type	Cord Length	Light Fixture		Ballast Location	Switch Location	Cord Reel with Light	
	Engineering No.	Order No.			Engineering No.	Order No.			Engineering No.	Order No.
Swing Mount										
	945-3	130090-0009	16/3 SJTOW	10.67m (35.0')	1086-3HO	130108-0133	Handle	Handle	945-3-86	130090-0010
Rigid Mount										
	980	130091-0013	16/3 SJTOW	15.24m (50.0')	1083-3HON	130112-0068	Primary Cord	Handle	980-83	130091-0027
			16/3 SJTOW	15.24m (50.0')	1086-3HO	130108-0133	Handle	Handle	980-86	130091-0028
			16/3 SJTOW	15.24m (50.0')	1083-3HON	130112-0068	Primary Cord	Auto Switch on Reel	980A-83	130091-0030
	990	130091-0045	14/3 SJTOW	13.72m (45.0')	1083-3HON	130112-0068	Primary Cord	Handle	990-83	130091-0061
			14/3 SJTOW	13.72m (45.0')	1086-3HO	130108-0133	Handle	Handle	990-86	130091-0062
			14/3 SJTOW	13.72m (45.0')	1083-3HON	130112-0068	Primary Cord	Auto Switch on Reel	990A-83	130091-0064

INCANDESCENT LIGHTS, 100W AND LOW VOLTAGE SPOTLIGHT, 30W



Features and Benefits

- Handlamp handles feature switch and outlet
- Handlamp handles made of rubber (106US) or phenolic material (271US), both with 8-gauge Zinc-plated steel guard
- Spotlight has switch and is wet location rated and low voltage (12V) for added safety
- Spotlight includes bulb (handlamps require user-supplied A21 bulb)
- For details and specifications on cord reels, see pages 47–48

Specifications

Electrical	Voltage: 120 V AC Power: 30 Watts (spotlight) or 100 Watts (handlamps)
Physical	Switch: Included on handle NEMA 5-15 Outlet: Included on handle (handlamps only) Transformer: 125V to 12V included on primary side (spotlight only)
Environmental	NEMA Rating: NEMA 1
Reference Information	UL File No.: E22769 (except reels with 1610S spotlight fixture)



Cord Reel	Base Reel		Cord Type	Cord Length	Light Fixture		Lamp Wattage	Convenience Outlet on Handle	Cord Reel with Light	
	Engineering No.	Order No.			Engineering No.	Order No.			Engineering No.	Order No.
	945-3	130090-0009	16/3 SJTOW	10.67m (35.0')	1610S	130105-0034	30W		965	130090-0018
			16/3 SJTOW	10.67m (35.0')	106US	130102-0114	100W	NEMA 5-15	963	130090-0015
	980	130091-0013	16/3 SJTOW	15.24m (50.0')	1610S	130105-0034	30W		980-1610S	130091-0020
			16/3 SJTOW	15.24m (50.0')	271US	130102-0259	100W	NEMA 5-15	980-271US	130091-0021
	990	130091-0045	14/3 SJTOW	13.72m (45.0')	1610S	130105-0034	30W		990-1610S	130091-0055
			14/3 SJTOW	13.72m (45.0')	106US	130102-0114	100W	NEMA 5-15	990-106US	130091-0049
			14/3 SJTOW	13.72m (45.0')	271US	130102-0259	100W	NEMA 5-15	990-271US	130091-0056

Cord Reels

Standard Duty with Power Accessories

CONNECTOR, DUPLEX OUTLET BOX AND GFCI DUPLEX OUTLET BOX







Features and Benefits

- Options from one to four outlets provide flexibility for many applications
- GFCI version provides added protection for personnel from electrical hazards associated with ground faults
- For details and specifications on connected cord reels, see pages 47–48

Specifications

Electrical	Voltage: 120 V AC
Environmental	NEMA Rating: NEMA 1
Reference Information	UL File No.: E22769 (except reels with 3070-GFI and Order Numbers 130091-0201 through 13091-0214) CSA File No.: LR29921 (reels with 12/3 SJTOW only)



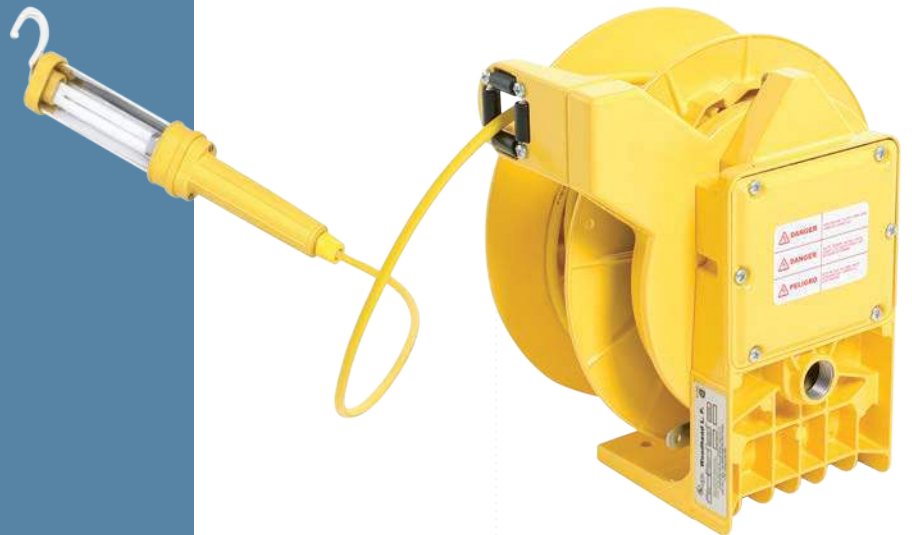
Cord Reel				Power Accessory				
Cord Reel	Plug Type	Cord Type	Cord Length	Device	No. of Outlets	GFCI Protected	Engineering No.	Order No.
	NEMA 5-15	16/3 SJTOW	10.67m (35.0')	NEMA 5-15 Connector	1		945-1547	130090-0008
		16/3 SJTOW	10.67m (35.0')	Double Duplex Outlet Box, NEMA 5-15	4		966	130090-0019
	NEMA 5-15	16/3 SJTOW	15.24m (50.0')	Double Duplex Outlet Box, NEMA 5-15	4		980-3000	130091-0023
		16/3 SJTOW	15.24m (50.0')	Single Duplex GFCI Outlet Box, NEMA 5-15	2	Yes	980-3070G	130091-0025
		14/3 SJTOW	13.72m (45.0')	NEMA 5-15 Connector	1		990-1547	130091-0053
		14/3 SJTOW	13.72m (45.0')	Double Duplex Outlet Box, NEMA 5-15	4		990-3000	130091-0057
		14/3 SJTOW	13.72m (45.0')	Single Duplex GFCI Outlet Box, NEMA 5-15	2	Yes	990-3070G	130091-0059
	NEMA 5-20	12/3 SJTOW	10.67m (35.0')	NEMA 5-20 Connector	1		998-1533	130091-0203
		12/3 SJTOW	10.67m (35.0')	Single Duplex GFCI Outlet Box, NEMA 5-20	2	Yes	998-3070G20	130091-0204
		12/3 SJTOW	10.67m (35.0')	Double Duplex Outlet Box, NEMA 5-20	4		998-3080	130091-0201
	NEMA L5-20, Locking	12/3 SJTOW	10.67m (35.0')	NEMA L5-20 Locking Connector	1		998L-2747	130091-0206
		12/3 SJTOW	10.67m (35.0')	Single Duplex GFCI Outlet Box, NEMA 5-20	2	Yes	998L-3070G20	130091-0207
		12/3 SJTOW	10.67m (35.0')	NEMA 5-20 Connector	1		998L-1533	130091-0208
		12/3 SJTOW	10.67m (35.0')	Double Duplex Outlet Box, NEMA 5-20	4		998L-3080	130091-0209
	NEMA 5-15	12/3 SJTOW	10.67m (35.0')	NEMA 5-15 Connector	1		997-1547	130091-0087
		12/3 SJTOW	10.67m (35.0')	Single Duplex GFCI Outlet Box, NEMA 5-15	2	Yes	997-3070G	130091-0094
		12/3 SJTOW	10.67m (35.0')	Double Duplex Outlet Box, NEMA 5-15	4		997-3000	130091-0090
	NEMA L5-15, Locking	12/3 SJTOW	10.67m (35.0')	NEMA L5-15 Locking Connector	1		997L-2547	130091-0211
		12/3 SJTOW	10.67m (35.0')	Single Duplex GFCI Outlet Box, NEMA 5-15	2	Yes	997L-3070G	130091-0212
		12/3 SJTOW	10.67m (35.0')	NEMA 5-15 Connector	1		997L-1547	130091-0213
		12/3 SJTOW	10.67m (35.0')	Double Duplex Outlet Box, NEMA 5-15	4		997L-3000	130091-0214

Industrial-Duty Cable Reels

Applications

- Fire trucks
- Food and beverage
- Lifting magnets for cranes
- Movable equipment
- Overhead cranes
- Service vehicles
- Industrial MRO
- Wastewater treatment

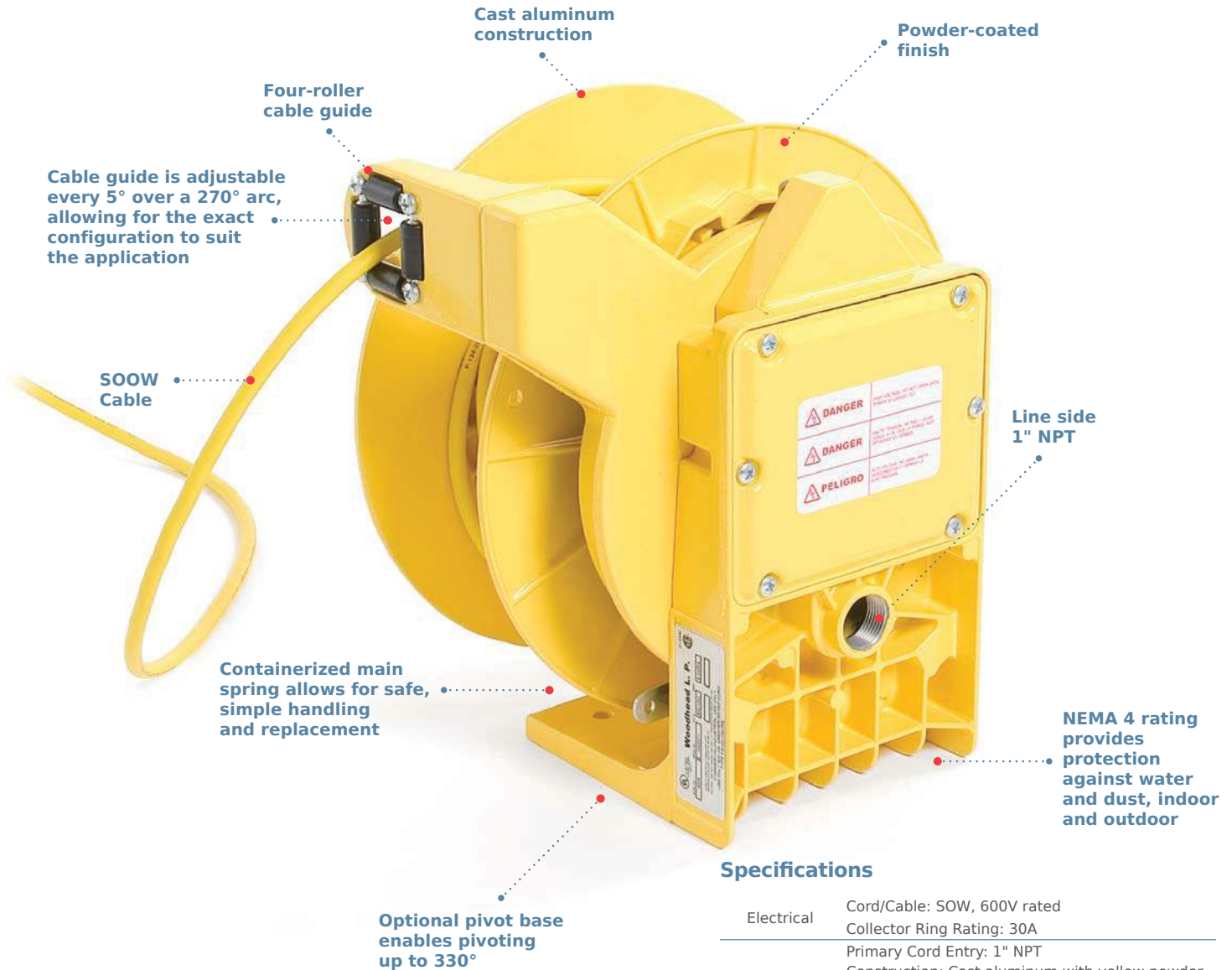
Woodhead Industrial-Duty Cable Reels are designed for the most demanding of indoor/outdoor industrial applications. Industrial-duty cable reels are spring-powered reels made of precision electrical and mechanical components to accommodate up to 50' of cable or up to 12-conductor cable. Cable reels have a NEMA-4 rating for indoor and outdoor use to protect against water and corrosion for weather and dust resistance.



Cable Reels

Industrial Duty

WOODHEAD INDUSTRIAL-DUTY CABLE REELS COME WITH OR WITHOUT CABLE.



Specifications

Electrical	Cord/Cable: SOOW, 600V rated Collector Ring Rating: 30A
Physical	Primary Cord Entry: 1" NPT Construction: Cast aluminum with yellow powder-coat finish Working End: Flying leads; ball stop not included Ratchet Lock: Easily disengaged as needed Tension: Easily adjusted Junction Box: Large, easy-access Spring: Containerized, easily replaceable
Environmental	NEMA Rating: NEMA 4
Reference Information	UL File No.: E22769 CSA File No.: LR29921



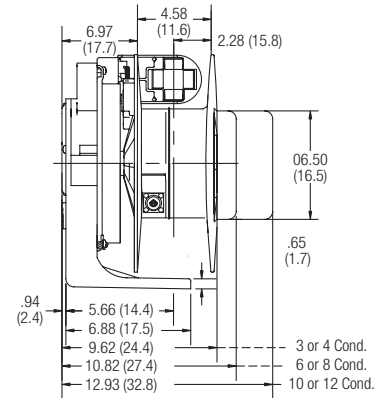
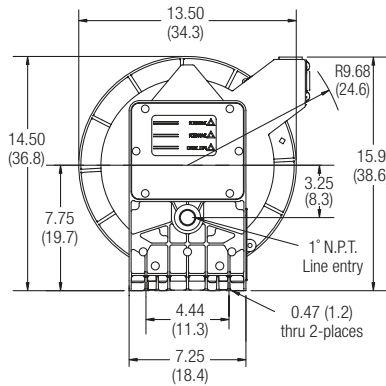
Cable Reels

Industrial Duty

CABLE REEL



- Up to 50'
- Retraction weight 4 lb.



Wire Gauge	Reels without Cable		Conductors	Current	Cable Length	Reels with Cable	
	Reference No.	Cable Range				Engineering No.	Order No.
16	095105203	up to 50'	3	9A	9.14m (30.0')	9224	130083-0224
	095105203	up to 50'	3	9A	15.24m (50.0')	9228	130083-0225
	095105204	up to 50'	4	7A	9.14m (30.0')	9234	130083-0227
	095105204	up to 50'	4	7A	15.24m (50.0')	9238	130083-0228
	095105206	up to 50'	6	7A	13.72m (45.0')	9206	130083-0222
	095105208	up to 38'	8	6A	11.58m (38.0')	9208	130083-0223
	095106208	38-50'	8	6A	15.24m (50.0')	92481	130083-0239
	095106210	up to 40'	10	5A	9.14m (30.0')	92401	130083-0229
14	095106212	up to 40'	12	5A	9.14m (30.0')	92411	130083-0231
	095105203	up to 25'	3	13A	7.62m (25.0')	9253	130083-0242
	095104203	25-50'	3	13A	15.24m (50.0')	9358	130083-0249
	095104204	up to 50'	4	11A	7.62m (25.0')	9363	130083-0262
	095104204	up to 50'	4	11A	13.72m (45.0')	9367	130083-0263
	095104206	up to 40'	6	11A	10.67m (35.0')	9306	130083-0247
	095104208	up to 20'	8	8A	6.10m (20.0')	9308	130083-0248
	095106208	20-30'	8	8A	9.14m (30.0')	92482	130083-0240
12	095106210	up to 20'	10	7A	6.10m (20.0')	92402	130083-0230
	095104203	up to 35'	3	18A	7.62m (25.0')	9383	130083-0264
	095104203	up to 35'	3	18A	10.67m (35.0')	9385	130083-0279
	095106203	35-50'	3	18A	15.24m (50.0')	92433	130083-0232
	095104204	up to 30'	4	14A	9.14m (30.0')	9394	130083-0284
	095106204	30-40'	4	14A	12.19m (40.0')	92443	130083-0234
	095106206	up to 30'	6	14A	9.14m (30.0')	92463	130083-0237
	095106208	up to 20'	8	12A			
10	095105203	up to 30'	3	22A	6.10m (20.0')	9242	130084-0318
	095106203	30-40'	3	22A	12.19m (40.0')	92434	130083-0233
	095106204	up to 30'	4	16A	9.14m (30.0')	92444	130083-0236
	095106206	up to 30'	6	14A	6.10m (20.0')	92464	130083-0238
	095106206	up to 20'	6	14A	6.10m (20.0')	9501	130226-1600

Optional Pivot Base for Reel Series 9200/9300/92400

Accessories

Save time by ordering your Woodhead industrial-duty cord reel with an accessory already attached for convenience and immediate, out-of-the-box use.

Fluorescent light, 13W
See page 54



Incandescent light, 100W
See page 54



Low voltage spotlight, 30W
See page 54



Duplex outlet box
See page 55



Duplex GFCI outlet box
See page 55



NEMA standard connector, 15A or 20A
See page 55



Cable Reels

Industrial Duty with Light

FLUORESCENT LIGHT, 13W

Features and Benefits


- Offers 900 lumens of bright, diffuse light while remaining cool to the touch
- Rubber handle and butyrate guard offer durability and non-conductive safety
- Bulb and switch included for ultimate convenience
- For details and specifications on cable reels, see pages 52–53

Specifications

Electrical	Voltage: 120 V AC Power: 13 Watts
Physical	Ball stop included with handlamp
Environmental	NEMA Rating: NEMA 4 (except handlamp)
Reference Information	UL File No.: E22769



1086-3HO

Cable Reels					Light Fixture	
Cord Reel	Base Reel		Cord Type	Cord Length	Cord Reel with Light	
	Engineering No.	Order No.			Engineering No.	Order No.
	9224	130083-0224	16/3 SOOW	9.14m (30.0')	9224-86	130083-0767
	9228	130083-0225	16/3 SOOW	15.24m (50.0')	9228-86	130083-0775

INCANDESCENT LIGHT, 100W AND LOW VOLTAGE SPOTLIGHT, 30W

Features and Benefits

- Handlamp features switch and convenience outlet on handle
- Handlamp has heavy-duty rubber handle with 8-gauge zinc-plated steel guard
- Spotlight has switch and is wet location rated and low voltage (12V) for added safety
- Spotlight includes bulb (handlamp requires user-supplied A21 bulb)
- For details and specifications on cable reels, see pages 52–53


Specifications

Electrical	Voltage: 120 V AC Power: 30 Watts (spotlight) or 100 Watts (handlamp)
Physical	Working End: Ball stop included with handlamp or spotlight; bulb included with spotlight only
	Switch: Included on handle NEMA 5-15 Outlet: Included on handle (handlamp only)
	Transformer: 125V to 12V included on primary side (spotlight only)
Environmental	NEMA Rating: NEMA 4 (except handlamp)
Reference Information	UL File No.: E22769 (9228-106US only)



1610S

106US

Cable Reels					Light Fixture				
Cord Reel	Base Reel		Cord Type	Cord Length	Light Fixture	Lamp Wattage	Convenience Outlet on Handle	Cord Reel with Light	
	Engineering No.	Order No.						Engineering No.	Order No.
	9224	130083-0224	16/3 SOOW	9.14m (30.0')	1610S	30W		9224-1610S	130083-0766
	9228	130083-0225	16/3 SOOW	15.24m (50.0')	106US	100W	NEMA 5-15	9228-106US	130083-0772
			16/3 SOOW	15.24m (50.0')	1610S	30W		9228-1610S	130083-0773
	9253	130083-0242	14/3 SOOW	7.62m (25.0')	1610S	30W		9253-1610S	130083-0245
	9358	130083-0249	14/3 SOOW	15.24m (50.0')	106US	100W	NEMA 5-15	9358-106US	130083-0250
			14/3 SOOW	15.24m (50.0')	1610S	30W		9358-1610S	130083-0852

Cable Reels

Industrial Duty with Power Accessories

CONNECTOR, DUPLEX OUTLET BOX AND GFCI DUPLEX OUTLET BOX

Features and Benefits

- Options from one to four outlets provide flexibility for many applications
- GFCI version provides added protection for personnel from electrical hazards associated with ground faults
- For details and specifications on cable reels, see pages 52–53

Specifications

Electrical	Voltage: 120 V AC
Physical	Working End: Ball stop included
	Ratchet Lock: Easily disengaged as needed
	Tension: Easily adjusted
Environmental	Retraction Weight: Up to 4 lb
	NEMA Rating: NEMA 4 (reel only)
Reference Information	UL File No.: E22769 (except reels with 3070-GFI)
	CSA File No.: LR29921 (except 9253–3000 and reels with 3070-GFI)




3000-1



3070-GFI



1547

Cord Reel	Cable Reels				Power Accessory					
	Base Reel		Cord Type	Cord Length	Device	Outlet Type	No. of Outlets	GFCI Protected	Cord Reel with Accessory	
	Engineering No.	Order No.							Engineering No.	Order No.
	9253	130083-0242	14/3 SOOW	7.62m (25.0')	3000-1	NEMA 5-15	4		9253-3000	130083-0246
	9358	130083-0249	14/3 SOOW	15.24m (50.0')	1547	NEMA 5-15	1		9358-1547	130083-0252
			14/3 SOOW	15.24m (50.0')	3070-GFI	NEMA 5-15	2	Yes	9358-3070G	130083-0254
	9383	130083-0264	12/3 SOOW	7.62m (25.0')	1547	NEMA 5-15	1		9383-1547	130083-0266
			12/3 SOOW	7.62m (25.0')	3000-1	NEMA 5-15	4		9383-3000	130083-0269
			12/3 SOOW	7.62m (25.0')	3070-GFI	NEMA 5-15	2	Yes	9383-3070G	130083-0270
			12/3 SOOW	7.62m (25.0')	1533	NEMA 5-20	1		9383-1533	130083-0265
			12/3 SOOW	7.62m (25.0')	3080-10	NEMA 5-20	4		9383-3080	130083-0271
	9385	130083-0279	12/3 SOOW	10.67m (35.0')	3080-10	NEMA 5-20	4		9385-3080	130083-0280
	92433	130083-0232	12/3 SOOW	15.24m (50.0')	1547	NEMA 5-15	1		92433-1547	130083-0782
			12/3 SOOW	15.24m (50.0')	3000-1	NEMA 5-15	4		92433-3000	130083-0784
			12/3 SOOW	15.24m (50.0')	3070-GFI	NEMA 5-15	2	Yes	92433-3070G	130083-0786
			12/3 SOOW	15.24m (50.0')	1533	NEMA 5-20	1		92433-1533	130083-0781
			12/3 SOOW	15.24m (50.0')	3080-10	NEMA 5-20	4		92433-3080	130083-0787
	92434	130083-0233	10/3 SOOW	12.19m (40.0')	3080-10	NEMA 5-20	4		92434-3080	130083-0913

Heavy-Duty Cable Reels

Applications

- Fire trucks
- Food and beverage
- Lifting magnets for cranes
- Movable equipment
- Overhead cranes
- Service vehicles
- Industrial MRO
- Wastewater treatment

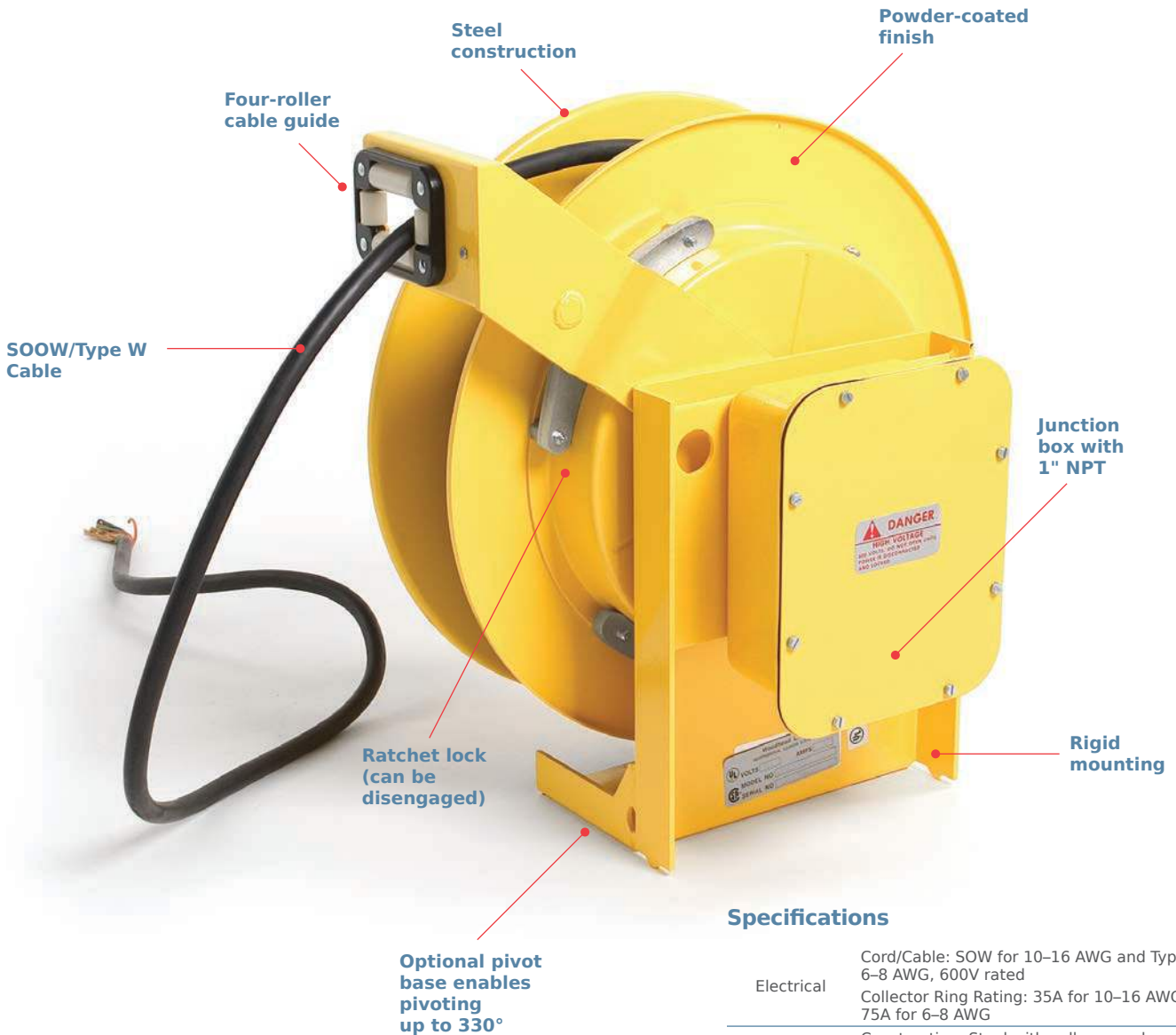
Woodhead Heavy-Duty Cable Reels offer all the benefits of our Industrial-Duty Cable Reels with added capacity to hold more cable and heavier retraction weight. Designed for long, reliable service life, they offer rugged steel construction with powder-coat finish and a NEMA-3 or NEMA-3R enclosure rating for protection against water and dust in both indoor and outdoor environments.



Cable Reels

Heavy Duty

WOODHEAD HEAVY-DUTY CABLE REELS CAN BE PURCHASED WITH OR WITHOUT CABLE.



Specifications

Electrical	Cord/Cable: SOW for 10–16 AWG and Type W for 6–8 AWG, 600V rated Collector Ring Rating: 35A for 10–16 AWG; 75A for 6–8 AWG
Physical	Construction: Steel with yellow powder-coat finish Ball Bearings: Bronze Working End: Flying leads; ball stop included with the exception of 92541N, 92512AN, 92535AN and 925268BN Tension: Easily adjusted Junction Box: Large, easy-access Spring: Containerized, easily replaceable
Environmental	NEMA Rating: NEMA 3 (92500 series) or NEMA 3R (92600 and 92700 series) CSA File No.: LR29921

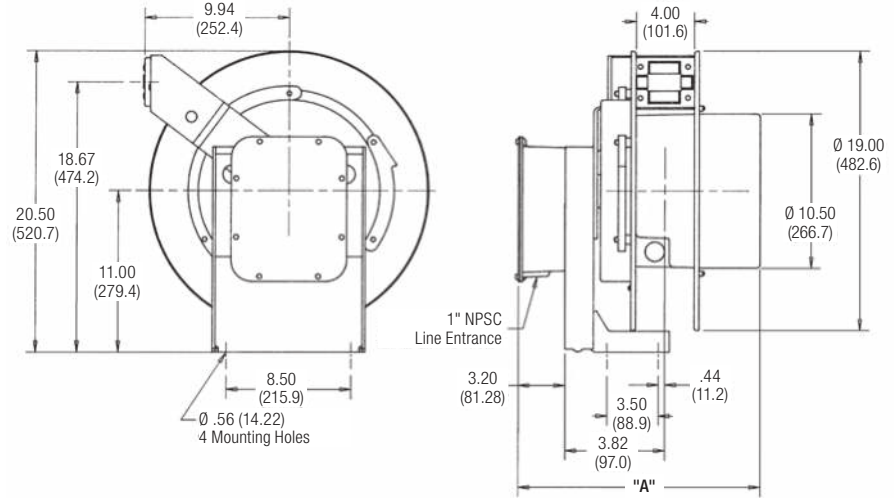
Reference Information



Cable Reels

Heavy Duty

CABLE REEL — WITH OR WITHOUT CABLE



- 20' to 70'
- Retraction weight 4 lb.

Wire Gauge	Without Cable				With Cable				
	Reels without Cable		Dimension "A"	Weight (without Cable)	Conductors	Current	Cable Length	Reels with Cable	
	Engineering No.	Cable Range						Engineering No.	Order No.
16	10511303G0L000	up to 70'	423mm (16.67")	81 lb.	3	10A	21.34m (70.0')	92531N	130084-0129
	10511304G0L000	up to 70'	423mm (16.67")	81 lb.	4	8A	21.34m (70.0')	92541N	130084-0138
	10511306G0L000	up to 70'	423mm (16.67")	82 lb.	6	8A	21.34m (70.0')	92561N	130084-0146
	10511308G0L000	up to 70'	479mm (18.84")	82 lb.	8	7A	21.34m (70.0')	92581N	130084-0150
	10511310G0L000	up to 50'	479mm (18.84")	83 lb.	10	5A	15.24m (50.0')	92501AN	130084-0119
14	10511312G0L000	up to 50'	479mm (18.84")	83 lb.	12	5A	15.24m (50.0')	92511AN	130084-0121
	10511303G0L000	up to 70'	423mm (16.67")	81 lb.	3	15A	21.34m (70.0')	92532N	130084-0131
	10511304G0L000	up to 70'	423mm (16.67")	81 lb.	4	12A	21.34m (70.0')	92542N	130084-0139
	10511306G0L000	up to 50'	423mm (16.67")	82 lb.	6	12A	15.24m (50.0')	92562AN	130084-0147
	10512306G0L000	50'-70'	423mm (16.67")	82 lb.	6	12A	21.34m (70.0')	92562BN	130084-0148
12	10512308G0L000	up to 60'	479mm (18.84")	82 lb.	8	10A	18.29m (60.0')	92582N	130084-0151
	10512310G0L000	up to 50'	479mm (18.84")	83 lb.	10	7A	15.24m (50.0')	92502N	130084-0120
	10511312G0L000	up to 30'	479mm (18.84")	83 lb.	12	7A	6.10m (20.0')	92512AN	130084-0123
	10512312G0L000	30'-40'	479mm (18.84")	83 lb.	12	7A	12.19m (40.0')	92512BN	130084-0124
	10511303G0L000	up to 70'	423mm (16.67")	81 lb.	3	20A	21.34m (70.0')	92533N	130084-0132
10	10511304G0L000	up to 60'	423mm (16.67")	81 lb.	4	16A	18.29m (60.0')	92543N	130084-0140
	10512306G0L000	up to 60'	423mm (16.67")	82 lb.	6	14A	18.29m (60.0')	92663	130084-0155
	10512308G0L000	up to 50'	479mm (18.84")	82 lb.	8	14A	15.24m (50.0')	92583N	130084-0152
	10512303G0L000	up to 70'	423mm (16.67")	81 lb.	3	25A	21.34m (70.0')	92534N	130084-0133
	10512304G0L000	up to 70'	423mm (16.67")	81 lb.	4	20A	15.24m (50.0')	92544AN	130084-0141
8	10512304G0L000	up to 70'	423mm (16.67")	81 lb.	4	20A	21.34m (70.0')	92544BN	130084-0142
	10513306G0L000	up to 50'	423mm (16.67")	82 lb.	6	20A	15.24m (50.0')	92564N	130084-0149
	10511403G0L000	up to 30'	423mm (16.67")	81 lb.	3	35A	9.14m (30.0')	92535AN	130084-0134
	10512403G0L000	30'-50'	423mm (16.67")	81 lb.	3	35A	15.24m (50.0')	92535BN	130084-0135
6	10511404G0L000	up to 20'	479mm (18.84")	82 lb.	4	28A	6.10m (20.0')	92545AN	130084-0143
	10513404G0L000	30'-40'	479mm (18.84")	82 lb.	4	28A	12.19m (40.0')	92545BN	130084-0144
	1051340200L000	40'-50'	423mm (16.67")	81 lb.	2	45A	15.24m (50.0')	92526BN	130084-0128
Optional Pivot Base for Reel Series 92500	10513403G0L000	up to 30'	423mm (16.67")	81 lb.	3	45A	9.14m (30.0')	92536N	130084-0136
	10513404G0L000	up to 30'	479mm (18.84")	82 lb.	4	36A	6.10m (20.0')	92546N	130084-0145
								9503	130226-1601

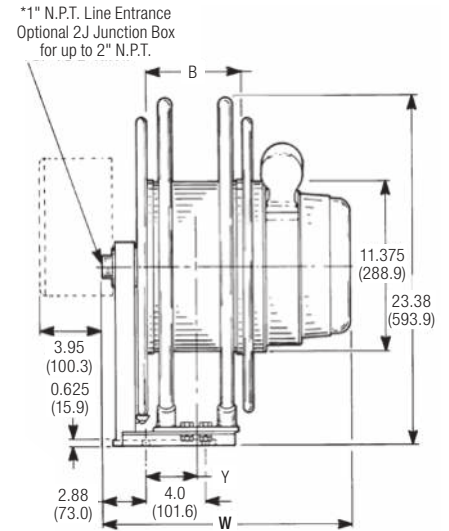
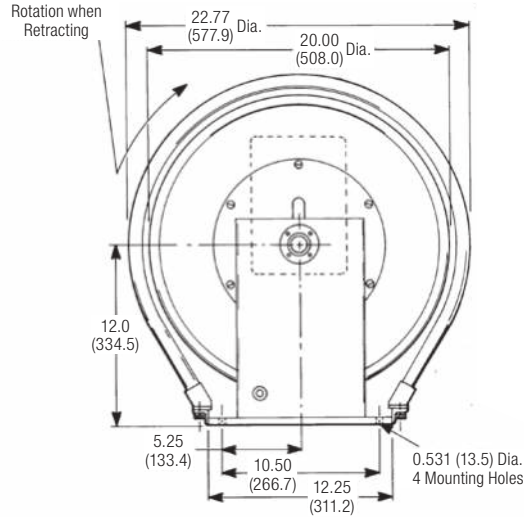
Cable Reels

Heavy Duty

CABLE REEL — WITH OR WITHOUT CABLE



- 40' to 160'
- Retraction weight 7 lb.
- Ratchet lock and a grounded junction box



Wire Gauge	Without Cable			With Cable					
	Reels without Cable Engineering No.	Cable Range	Dimension "W"	Weight (without Cable)	Conductors	Current	Cable Length	Reels with Cable Engineering No.	Order No.
16	11431030G0L	up to 115'	416.1mm (16.38")	138 lb.	3	9A	35.05m (115.0')	92631*	130085-0359
	114310306G1L	up to 100'	466.9mm (18.38")	139 lb.	6	7A	30.48m (100.0')	92661*	130085-0365
	114310308G1L	up to 95'	466.9mm (18.38")	140 lb.	8	6A	28.96m (95.0')	92681*	130085-0366
14	114310303G1L	up to 110'	416.1mm (16.38")	138 lb.	3	13A	33.53m (110.0')	92632*	130085-0360
	114310304G1L	up to 110'	416.1mm (16.38")	138 lb.	4	11A	33.53m (110.0')	92642*	130085-0363
	116505304G1L	110'-160'	527.1mm (20.75")	188 lb.	4	11A	48.77m (160.0')	92742†	130085-0373
	116505306G2L	up to 115'	577.9mm (22.75")	189 lb.	6	11A	35.05m (115.0')	92762†	130085-0379
	116505308G2L	up to 90'	577.9mm (22.75")	190 lb.	8	8A	27.43m (90.0')	92782†	130085-0381
	116505310G3L	up to 60'	628.9mm (24.75")	191 lb.	10	7A	18.29m (60.0')	92702†	130085-0367
12	116505312G3L	up to 60'	628.9mm (24.75")	192 lb.	12	6A	18.29m (60.0')	92712†	130085-0368
	114310303G1L	up to 95'	416.1mm (16.38")	138 lb.	3	18A	28.96m (95.0')	92633*	130085-0361
	116505303G1L	95'-160'	527.1mm (20.75")	188 lb.	3	18A	48.77m (160.0')	92733†	130085-0370
	114310304G2L	up to 80'	416.1mm (16.38")	138 lb.	4	14A	24.38m (80.0')	92643*	130085-0364
10	116505304G2L	80'-140'	527.1mm (20.75")	188 lb.	4	14A	42.67m (140.0')	92743†	130085-0374
	116505308G3L	up to 60'	577.9mm (22.75")	190 lb.	8	12A	18.29m (60.0')	92783†	130085-0382
	116505304G2L	up to 120'	527.1mm (20.75")	188 lb.	4	16A	36.58m (120.0')	92744†	130085-0375
8	116505306G3L	up to 85'	577.9mm (22.75")	189 lb.	6	14A	25.91m (85.0')	92764†	130085-0025
	116505403G4L	up to 85'	577.9mm (22.75")	189 lb.	3	35A	25.91m (85.0')	92735†	130085-0905
6	116505404G5L	up to 60'	577.9mm (22.75")	190 lb.	4	32A	18.29m (60.0')	92745†	130085-0376
	116505402J4L	up to 65'	577.9mm (22.75")	189 lb.	2	55A	19.81m (65.0')	92726†	130085-0949
	116505403G5L	up to 50'	577.9mm (22.75")	189 lb.	3	45A	15.24m (50.0')	92736†	130085-0372
	116505404G6L	up to 40'	577.9mm (22.75")	190 lb.	4	44A	12.19m (40.0')	92746†	130085-0377
								9504	130226-1602
								9505	130086-0177

*Optional Pivot Base for Reel Series 92600

†Optional Pivot Base for Reel Series 92700

Industrial- and Heavy-Duty Cable Reel Mounting Techniques

Applications

- Horizontal stretch
- Drag
- Vertical lift
- Recovery
- Vertical recovery

Woodhead Industrial-Duty and Heavy-Duty Cable Reels are designed for top performance, long life, and easy maintenance. Series 9200, 9300 and 92400 are perfect for mobile electrical equipment, portable lighting or hand-held power tools, and can handle cord lengths up to 50'. For longer cord lengths and heavier gauge cord, our 92500, 92600 and 92700 cord reels are ideal for hoists, large electric tools and moving equipment.

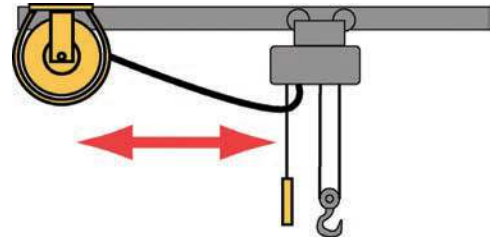
All of our industrial reels are suitable for vertical lift, vertical recovery and drag applications. We also have reels that have the correct spring tension for horizontal stretch and recovery applications. Where minimum cable sag is not critical, our industrial cord reels can be used for stretch service where an expected cable sag at mid-point of 10% is allowable.

Cable Reels

Mounting Application

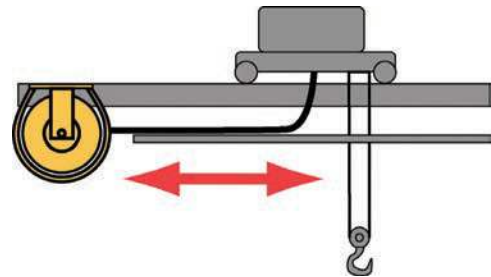
HORIZONTAL STRETCH

- Cable is suspended in the air, supported at both ends. The tension must accommodate about twice the total weight of the cable to maintain an acceptable 6% sag.



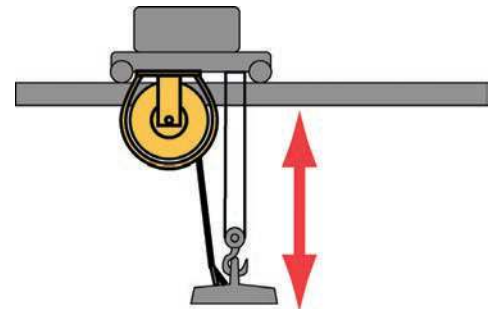
DRAG

- The reel is mounted in a permanent location. Cable is dragged over surface to and from fixed mounted reel. The tension required is about the same as the lift application.



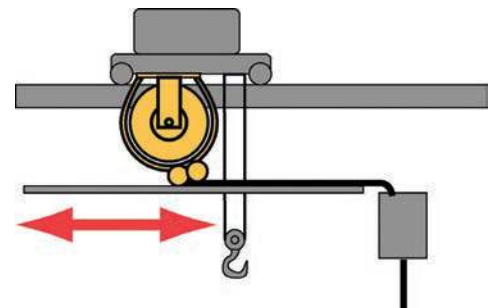
VERTICAL LIFT

- Reel is mounted overhead. Cable pays out downward and is retracted up via spring power. Reel must have enough tension to lift the total weight of the cable and any additional weight attached to it, e.g., pendant station, cable overhang.



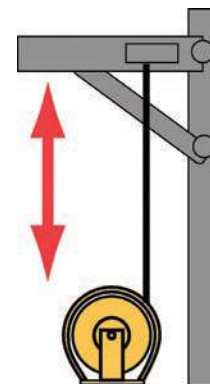
RECOVERY

- Mounted on a moving carrier, reel picks up cable from stationary base. The closer the reel is to the recovery surface, the less tension is required.



VERTICAL RECOVERY

- Base-mounted reel pays out cable upward. The reel is required only to recover the cable on the spool, as the cable moves downward. Minimal tension is needed to recover cable into the reel.



Not Finding the Cable Reel You Need Among Our Standard Offering?

No Problem — We Customize Cable Reels to Meet Your Specifications.



Our standard offering of Woodhead cable reels can handle up to 160' of cable, depending on gauge and conductor count. If those don't meet your needs, we also offer several more sizes of reels that can be fitted with the exact amount and type of cable you require.

Features and Benefits

- Frames can accommodate up to 250' of 16 AWG cable or up to 160' of 1 AWG cable
- Precision collector rings can be specified for up to 36 conductors
- All reels are custom made to fit your needs and are available with or without cable installed
- NEMA 3 and NEMA 4 enclosures (depending on frame size)
- Anti-lock-out ratchet design for reels with ratchet
- Silver-plated rings and brushes available for low-level signals

Reels for Hazardous Locations

Reels in our 1100 through 2800 series are available with enclosures designed to comply with requirements as defined in the National Electrical Code (NEC) for equipment used in classified locations.

Features include:

- Class I, Division 1, Group C & D
- Class II, Division 1, Group E, F & G
- Class III, Division 1, outdoor hazardous locations
- Fully enclosed junction boxes with connecting leads

Convenience Package Option

For reels used in critical processes, where downtime must be held to an absolute minimum, or where high labor costs make it necessary to minimize installation time, you can choose a reel with a convenience package (formerly referred to as Mill Duty) for reels in our 2000 through 2800 series.

Convenience package includes:

- Two junction boxes, which provide quick, easy access for all working and lead-in cable connections
- Quick-change spring motors allow the spring motor to be changed in moments
- Fast-tensioning end plate is designed so that set-up and tensioning of a reel can be completed in seconds, reducing downtime to a minimum

Cable Reels

RFQ — How to Order a Custom Reel

Simply complete the following Cable Reel RFQ form and submit to our Technical Support group. They typically respond with a quote within 24 hours.

Customer: _____
 Address: _____
 City: _____ State: _____ Zip: _____
 Today's Date: _____ Quote Needed By: _____
 Projected Purchase Date: _____

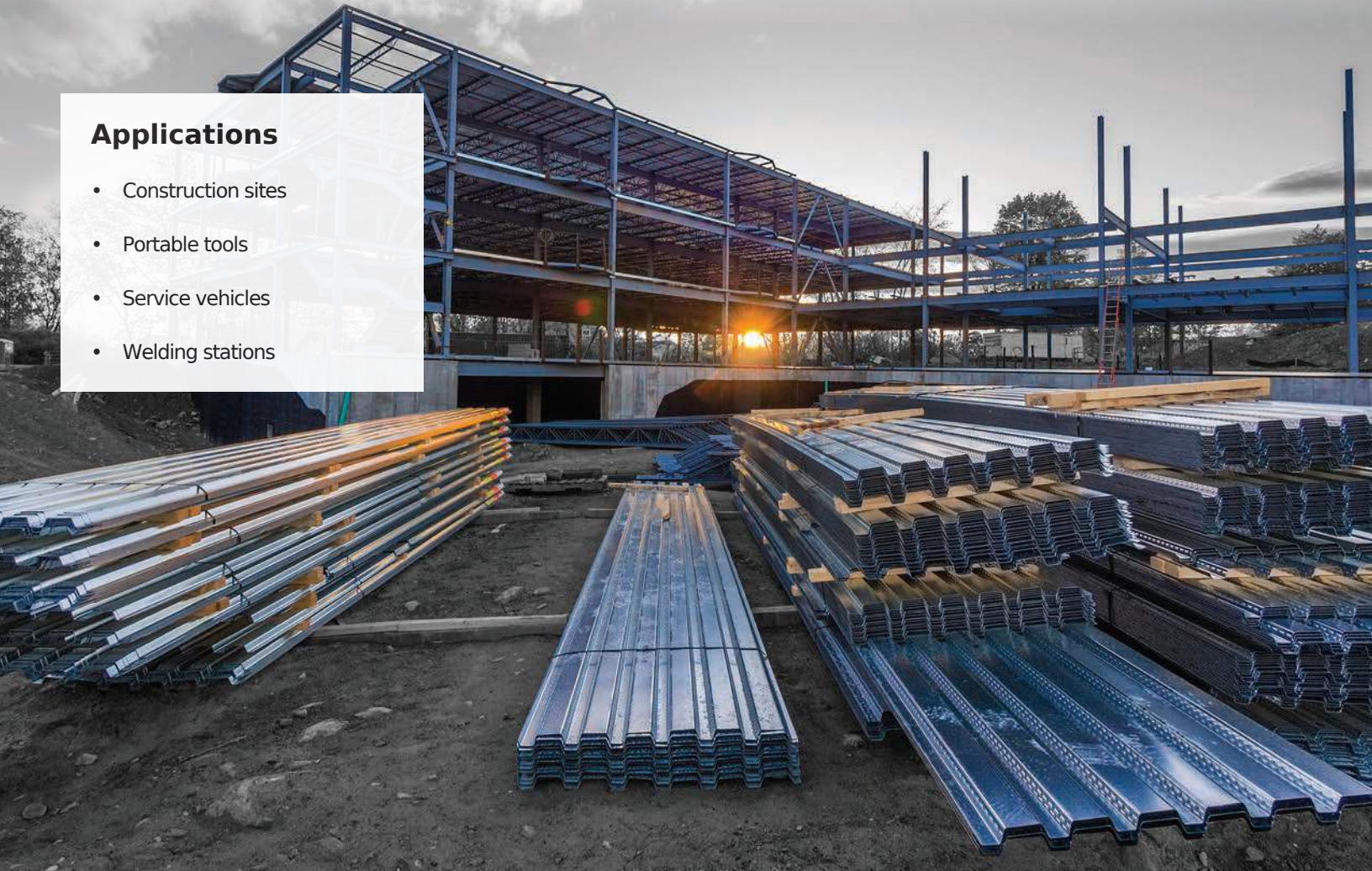
Contact: _____
 E-mail: _____
 Phone: _____
 Fax: _____

1. System quantity	
2a. Where will reel(s) be mounted?	
2b. Is reel for manual pullout or hooked to a machine for automated use?	
2c. If for automated use, is it a lift, stretch, recover or drag application?	
3a. Ambient conditions (in-/outdoors, dust, humidity, corrosive elements, explosion hazard, etc.). For hazardous reels the location designation is needed.	
3b. Ambient temperature change.	Max. _____ °F Min. _____ °F
4a. What is the total travel?	_____ (meters or feet)
4b. How many conductors? What amperage and voltage rating?	
4c. Has a cable AWG size been chosen?	
4d. Will cable be supplied or will the customer supply their own? If customer will supply, then supply cable OD and weight is needed.	
4e. May a special cable (premium type) be needed due to the application?	
5. Expected duty? (Severe, Heavy, Moderate, Light)	
6. If manual pull out, are there end of cable options like, outlet box, hand lamps, or plugs which need to be quoted? Is customer going to install their own end of cable option? If so, then we need to know the part weight. If manual pull-out, a roller guide and cable stop will be quoted if not part of the standard reel.	
7. Might a pivot base be needed or considered to reduce cable reel size?	
8. Include a single eye cable grip?	
9. On some models we can consider special convenience options like junction boxes and/or fast-tensioning plates, which shorten repair time. Might these features have value for the application?	
10. Maximum speed?	_____ fpm
11. Any mounting space limitations?	Width _____ Height _____ Depth _____
12. Additional relevant information pertaining to the selection of your cable reel? (past issues with other reels, etc.)	
13. Do you require additional data with the quotation?	_____ Installation/Service Manual _____ Catalog _____ Drawings (CAD?)
14. Send information to Molex	Email: witechsup@molex.com

Specialty Reels

Applications

- Construction sites
- Portable tools
- Service vehicles
- Welding stations



Woodhead hand-wind specialty reels offer robust construction and are ideal for continuous power service or for storage of extension cords, power cables, ropes, hoses, preventing cable knots and kinks.

- Heavy-duty design offers durability and long service life
- Large spool for greater storage capacity
- Steel-rod frame provides reliable support



Specialty Reels

Hand Wind, Welding

HAND WIND REELS — 100' 12/3 SOW TO 200' 16/3 SOW

Features and Benefits

- Capable of storing 200' of 16/3, 125' of 14/3 or 100' of 12/3 SOW cord
- Heavy-duty design provides convenient storage of extension cords, power cables, rope or hose

Specifications

Electrical	Versions with Cord: NEMA 5-15 plug at working end and NEMA 5-15 connector at reel end Cord: SOW, 600V rated
Physical	Construction: Steel with yellow powder-coat finish, no-spring hand-wind design
Reference Information	UL File No.: E22769 (930 only); E19795 (reel with cable) CSA File No.: LR29921 (930 only)



Cord Type	Cord Length	Engineering No.	Order No.
—	—	930	130087-0057
14/3 SOW	15.24m (50.0')	930B143	130087-0059
14/3 SOW	30.48m (100.0')	930D143	130087-0064
12/3 SOW	15.24m (50.0')	930B123	130087-0058
12/3 SOW	30.48m (100.0')	930D123	130087-0063



WELDING REELS

Features and Benefits

- NEMA 4 rating provides protection from water and dust, indoor and out
- Ratchet design prohibits annoying “lock-out” when cable is fully extended
- Cable guide is adjustable every 5° over a 270° arc, allowing for exact configuration to suit the application
- Containerized mainspring for safe, simple handling and replacement
- Reel includes cable (except ERA4000)

Specifications

Electrical	Collector Ring Rating: 375A Primary Cord Entry: 1" NPT
Physical	Construction: Cast aluminum with yellow powder-coat finish Working End: Flying leads; ball stop not included Ratchet Lock: Easily disengaged as needed Tension: Easily adjusted Junction Box: Large, easy-access Spring: Containerized, easily replaceable
Environmental	NEMA Rating: NEMA 4

Wire Gauge	Length	Current Rating	Engineering No.	Order No.
less cable	—	375	ERA4000	130083-0286
2	15.24m (50.0')	250	ERA4250	130083-0289
1	15.24m (50.0')	250	ERA4150	130083-0288
1/0	12.19m (40.0')	350	ERA4040	130083-0287
2/0	12.19m (40.0')	375	ERA4940	130083-0291





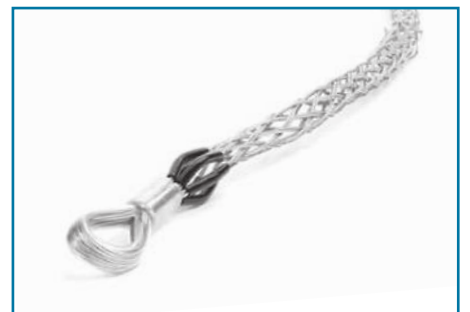
Woodhead Grips



Strain-Relief



Support



Pulling

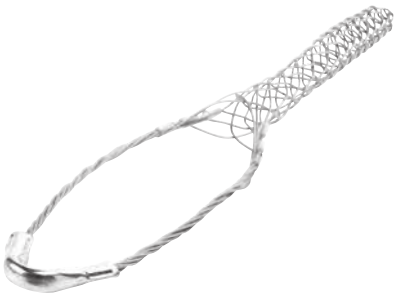
Woodhead Grips

STRAIN-RELIEF



Provide strain relief for cords or flexible conduit on plugs, connectors, push-button stations, enclosures and pendant or hanging boxes used on portable equipment.

SUPPORT



Indoor and outdoor support grips designed to distribute weight of vertical or sloping runs of electrical and fiber-optic cable, metal rods, tubing or hose over the entire length of the grip.

PULLING



Designed for overhead, underground or in-plant wiring applications; serve as reusable tools for pulling insulated conductors, bare wires, cable, fiber-optic cable, nylon and wire rope.



Woodhead Grips

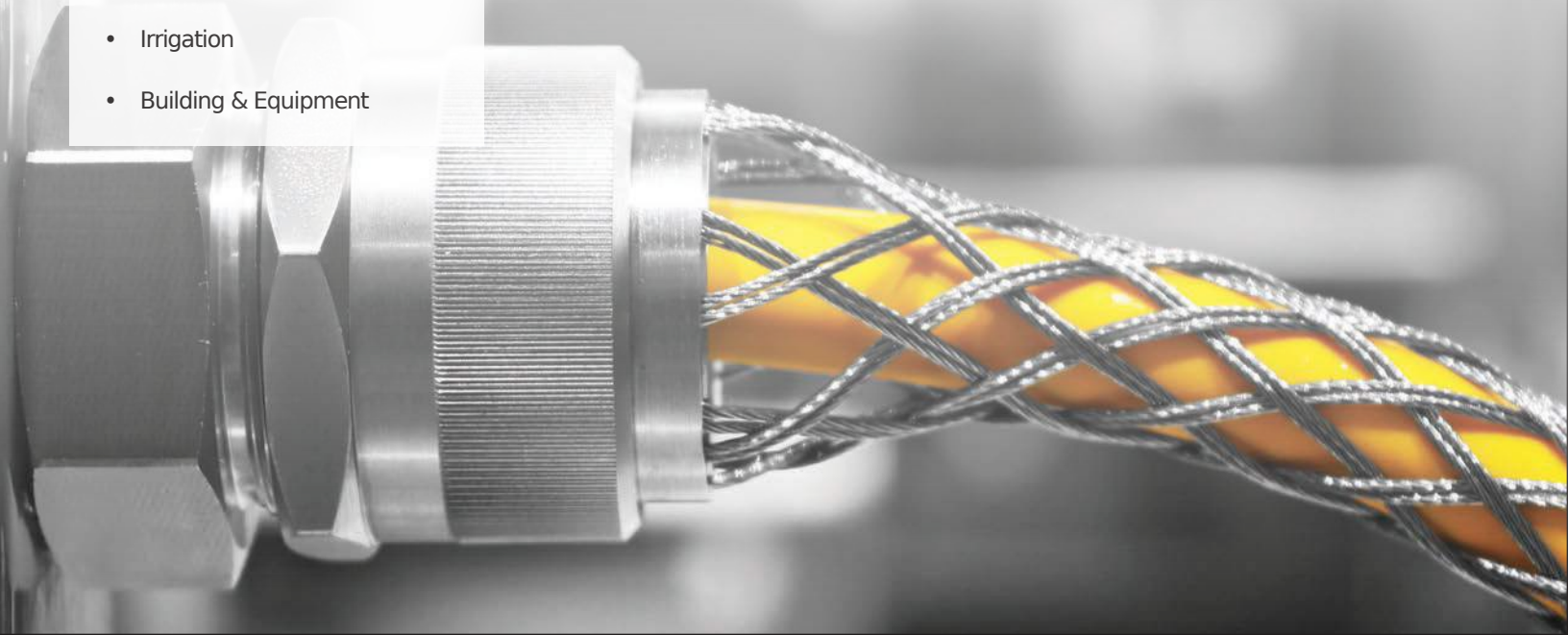
Strain-Relief	70
Strain Relief Grips for Flexible Cord	
Dust-Tight Strain Relief Grips	71
Deluxe Cord Grips; All Metal (General Duty, Wet Location, Hazardous Location)	72
MAX-LOC® Cord Grips; Nylon/Metal (General Duty, Wet Location)	74
MAX-LOC Accessories	84
Strain Relief Stainless Steel Grips; All Stainless Steel (General Duty, Wet Location)	85
Liquid-Tight Conduit Malleable Iron or Zinc-Plated Steel Body	86
Strain Relief Watertite® Cord Grip Stainless Steel or Non-Metallic Mesh	87
I-Grips for Wiring Devices	88
Support	89
Standard Duty	
Single Eye	90
Double Eye	91
Offset Eye	92
Locking Bale/Universal Eye	93
Heavy Duty	
Single Eye	94
Double Eye	94
Service Drop	95
Bus Drop	96
Pulling	97
Flexible Eye	
Junior Duty	98
Light Duty	98
Medium Duty	99
Medium/Heavy Duty	100
Rotating Eye Heavy Duty	101
Slack/Offset Eye Medium/Heavy Duty	101
Fiber Optic Grip Single Eye	103
Technical Information	104



Strain-Relief Grips

Applications

- Electrical
- Industrial
- HVAC
- Irrigation
- Building & Equipment



Plugs, connectors and boxes/enclosures in harsh areas demand strain relief for optimal performance. Woodhead grips reduce arc bend, assist in the load support of a hanging box and help to prevent pullout. Woodhead offers a solution for both standard and wet-location environments to ensure maximum life. Deluxe cord grips feature an aluminum body integrated with a stainless steel mesh. Non-metallic Max-Loc® grips are available with an O-ring and stainless steel or non-metallic mesh and are suitable for wet locations. Stainless steel Max-Loc fittings and wire mesh assemblies offer the greatest impact and chemical resistance to be applied in food processing, dairy, aerospace and clean room environments.



Strain Relief Grips

Flexible Cord

DUST-TIGHT — STRAIGHT MALE

Features and Benefits

- Wide diameter range and general purpose character accommodate many applications including electrical boxes and enclosures, machine tools and bus drops
- Galvanized steel mesh construction provides great strength
- Insulated throat provides conductor protection upon flexing and wire entry/exit

Specifications

Physical	Threaded Body: Aluminum
	Nut: Zinc-Plated Steel
	Mesh Collar: Zinc-Plated Steel and Aluminum
	Dust Seal Gasket: Neoprene
Environmental	Mesh Material: Galvanized Steel
	Insulating bushing: Thermoplastic
	Weave Type: Single weave mesh
Reference Information	Rating: Dust-tight, general purpose
	UL File No.: E76954
	CSA File No.: LR32159



Thread Size	Cable Diameter	Mesh Length	Engineering No.	Order No.
½" NPT	5.59–8.13mm (.22–.32")	0.083m (3.250")	36501	130097-0256
½" NPT	7.62–10.92mm (.30–.43")	0.095m (3.750")	36503	130097-0258
½" NPT	10.16–13.72mm (.40–.54")	0.121m (4.750")	36505	130097-0260
¾" NPT	13.21–18.54mm (.52–.73")	0.146m (5.750")	36508	130097-0262
1" NPT	17.78–24.64mm (.70–.97")	0.178m (7.000")	36512	130097-0265
1¼" NPT	23.88–31.75mm (.94–1.25")	0.229m (9.000")	36515	130097-0269
1½" NPT	30.48–38.10mm (1.20–1.50")	0.298m (11.750")	36516	130097-0271
2" NPT	35.56–44.45mm (1.40–1.75")	0.337m (13.250")	36517	130097-0272
2½" NPT	41.15–50.80mm (1.62–2.00")	0.343m (13.500")	36518	130097-0273
2½" NPT	50.80–62.23mm (2.00–2.45")	0.349m (13.750")	36519	130097-0274

Strain Relief Grips

Flexible Cord

DELUXE — ALL METAL

Features and Benefits

- Aluminum/stainless steel material construction performs well to resist corrosion
- 50% double weave construction improves cable protection and pull-out resistance
- Robust design good for indoor and outdoor use

Specifications

Physical	Threaded Body, Compression Nut, Mesh Collar: Aluminum
	Grommet: Rubber
	Friction Ring: Zinc-Plated Steel
	Mesh Material: Stainless Steel
Environmental	Weave Type: Half double and half single weave mesh
	Rating: Suitable for wet location if Molex gasket* is placed between fitting and NEMA 4 enclosures
	Suitable for use in hazardous locations
	Class I, Division 2 Class II, Division 1 and 2 (If used with Molex approved gasket) Class III, Division 1 and 2 (If used with Molex approved gasket)
Reference Information	UL File No.: E76954 CSA File No.: LR32159

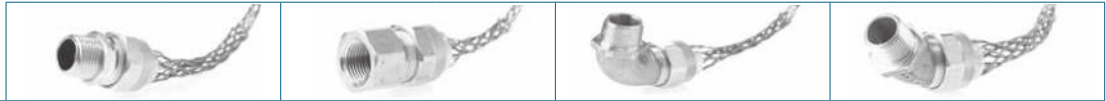


Straight Male

Right Angle Male



45° Angle Male



1/2" NPT

Cable Diameter	Form Size	Straight Male		Straight Female		Right Angle Male		45° Angle Male	
		Engineering No.	Order No.	Engineering No.	Order No.	Engineering No.	Order No.	Engineering No.	Order No.
4.75–6.35mm (.187–.250")	F2	36250	130097-0160	—	—	36340	130097-0210	36310	130097-0197
6.35–9.53mm (.250–.375")		36251	130097-0161	—	—	36342	130097-0211	36312	130097-0198
9.53–12.70mm (.375–.500")		36254	130097-0163	—	—	36344	130097-0212	36314	130097-0199
12.70–15.88mm (.500–.625")		36256	130097-0165	—	—	36346	130097-0213	36316	130097-0200
15.88–19.05mm (.625–.750")	F3	36245	130097-0156	—	—	—	—	—	—
19.05–22.23mm (.750–.875")		36246	130097-0157	—	—	—	—	—	—

3/4" NPT

Cable Diameter	Form Size	Straight Male		Form Size	Straight Female		Form Size	Right Angle Male		Form Size	45° Angle Male	
		Engineering No.	Order No.		Engineering No.	Order No.		Engineering No.	Order No.		Engineering No.	Order No.
6.35–9.53mm (.250–.375")	F2	36257	130097-0166	F2	36290	130097-0191	F3	—	—	F3	36317	130097-0201
9.53–12.70mm (.375–.500")		36259	130097-0167		—	—		36349	130097-0215		36319	130097-0202
12.70–15.88mm (.500–.625")	F3	36261	130097-0168	F3	—	—	36351	130097-0216	36321	130097-0203		
15.88–19.05mm (.625–.750")		36263	130097-0170		—	—	36353	130097-0217	36323	130097-0204		
19.05–22.23mm (.750–.875")		36248	130097-0158		—	—	—	—	—	—		

1" NPT

Cable Diameter	Form Size	Straight Male		Straight Female		Right Angle Male		45° Angle Male	
		Engineering No.	Order No.	Engineering No.	Order No.	Engineering No.	Order No.	Engineering No.	Order No.
11.10–14.27mm (.437–.562")	F4	—	—	—	—	36829	130097-0295	36826	130097-0629
11.10–14.40mm (.437–.567")		36249	130097-0159	—	—	—	—	—	—
14.27–17.45mm (.562–.687")		—	—	—	—	36830	130097-0296	36827	130097-0294
14.40–17.45mm (.567–.687")		36275	130097-0179	—	—	—	—	—	—
15.88–19.05mm (.625–.750")		36265	130097-0171	—	—	36355	130097-0218	36326	130097-0205
19.05–22.23mm (.750–.875")		36267	130097-0172	—	—	36357	130097-0219	36328	130097-0206
22.23–25.40mm (.875–1.000")		36269	130097-0173	—	—	36359	130097-0220	36330	130097-0207
25.40–28.58mm (1.000–1.125")	F5	36270	130097-0174	—	—	—	—	—	—
28.58–31.75mm (1.125–1.250")		36276	130097-0180	—	—	—	—	—	—

Note: Refer to page 104 Technical Section for component details.

Strain Relief Grips

Flexible Cord



1¼" NPT			
Cable Diameter	Form Size	Straight Male	
		Engineering No.	Order No.
19.05–22.23mm (.750–.875")	F5	36277	130097-0181
22.23–25.40mm (.875–1.000")		36271	130097-0175
25.40–28.58mm (1.000–1.125")		36272	130097-0176
28.58–31.75mm (1.125–1.250")		36273	130097-0177
31.75–34.93mm (1.250–1.375")		36274	130097-0178

1½" NPT			
Cable Diameter	Form Size	Straight Male	
		Engineering No.	Order No.
19.05–22.23mm (.750–.875")	F5	36278	130097-0182
22.23–25.40mm (.875–1.000")		36475	130097-0235
25.40–28.58mm (1.000–1.125")		36476	130097-0236
28.58–31.75mm (1.125–1.250")		36477	130097-0237
31.75–34.93mm (1.250–1.375")		36478	130097-0238
33.32–36.50mm (1.312–1.437")	F6	36479	130097-0239
36.50–39.67mm (1.437–1.562")		36480	130097-0240

2" NPT			
Cable Diameter	Form Size	Straight Male	
		Engineering No.	Order No.
31.75–34.93mm (1.250–1.375")	F6	36484	130097-0244
33.32–36.50mm (1.312–1.437")		36279	130097-0183
36.50–39.67mm (1.437–1.562")		36485	130097-0245
39.63–42.67mm (1.560–1.680")		36486	130097-0246
42.67–45.97mm (1.680–1.810")		36487	130097-0247
44.45–47.63mm (1.750–1.875")		36488	130097-0248
46.02–49.20mm (1.812–1.937")	F7	36489	130097-0249
49.20–52.37mm (1.937–2.062")		36816	130097-0292
52.37–55.55mm (2.062–2.187")		36287	130097-0188
55.55–58.72mm (2.187–2.312")		36288	130097-0189
58.72–61.90mm (2.312–2.437")		36289	130097-0190

2½" NPT			
Cable Diameter	Form Size	Straight Male	
		Engineering No.	Order No.
42.85–46.02mm (1.687–1.812")	F7	36800	130097-0276
46.02–49.20mm (1.812–1.937")		36801	130097-0277
49.20–52.37mm (1.937–2.062")		36802	130097-0278
52.37–55.55mm (2.062–2.187")		36803	130097-0279
55.55–58.72mm (2.187–2.312")		36804	130097-0280
58.72–61.90mm (2.312–2.437")		36805	130097-0281

3" NPT			
Cable Diameter	Form Size	Straight Male	
		Engineering No.	Order No.
42.88–46.02mm (1.688–1.812")	F8	36806	130097-0282
46.02–49.20mm (1.812–1.937")		36807	130097-0283
49.20–52.37mm (1.937–2.062")		36808	130097-0284
52.37–55.55mm (2.062–2.187")		36809	130097-0285
55.55–58.72mm (2.187–2.312")		36810	130097-0286
58.72–61.90mm (2.312–2.437")		36811	130097-0287
61.90–66.68mm (2.437–2.625")		36812	130097-0288
66.68–71.42mm (2.625–2.812")		36813	130097-0289
71.42–76.20mm (2.812–3.000")		36814	130097-0290
76.20–82.55mm (3.000–3.250")		36815	130097-0291

Note: Refer to page 104 Technical Section for component details.

Strain Relief Grips

Flexible Cord

MAX-LOC® — STRAIGHT MALE

Features and Benefits

- Rugged construction suitable for boxes, cabinets, push-button and general use enclosures
- Nylon body is resistant to impact and corrosion
- Rubber grommet provides a liquid-tight seal and reduces cord pull-out
- Rubber grommet resists chemicals and handles a wide temperature range

Specifications

Physical	Gray Cord Grip Body and Compression Nut, Washer (white): Nylon
	Grommet: Rubber O-Ring: Neoprene Nut: Zinc-Plated Steel
Environmental	Cord Seal: Liquid-tight
	Rating: Type 3R Max-Loc without O-ring Type; Type 6P with O-ring/locknut
Reference Information	Cord Seal: Liquid-tight
	Rating: Type 3R Max-Loc without O-ring Type; Type 6P with O-ring/locknut



Without O-Ring/Locknut*



With O-Ring/Locknut



¼" NPT

Cable Diameter	Form Size	Grommet Color	Without O-Ring/Locknut*		Replacement Grommet	
			Engineering No.	Order No.	Engineering No.	Order No.
1.91–3.43mm (.075–.135")	F0	Black	5398†	130098-0024	00-0920	130180-0335
3.43–5.08mm (.135–.200")		Gray	5400†	130098-0025	00-0921	130180-0336
5.08–6.73mm (.200–.265")		Green	5402†‡	130098-0026	00-0922	130180-0337

⅜" NPT

Cable Diameter	Form Size	Grommet Color	Without O-Ring/Locknut*		Replacement Grommet	
			Engineering No.	Order No.	Engineering No.	Order No.
3.18–4.75mm (.125–.187")	F1	Yellow	5500	130098-0027	00-4960	130180-0398
4.75–6.35mm (.187–.250")		Orange	5502	130098-0029	00-4961	130180-0399
6.35–7.93mm (.250–.312")		Black	5504	130098-0031	00-4962	130180-0186
7.93–9.53mm (.312–.375")		Gray	5506	130098-0032	00-4963	130180-0163
9.53–11.10mm (.375–.437")		Green	5508‡	130098-0034	00-4964	130180-0400

* Refer to page 84 Max-Loc Accessories for gaskets and locknuts

† Not UL listed

‡ Cable jacket may need to be stripped for clearance

Strain Relief Grips

Flexible Cord



½" NPT								
Cable Diameter	Form Size	Grommet Color	Without O-Ring/Locknut*		With O-Ring/Locknut		Replacement Grommet	
			Engineering No.	Order No.	Engineering No.	Order No.	Engineering No.	Order No.
1.57–3.18mm (.062–.125")	F2	Black	5518 [†]	130098-0036	5518W [†]	130098-0038	00-4978	130180-0405
3.18–4.75mm (.125–.187")		Yellow	5520	130098-0041	5520W	130098-0043	00-4970	130180-0401
4.75–6.35mm (.187–.250")		Orange	5522	130098-0046	5522W	130098-0049	00-4971	130180-0402
6.35–7.93mm (.250–.312")		Black	5524	130098-0052	5524W	130098-0056	00-4972	130180-0403
7.93–9.53mm (.312–.375")		Gray	5526	130098-0061	5526W	130098-0064	00-5263	130180-0286
9.53–11.10mm (.375–.437")		Green	5528	130098-0069	5528W	130098-0071	00-5264	130180-0287
11.10–12.70mm (.437–.500")		Orange	5530	130098-0076	5530W	130098-0078	00-4975	130180-0404
12.70–14.27mm (.500–.562")		Black	5532 [‡]	130098-0082	5532W [‡]	130098-0086	00-5266	130180-0288
14.27–15.88mm (.562–.625")		Gray	5534 [‡]	130097-0327	5534W [‡]	130098-0092	00-5267	130180-0289

¾" NPT								
Cable Diameter	Form Size	Grommet Color	Without O-Ring/Locknut*		With O-Ring/Locknut		Replacement Grommet	
			Engineering No.	Order No.	Engineering No.	Order No.	Engineering No.	Order No.
4.75–6.35mm (.187–.250")	F3	Orange	5620	130098-0235	5620W	130098-0215	00-4985	130180-0407
6.35–9.53mm (.250–.375")		Gray	5622	130098-0236	5622W	130098-0221	00-4986	130180-0408
9.53–11.10mm (.375–.437")		Green	5624	130098-0225	5624W	130098-0227	00-4987	130180-0409
11.10–14.27mm (.437–.562")		Black	5536	130098-0096	5536W	130098-0099	00-4980	130180-0278
12.70–15.88mm (.500–.625")		Gray	5538	130098-0103	5538W	130098-0107	00-4981	130180-0279
14.27–17.45mm (.562–.687")		Green	5540	130098-0112	5540W	130098-0114	00-4982	130180-0280
15.88–19.05mm (.625–.750")		Orange	5542	130098-0118	5542W	130098-0121	00-4983	130180-0281
17.45–20.62mm (.687–.812")		Yellow	5544 [‡]	130098-0126	5544W [‡]	130098-0129	00-4984	130180-0406

1" NPT								
Cable Diameter	Form Size	Grommet Color	Without O-Ring/Locknut*		With O-Ring/Locknut		Replacement Grommet	
			Engineering No.	Order No.	Engineering No.	Order No.	Engineering No.	Order No.
11.10–14.27mm (.437–.562")	F4	Black	5546	130098-0132	5546W	130098-0133	00-4990	130180-0410
12.70–15.88mm (.500–.625")		Gray	5548	130098-0136	5548W	130098-0137	00-4991	130180-0411
14.27–17.45mm (.562–.687")		Green	5550	130098-0139	5550W	130098-0141	00-4992	130180-0282
15.88–19.05mm (.625–.750")		Orange	5552	130098-0143	5552W	130098-0146	00-4993	130180-0283
17.45–20.62mm (.687–.812")		Yellow	5554	130098-0150	5554W	130098-0151	00-4994	130180-0412
19.05–22.23mm (.750–.875")		Black	5556	130098-0155	5556W	130098-0157	00-4995	130180-0413
20.62–23.80mm (.812–.937")		Gray	5558	130098-0161	5558W	130098-0164	00-4996	130180-0284
22.23–25.40mm (.875–1.000")		Green	5560	130098-0166	5560W	130098-0167	00-4997	130180-0414
25.40–28.58mm (1.000–1.125")		Black	5562 [‡]	130098-0171	5562W [‡]	130098-0172	00-4998	130180-0285

1¼" NPT								
Cable Diameter	Form Size	Grommet Color	Without O-Ring/Locknut*				Replacement Grommet	
			Engineering No.	Order No.			Engineering No.	Order No.
19.05–22.23mm (.750–.875")	F5	Orange	5568	130098-0174			00-5070	130180-0308
22.23–25.40mm (.875–1.000")		Yellow	5570	130098-0176			00-5071	130180-0309
25.40–28.58mm (1.000–1.125")		Black	5572	130098-0178			00-5072	130180-0310
28.58–31.75mm (1.125–1.250")		Green	5574	130098-0180			00-5073	130180-0311
31.75–34.42mm (1.250–1.355")		Gray	5576 [‡]	130098-0182			00-5074	130180-0312

* Refer to page 84 Max-Loc Accessories for gaskets and locknuts

[†] Not UL listed

[‡] Cable jacket may need to be stripped for clearance

Strain Relief Grips

Flexible Cord

MAX-LOC® BLACK — STRAIGHT MALE

Features and Benefits

- Rugged construction suitable for boxes, cabinets, push-button and general use enclosures
- Black Valox body is resistant to impact, corrosion and UV/sunlight
- Rubber grommet provides a liquid-tight seal and reduces cord pull-out
- Rubber grommet resists chemicals and handles a wide temperature range

Specifications

Physical	Black Cord Grip Body and Compression Nut: Valox*
	Washer (white): Nylon Grommet: Rubber O-Ring: Neoprene Nut: Zinc-Plated Steel
Environmental	Cord Seal: Liquid-tight Rating: Type 6P Stability: UV resistant
	Reference Information UL File No.: E76954 CSA File No.: LR32159



* Trademark of SABIC Innovative Plastics IP BV



½" NPT

Cable Diameter	Form Size	Grommet Color	With O-Ring/Locknut		Replacement Grommet	
			Engineering No.	Order No.	Engineering No.	Order No.
6.35–9.53mm (.250–.375")	F2	Black	5524WBLK	130098-0057	00-4972	130180-0403
7.93–9.53mm (.312–.375")		Gray	5526WBLK	130098-0065	00-5263	130180-0286
9.53–11.10mm (.375–.437")		Green	5528WBLK	130098-0072	00-5264	130180-0287
11.10–12.70mm (.437–.500")		Orange	5530WBLK	130098-0079	00-4975	130180-0404
12.70–14.27mm (.500–.562")		Black	5532WBLK [†]	130098-0087	00-5266	130180-0288

[†] Cable jacket may need to be stripped for clearance

¾" NPT

Cable Diameter	Form Size	Grommet Color	With O-Ring/Locknut		Replacement Grommet	
			Engineering No.	Order No.	Engineering No.	Order No.
4.75–6.35mm (.187–.250")	F3	Orange	5620WBLK	130098-0216	00-4985	130180-0407
6.35–9.53mm (.250–.375")		Gray	5622WBLK	130098-0222	00-4986	130180-0408
9.53–11.10mm (.375–.437")		Green	5624WBLK	130098-0228	00-4987	130180-0409
11.10–14.27mm (.437–.562")		Black	5536WBLK	130098-0100	00-4980	130180-0278
12.70–15.88mm (.500–.625")		Gray	5538WBLK	130098-0108	00-4981	130180-0279
14.27–17.45mm (.562–.687")		Green	5540WBLK	130098-0115	00-4982	130180-0280
15.88–19.05mm (.625–.750")		Orange	5542WBLK	130098-0122	00-4983	130180-0281

1" NPT

Cable Diameter	Form Size	Grommet Color	With O-Ring/Locknut		Replacement Grommet	
			Engineering No.	Order No.	Engineering No.	Order No.
15.88–19.05mm (.625–.750")	F4	Orange	5552WBLK	130098-0147	00-4993	130180-0283
17.45–20.62mm (.687–.812")		Yellow	5554WBLK	130098-0152	00-4994	130180-0412
19.05–22.23mm (.750–.875")		Black	5556WBLK	130098-0158	00-4995	130180-0413
20.62–23.80mm (.812–.937")		Gray	5558WBLK	130098-0429	00-4996	130180-0284
22.23–25.40mm (.875–1.000")		Green	5560WBLK	130098-0168	00-4997	130180-0414

Strain Relief Grips

Flexible Cord

MAX-LOC® MULTI-HOLE — STRAIGHT MALE

Features and Benefits

- Rugged construction suitable for boxes, cabinets, push-button and general use enclosures
- Gray nylon body is resistant to impact and corrosion
- Rubber grommet provides a liquid-tight seal and reduces cord pull-out
- Rubber grommet resists chemicals and handles a wide temperature range

Specifications

Physical	Gray Cord Grip Body and Compression Nut, Washer (white): Nylon
	Grommet: Rubber O-Ring: Neoprene Nut: Zinc-Plated Steel
Environmental	Cord Seal: Liquid-tight
	Rating: Type 3R without O-ring/Locknut; Type 6P with O-Ring/Locknut
Reference Information	UL File No.: E76954 CSA File No.: LR32159



½" NPT									
Cable Diameter	Number of Holes	Form Size	Grommet Color	Without O-Ring/Locknut*		With O-Ring/Locknut		Replacement Grommet	
				Engineering No.	Order No.	Engineering No.	Order No.	Engineering No.	Order No.
3.96mm (.156")	2, 3, or 4 [‡]	F2	Orange	5594-007	130098-0202	5594-007W	130098-0203	00-1924	130180-0318
4.75mm (.187")	2, 3, 4, 5, 6, or 7 [‡]		Yellow	5594-008	130098-0204	5594-008W	130098-0205	00-1925	130180-0319
5.72mm (.225")	2, 3, or 4 [‡]		Black	5594-004	130098-0195	5594-004W	130098-0196	00-1921	130180-0315
6.35mm (.250")	2 or 3 [‡]		Gray	5594-005	130098-0197	5594-005W	130098-0198	00-1922	130180-0316
7.37mm (.290")	2		Black	5594-006	130098-0199	5594-006W	130098-0200	00-1923	130180-0317

[‡] Indicates one or more holes are covered by a thin membrane that can be easily "poked" open if required.

MAX-LOC® OVAL HOLE (UF CABLE) — STRAIGHT MALE

Features and Benefits

- Rugged construction suitable for boxes, cabinets, push-button and general use enclosures
- Gray nylon body is resistant to impact and corrosion
- Rubber grommet provides a liquid-tight seal and reduces cord pull-out
- Rubber grommet resists chemicals and handles a wide temperature range

Specifications

Physical	Gray Cord Grip Body and Compression Nut, Washer (white): Nylon
	Grommet: Rubber O-Ring: Neoprene Nut: Zinc-Plated Steel
Environmental	Cord Seal: Liquid-tight
	Rating: Type 3R without O-ring/Locknut; Type 6P with O-Ring/Locknut
Reference Information	UL File No.: E76954 CSA File No.: LR32159



½" NPT							
Cable Diameter	Form Size	Without O-Ring/Locknut*		With O-Ring/Locknut		Replacement Grommet	
		Engineering No.	Order No.	Engineering No.	Order No.	Engineering No.	Order No.
5.54x10.69mm (.218x.421") Oval	F2	5580	130098-0185	5580W	130098-0186	00-4940	130180-0392
5.54x16.26mm (.218x.640") Oval		5582	130098-0188	5582W	130098-0189	00-4941	130180-0393

¾" NPT							
Cable Diameter	Form Size	Without O-Ring/Locknut*		With O-Ring/Locknut		Replacement Grommet	
		Engineering No.	Order No.	Engineering No.	Order No.	Engineering No.	Order No.
5.54x10.69mm (.218x.421") Oval	F2	5580	130098-0185	5580W	130098-0186	00-4940	130180-0392
5.54x16.26mm (.218x.640") Oval		5582	130098-0188	5582W	130098-0189	00-4941	130180-0393

* Refer to page 84 Max-Loc Accessories for gaskets and locknuts

Strain Relief Grips

Flexible Cord

MAX-LOC® WITH MESH — STRAIGHT MALE

Features and Benefits

- Rugged construction suitable for boxes, cabinets, push-button and general use enclosures
- Nylon body is resistant to impact and corrosion
- Rubber grommet provides a liquid-tight seal and reduces cord pull-out
- Grommets are color-coded for easy identification
- Rubber grommet resists chemicals and handles a wide temperature range
- Available stainless steel mesh yields high strength, corrosion resistance and slight conductivity
- Available non-metallic mesh yields moderate strength, corrosion resistance, great flexibility and no conductivity

Specifications

Physical	Gray Cord Grip Body and Compression Nut, Washer (white): Nylon
	Grommet: Rubber O-Ring: Neoprene Nut: Zinc-Plated Steel Weave Type: Half double weave, half single weave mesh
Environmental	Cord Seal: Liquid-tight
	Rating: Suitable for wet location when used with Molex O-Ring/Gasket*
Reference Information	UL File No.: E76954
	CSA File No.: LR32159



Stainless Steel Mesh

Non-Metallic Mesh



½" NPT

Cable Diameter	Form Size	Grommet Color	Stainless Steel Mesh Without O-Ring/Locknut*		Non-Metallic Mesh Without O-Ring/Locknut*		Replacement Grommet	
			Engineering No.	Order No.	Engineering No.	Order No.	Engineering No.	Order No.
4.75–6.35mm (.187–.250")	F2	Orange	5522M	130099-0068	5522NM	130099-0069	00-4971	130180-0402
6.35–7.93mm (.250–.312")		Black	5524M	130099-0072	5524NM	130099-0073	00-4972	130180-0403
7.93–9.53mm (.312–.375")		Gray	5526M	130099-0076	5526NM	130099-0077	00-5263	130180-0286
9.53–11.10mm (.375–.437")		Green	5528M	130099-0080	5528NM	130099-0081	00-5264	130180-0287
11.10–12.70mm (.437–.500")		Orange	5530M	130099-0084	5530NM	130099-0085	00-4975	130180-0404
12.70–14.27mm (.500–.562")		Black	5532M†	130099-0088	—	—	00-5266	130180-0288
14.27–15.88mm (.562–.625")		Gray	5534M†	130099-0090	—	—	00-5267	130180-0289

* Refer to page 84 Max-Loc Accessories for gaskets and locknuts

† Cable jacket may need to be stripped for clearance

Strain Relief Grips

Flexible Cord



¾" NPT								
Cable Diameter	Form Size	Grommet Color	Stainless Steel Mesh Without O-Ring/Locknut*		Non-Metallic Mesh Without O-Ring/Locknut*		Replacement Grommet	
			Engineering No.	Order No.	Engineering No.	Order No.	Engineering No.	Order No.
4.75–6.35mm (.187–.250")	F3	Orange	5620M	130099-0153	5620NM	130099-0154	00-4985	130180-0407
6.35–9.53mm (.250–.375")		Gray	5622M	130099-0157	5622NM	130099-0158	00-4986	130180-0408
9.53–11.10mm (.375–.437")		Green	5624M	130099-0161	5624NM	130099-0162	00-4987	130180-0409
11.10–14.27mm (.437–.562")		Black	5536M	130099-0092	5536NM	130099-0093	00-4980	130180-0278
12.70–15.88mm (.500–.625")		Gray	5538M	130099-0096	5538NM	130099-0097	00-4981	130180-0279
14.27–17.45mm (.562–.687")		Green	5540M	130099-0100	5540NM	130099-0101	00-4982	130180-0280
15.88–19.05mm (.625–.750")		Orange	5542M	130099-0104	5542NM	130099-0105	00-4983	130180-0281
17.45–20.62mm (.687–.812")		Yellow	5544M†	130099-0108	—	—	00-4984	130180-0406

1" NPT								
Cable Diameter	Form Size	Grommet Color	Stainless Steel Mesh Without O-Ring/Locknut*		Non-Metallic Mesh Without O-Ring/Locknut*		Replacement Grommet	
			Engineering No.	Order No.	Engineering No.	Order No.	Engineering No.	Order No.
11.10–14.27mm (.437–.562")	F4	Black	5546M	130099-0110	5546NM	130099-0111	00-4990	130180-0410
12.70–15.88mm (.500–.625")		Gray	5548M	130099-0113	5548NM	130099-0114	00-4991	130180-0411
14.27–17.45mm (.562–.687")		Green	5550M	130099-0116	5550NM	130099-0117	00-4992	130180-0282
15.88–19.05mm (.625–.750")		Orange	5552M	130099-0119	5552NM	130099-0120	00-4993	130180-0283
17.45–20.62mm (.687–.812")		Yellow	5554M	130099-0123	5554NM	130099-0124	00-4994	130180-0412
19.05–22.23mm (.750–.875")		Black	5556M	130099-0127	5556NM	130099-0128	00-4995	130180-0413
20.62–23.80mm (.812–.937")		Gray	5558M	130099-0131	5558NM	130099-0132	00-4996	130180-0284
22.23–25.40mm (.875–1.000")		Green	5560M	130099-0134	5560NM†	130099-0135	00-4997	130180-0414

* Refer to page 84 Max-Loc Accessories for gaskets and locknuts

† Cable jacket may need to be stripped for clearance

Strain Relief Grips

Flexible Cord

MAX-LOC® — RIGHT ANGLE MALE

Features and Benefits

- Rugged construction suitable for boxes, cabinets, push-button and general use enclosures
- Nylon body is resistant to impact and corrosion
- Rubber grommet provides a liquid-tight seal and reduces cord pull-out
- Grommets are color-coded for easy identification
- Rubber grommet resists chemicals and handles a wide temperature range

Specifications

Physical	Gray Cord Grip Body and Compression Nut, Washer (white): Nylon Grommet: Rubber O-Ring: Neoprene Nut: Zinc-Plated Steel
Environmental	Cord Seal: Liquid-tight Rating: Type 3R Max-Loc without O-ring Type; Type 6P with O-ring/Locknut
Reference Information	UL File No.: E76954 CSA File No.: LR32159



Without O-Ring/Locknut*



With O-Ring/Locknut



3/8" NPT

Cable Diameter	Form Size	Grommet Color	Without O-Ring/Locknut*		Replacement Grommet		
			Engineering No.	Order No.	Engineering No.	Order No.	
3.18–4.75mm (.125–.187")	F1	Yellow	5501	130098-0028		00-4960	130180-0398
4.75–6.35mm (.187–.250")		Orange	5503	130098-0030		00-4961	130180-0399
6.35–7.93mm (.250–.312")		Black	5505	130098-0425		00-4962	130180-0186
7.93–9.53mm (.312–.375")		Gray	5507	130098-0033		00-4963	130180-0163
9.53–11.10mm (.375–.437")		Green	5509†	130098-0035		00-4964	130180-0400



1/2" NPT

Cable Diameter	Form Size	Grommet Color	Without O-Ring/Locknut*		With O-Ring/Locknut		Replacement Grommet	
			Engineering No.	Order No.	Engineering No.	Order No.	Engineering No.	Order No.
1.57–3.18mm (.062–.125")	F2	Black	5519†	130098-0039	5519W†	130098-0040	00-4978	130180-0405
3.18–4.75mm (.125–.187")		Yellow	5521	130098-0044	5521W	130098-0045	00-4970	130180-0401
4.75–6.35mm (.187–.250")		Orange	5523	130098-0050	5523W	130098-0051	00-4971	130180-0402
6.35–7.93mm (.250–.312")		Black	5525	130098-0058	5525W	130098-0060	00-4972	130180-0403
7.93–9.53mm (.312–.375")		Gray	5527	130098-0066	5527W	130098-0068	00-5263	130180-0286
9.53–11.10mm (.375–.437")		Green	5529	130098-0073	5529W	130098-0075	00-5264	130180-0287
11.10–12.70mm (.437–.500")		Orange	5531	130098-0080	5531W	130098-0081	00-4975	130180-0404
12.70–14.27mm (.500–.562")		Black	5533‡	130098-0089	5533W‡	130098-0090	00-5266	130180-0288
14.27–15.88mm (.562–.625")		Gray	5535‡	130097-0093	5535W‡	130098-0095	00-5267	130180-0289

* Refer to page 84 Max-Loc Accessories for gaskets and locknuts

† Not UL listed

‡ Cable jacket may need to be stripped for clearance

Strain Relief Grips

Flexible Cord



3/4" NPT								
Cable Diameter	Form Size	Grommet Color	Without O-Ring/Locknut*		With O-Ring/Locknut		Replacement Grommet	
			Engineering No.	Order No.	Engineering No.	Order No.	Engineering No.	Order No.
4.75–6.35mm (.187–.250")	F3	Orange	5621	130098-0217	5621W	130098-0218	00-4985	130180-0407
6.35–9.53mm (.250–.375")		Gray	5623	130098-0223	5623W	130098-0224	00-4986	130180-0408
9.53–11.10mm (.375–.437")		Green	5625	130098-0229	5625W	130098-0230	00-4987	130180-0409
11.10–14.27mm (.437–.562")		Black	5537	130098-0101	5537W	130098-0102	00-4980	130180-0278
12.70–15.88mm (.500–.625")		Gray	5539	130098-0109	5539W	130098-0111	00-4981	130180-0279
14.27–17.45mm (.562–.687")		Green	5541	130098-0116	5541W	130098-0117	00-4982	130180-0280
15.88–19.05mm (.625–.750")		Orange	5543	130098-0123	5543W	130098-0125	00-4983	130180-0281
17.45–20.62mm (.687–.812")		Yellow	5545 [‡]	130098-0130	5545W [‡]	130098-0131	00-4984	130180-0406

1" NPT								
Cable Diameter	Form Size	Grommet Color	Without O-Ring/Locknut*		With O-Ring/Locknut		Replacement Grommet	
			Engineering No.	Order No.	Engineering No.	Order No.	Engineering No.	Order No.
11.10–14.27mm (.437–.562")	F4	Black	5547	130098-0134	5547W	130098-0135	00-4990	130180-0410
12.70–15.88mm (.500–.625")		Gray	5549	130098-0138	—	—	00-4991	130180-0411
14.27–17.45mm (.562–.687")		Green	5551	130098-0142	—	—	00-4992	130180-0282
15.88–19.05mm (.625–.750")		Orange	5553	130098-0148	5553W	130098-0149	00-4993	130180-0283
17.45–20.62mm (.687–.812")		Yellow	5555	130098-0153	5555W	130098-0154	00-4994	130180-0412
19.05–22.23mm (.750–.875")		Black	5557	130098-0159	5557W	130098-0160	00-4995	130180-0413
20.62–23.80mm (.812–.937")		Gray	5559	130098-0165	—	—	00-4996	130180-0284
22.23–25.40mm (.875–1.000")		Green	5561	130098-0169	5561W	130098-0170	00-4997	130180-0414
25.40–28.58mm (1.000–1.125")		Black	5563 [‡]	130098-0173	—	—	00-4998	130180-0285

1 1/4" NPT								
Cable Diameter	Form Size	Grommet Color	Without O-Ring/Locknut*		With O-Ring/Locknut		Replacement Grommet	
			Engineering No.	Order No.	Engineering No.	Order No.	Engineering No.	Order No.
19.05–22.23mm (.750–.875")	F5	Orange	5569	130098-0175	—	—	00-5070	130180-0308
22.23–25.40mm (.875–1.000")		Yellow	5571	130098-0177	—	—	00-5071	130180-0309
25.40–28.58mm (1.000–1.125")		Black	5573	130098-0179	—	—	00-5072	130180-0310
28.58–31.75mm (1.125–1.250")		Green	5575	130098-0181	—	—	00-5073	130180-0311
31.75–34.42mm (1.250–1.355")		Gray	5577 [‡]	130098-0184	—	—	00-5074	130180-0312

* Refer to page 84 Max-Loc Accessories for gaskets and locknuts

[‡] Cable jacket may need to be stripped for clearance

Strain Relief Grips

Flexible Cord

MAX-LOC® MULTI-HOLE — RIGHT ANGLE MALE

Features and Benefits

- Rugged construction suitable for boxes, cabinets, push-button and general use enclosures
- Gray nylon body is resistant to impact and corrosion
- Rubber grommet provides a liquid-tight seal and reduces cord pull-out
- Rubber grommet resists chemicals and handles a wide temperature range

Specifications

Physical	Gray Cord Grip Body and Compression Nut, Washer (white): Nylon Grommet: Rubber O-Ring: Neoprene Nut: Zinc-Plated Steel
	Cord Seal: Liquid-tight Rating: Type 3R Max-Loc without O-ring Type; Type 6P with O-ring/Locknut
Environmental	UL File No.: E76954 CSA File No.: LR32159



½" NPT									
Cable Diameter	Number of Holes	Form Size	Grommet Color	Without O-Ring/Locknut		With O-Ring/Locknut		Replacement Grommet	
				Engineering No.	Order No.	Engineering No.	Order No.	Engineering No.	Order No.
3.96mm (.156")	2, 3, or 4 [†]	F2	Orange	—	—	5595-007W	130098-0238	00-1924	130180-0318
4.75mm (.187")	2, 3, 4, 5, 6, or 7 [†]		Yellow	5595-008	130098-0212	5595-008W	130098-0213	00-1925	130180-0319
5.72mm (.225")	2, 3, or 4 [†]		Black	5595-004	130098-0207	5595-004W	130098-0208	00-1921	130180-0315
6.35mm (.250")	2 or 3 [†]		Gray	—	—	5595-005W	130098-0210	00-1922	130180-0316
7.37mm (.290")	2		Black	—	—	5595-006W	130098-0241	00-1923	130180-0317

[†] Indicates one or more holes are covered by a thin membrane that can be easily "poked" open if required.

MAX-LOC® OVAL HOLE (UF CABLE) — RIGHT ANGLE MALE

Features and Benefits

- Rugged construction suitable for boxes, cabinets, push-button and general use enclosures
- Gray nylon body is resistant to impact and corrosion
- Rubber grommet provides a liquid-tight seal and reduces cord pull-out
- Rubber grommet resists chemicals and handles a wide temperature range

Specifications

Physical	Gray Cord Grip Body and Compression Nut, Washer (white): Nylon Grommet: Rubber O-Ring: Neoprene Nut: Zinc-Plated Steel
	Cord Seal: Liquid-tight Rating: Type 3R Max-Loc without O-ring Type; Type 6P with O-ring/Locknut
Environmental	UL File No.: E76954 CSA File No.: LR32159



½" NPT							
Cable Diameter	Form Size	Without O-Ring/Locknut*				Replacement Grommet	
		Engineering No.	Order No.			Engineering No.	Order No.
5.54x10.69mm (.218x.421") Oval	F2	5581	130098-0187			00-4940	130180-0392
5.54x16.26mm (.218x.640") Oval		5583	130098-0190			00-4941	130180-0393

¾" NPT							
Cable Diameter	Form Size	Without O-Ring/Locknut*				Replacement Grommet	
		Engineering No.	Order No.			Engineering No.	Order No.
5.54x10.69mm (.218x.421") Oval	F2	5585	130098-0239			00-4950	130180-0395
5.54x16.26mm (.218x.640") Oval		5587	130098-0193			00-4951	130180-0396

* Refer to page 84 Max-Loc Accessories for gaskets and locknuts

Strain Relief Grips

Flexible Cord

MAX-LOC® WITH MESH — RIGHT ANGLE MALE

Features and Benefits

- Rugged construction suitable for boxes, cabinets, push-button and general use enclosures
- Nylon body is resistant to impact and corrosion
- Rubber grommet provides a liquid-tight seal and reduces cord pull-out
- Grommets are color-coded for easy identification
- Rubber grommet resists chemicals and handles a wide temperature range
- Available stainless steel mesh yields high strength, corrosion resistance and slight conductivity
- Available non-metallic mesh yields moderate strength, corrosion resistance, great flexibility and no conductivity

Specifications

Physical	Gray Cord Grip Body and Compression Nut, Washer (white): Nylon Grommet: Rubber O-Ring: Neoprene Nut: Zinc-Plated Steel Weave Type: Half double weave, half single weave mesh
Environmental	Cord Seal: Liquid-tight Rating: Suitable for wet location when used with Molex O-Ring/Gasket*
Reference Information	UL File No.: E76954 CSA File No.: LR32159



Stainless Steel Mesh



Non-Metallic Mesh



½" NPT								
Cable Diameter	Form Size	Grommet Color	Stainless Steel Mesh Without O-Ring/Locknut*		Non-Metallic Mesh Without O-Ring/Locknut*		Replacement Grommet	
			Engineering No.	Order No.	Engineering No.	Order No.	Engineering No.	Order No.
4.75–6.35mm (.187–.250")	F2	Orange	5523M	130099-0070	5523NM	130099-0071	00-4971	130180-0402
6.35–7.93mm (.250–.312")		Black	5525M	130099-0074	5525NM	130099-0075	00-4985	130180-0407
7.93–9.53mm (.312–.375")		Gray	5527M	130099-0078	5527NM	130099-0079	00-5263	130180-0286
9.53–11.10mm (.375–.437")		Green	5529M	130099-0082	5529NM	130099-0083	00-5264	130180-0287
11.10–12.70mm (.437–.500")		Orange	5531M	130099-0086	5531NM	130099-0087	00-4975	130180-0404
12.70–14.27mm (.500–.562")		Black	5533M†	130099-0089	—	—	00-5266	130180-0288
14.27–15.88mm (.562–.625")		Gray	5535M†	130099-0091	—	—	00-5267	130180-0289

¾" NPT								
Cable Diameter	Form Size	Grommet Color	Stainless Steel Mesh Without O-Ring/Locknut*		Non-Metallic Mesh Without O-Ring/Locknut*		Replacement Grommet	
			Engineering No.	Order No.	Engineering No.	Order No.	Engineering No.	Order No.
6.35–9.53mm (.250–.375")	F3	Gray	5623M	130099-0159	5623NM	130099-0160	00-4986	130180-0408
9.53–11.10mm (.375–.437")		Green	5625M	130099-0227	5625NM	130099-0163	00-4987	130180-0409
11.10–14.27mm (.437–.562")		Black	5537M	130099-0094	5537NM	130099-0095	00-4980	130180-0278
12.70–15.88mm (.500–.625")		Gray	5539M	130099-0098	5539NM	130099-0099	00-4981	130180-0279
14.27–17.45mm (.562–.687")		Green	5541M	130099-0102	5541NM	130099-0103	00-4982	130180-0280
15.88–19.05mm (.625–.750")		Orange	5543M	130099-0106	5543NM	130099-0107	00-4983	130180-0281
17.45–20.62mm (.687–.812")		Yellow	5545M	130099-0109	—	—	00-4984	130180-0406

1" NPT								
Cable Diameter	Form Size	Grommet Color	Stainless Steel Mesh Without O-Ring/Locknut*		Non-Metallic Mesh Without O-Ring/Locknut*		Replacement Grommet	
			Engineering No.	Order No.	Engineering No.	Order No.	Engineering No.	Order No.
11.10–14.27mm (.437–.562")	F4	Black	—	—	5547NM	130099-0112	00-4990	130180-0410
12.70–15.88mm (.500–.625")		Gray	—	—	5549NM	130099-0115	00-4991	130180-0411
14.27–17.45mm (.562–.687")		Green	5551M	130099-0118	—	—	00-4992	130180-0282
15.88–19.05mm (.625–.750")		Orange	5553M	130099-0121	5553NM	130099-0122	00-4993	130180-0283
17.45–20.62mm (.687–.812")		Yellow	5555M	130099-0125	5555NM	130099-0126	00-4994	130180-0412
19.05–22.23mm (.750–.875")		Black	5557M	130099-0129	5557NM	130099-0130	00-4995	130180-0413
22.23–25.40mm (.875–1.000")		Green	5561M	130099-0136	5561NM	130099-0137	00-4997	130180-0414

* Refer to page 84 Max-Loc Accessories for gaskets and locknuts
† Cable jacket may need to be stripped for clearance

Strain Relief Grips

Flexible Cord

MAX-LOC® ACCESSORIES

Features and Benefits

- Designed for use with MAX-LOC strain relief cord grips
- Available as replacement or add-on components

Specifications

Physical Nut: Zinc-Plated Steel
 Gasket Sealing Ring: Neoprene
 O-Ring: Neoprene



Sealing Ring/Gasket



Locknut



O-Ring



Locknuts		
Thread Size	Engineering No.	Order No.
¼" NPT	5599	130099-0141
⅜" NPT	5600	130099-0142
½" NPT	5601	130099-0143
¾" NPT	5602	130099-0144
1" NPT	5603	130099-0145
1¼" NPT	5604	130099-0146



Sealing Rings/Gaskets for Deluxe and MAX-LOC Grips (that do not come with O-ring)		
Thread Size	Engineering No.	Order No.
¼" NPT	5609	130099-0147
⅜" NPT	5610	130099-0148
½" NPT	5611	130099-0149
¾" NPT	5612	130099-0150
1" NPT	5613	130099-0151
1¼" NPT	5614	130099-0152



O-Rings (Replacements for MAX-LOC)		
Thread Size	Engineering No.	Order No.
½" NPT	00-0820	130180-0314
¾" NPT	00-0822	130180-0333
1" NPT	00-0824	130180-0334

Strain Relief Grips

Flexible Cord

STAINLESS STEEL — STRAIGHT MALE

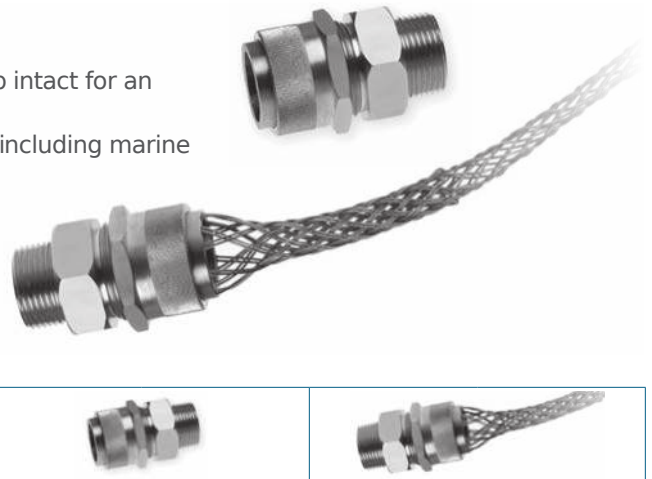
Features and Benefits

- Stainless steel construction performs well to resist corrosion
- Body design features a recessed area to contain O-ring and keep intact for an optimum long-term seal
- Indoor and outdoor rated for use in a wide range of applications including marine and food processing

Specifications

Physical
 Threaded Body: Stainless Steel, type 303
 Nut: Stainless Steel, type 303
 Compression Ring: Polyethylene (included in non-mesh version)
 Mesh Collars: Stainless Steel, type 303/304
 Mesh Material: Stainless Steel
 Weave Type: Half double weave, half single weave mesh

Environmental
 Suitable for use with NEMA 4 enclosures with gasket placed between the fitting and box. Refer to page 84 for gaskets and locknuts

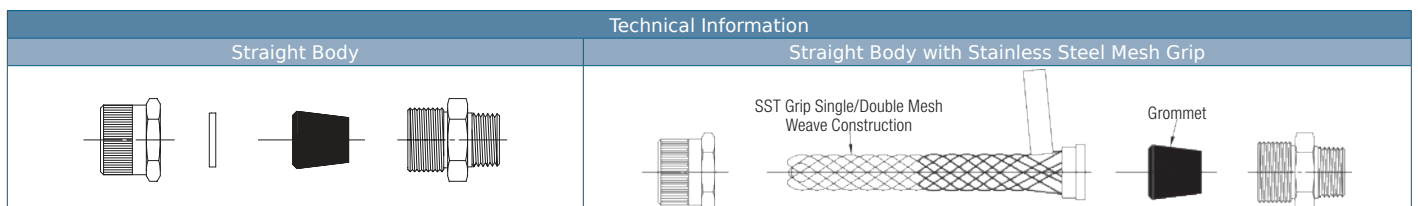


½" NPT					
Cable Diameter	Form Size	Without Stainless Steel Mesh		With Stainless Steel Mesh	
		Engineering No.	Order No.	Engineering No.	Order No.
1.52-3.30mm (.06-.13")	F2	5518SS*	130098-0037	—	—
3.30-4.83mm (.13-.19")		5520SS	130098-0424	—	—
4.83-6.35mm (.19-.25")		5522SS	130098-0048	5522MSS	130097-0321
6.35-7.87mm (.25-.31")		5524SS	130098-0055	5524MSS	130097-0322
7.87-9.65mm (.31-.38")		5526SS	130098-0063	5526MSS	130097-0323
9.65-11.18mm (.38-.44")		5528SS	130098-0070	5528MSS	130097-0324
11.18-12.70mm (.44-.50")		5530SS	130098-0077	5530MSS	130097-0325
12.70-14.22mm (.50-.56")		5532SS	130098-0085	5532MSS	130097-0326
14.22-16.00mm (.56-.63")		5534SS	130098-0243	5534MSS	130097-0328

¾" NPT					
Cable Diameter	Form Size	Without Stainless Steel Mesh		With Stainless Steel Mesh	
		Engineering No.	Order No.	Engineering No.	Order No.
6.35-9.65mm (.25-.38")	F3	5622SS	130098-0244	5622MSS	130097-0340
9.65-11.18mm (.38-.44")		5624SS	130098-0245	5624MSS	130097-0341
11.18-14.22mm (.44-.56")		5536SS	130098-0246	5536MSS	130097-0329
12.70-16.00mm (.50-.63")		5538SS	130098-0106	5538MSS	130097-0330
14.22-17.53mm (.56-.69")		5540SS	130098-0113	5540MSS	130097-0331
16.00-19.05mm (.63-.75")		5542SS	130098-0426	5542MSS	130097-0332
17.53-20.57mm (.69-.81")		5544SS	130098-0128	5544MSS	130097-0333

1" NPT					
Cable Diameter	Form Size	Without Stainless Steel Mesh		With Stainless Steel Mesh	
		Engineering No.	Order No.	Engineering No.	Order No.
11.18-14.22mm (.44-.56")	F4	5546SS	130098-0248	5546MSS	130097-0630
12.70-16.00mm (.50-.63")		5548SS	130098-0249	5548MSS	130097-0334
14.22-17.53mm (.56-.69")		5550SS	130098-0250	5550MSS	130097-0631
16.00-19.05mm (.63-.75")		5552SS	130098-0145	5552MSS	130097-0335
17.53-20.57mm (.69-.81")		5554SS	130098-0251	5554MSS	130097-0336
19.05-22.35mm (.75-.88")		5556SS	130098-0252	5556MSS	130097-0337
20.57-23.88mm (.81-.94")		5558SS	130098-0253	5558MSS	130097-0632
22.35-25.40mm (.88-1.00")		5560SS	130098-0254	5560MSS	130097-0338
25.40-27.94mm (1.00-1.10")		5562SS	130098-0255	5562MSS	130097-0633

* Not UL listed



Strain Relief Grips

Liquid-Tight Flexible Metal Conduit

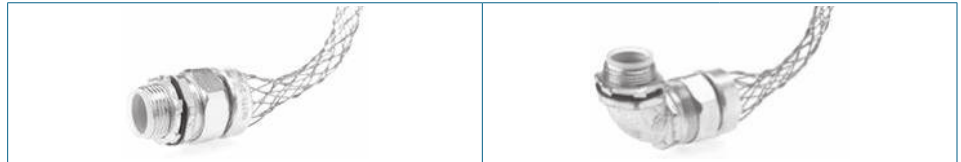
LIQUID-TIGHT CONDUIT — MALLEABLE IRON OR ZINC-PLATED STEEL BODY WITH STAINLESS STEEL MESH AND INSULATED THROAT

Features and Benefits

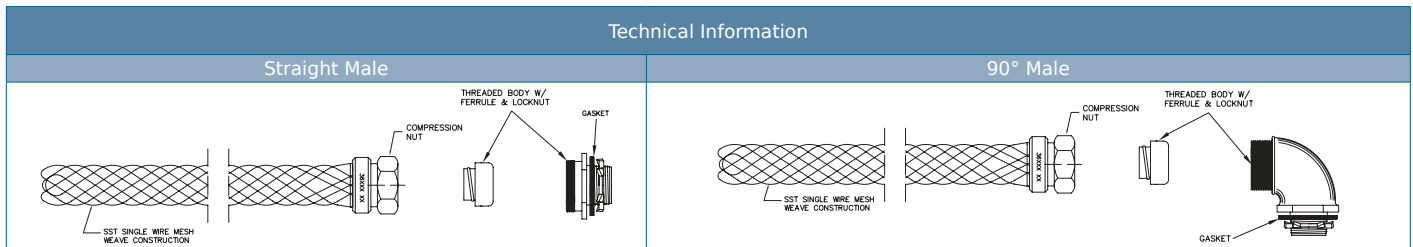
- Robust design works with liquid-tight flexible conduit including motor applications
- Stainless steel mesh construction performs well to resist corrosion
- Insulated throat provides protection upon flexing, temperature change and wire entry/exit

Specifications

Physical	Threaded Body: Malleable Iron or Zinc-Plated Steel
	Nut: Zinc-Plated Steel
Environmental	Mesh Collars: Zinc-Plated Steel and Aluminum
	Ferrule to Mate with Flexible Conduit: Aluminum
	Gasket Sealing Ring: Neoprene
Reference Information	Mesh Material: Stainless Steel
	Weave Type: Single weave mesh
Reference Information	NEMA Rating: Wet location suitable for NEMA 4 enclosures with gasket* placed between fitting and box
	UL File No.: E61303
Reference Information	CSA File No.: LR32159



Conduit	NPT Fitting Size	Mesh Length	Straight Male		Right Angle Male	
			Engineering No.	Order No.	Engineering No.	Order No.
3/8"	1/2"	0.067m (2.625")	36440	130096-0056	36443	130096-0058
1/2"	1/2"	0.098m (3.875")	36370	130096-0034	36400	130096-0050
3/4"	3/4"	0.111m (4.375")	36371	130096-0036	36401	130096-0051
1"	1"	0.133m (5.25")	36372	130096-0037	36402	130096-0052
1 1/4"	1 1/4"	0.143m (5.625")	36373	130096-0038	36403	130096-0053
1 1/2"	1 1/2"	0.146m (5.75")	36374	130096-0039	36404	130096-0054
2"	2"	0.191m (7.50")	36375	130096-0040	36405	130096-0055



Strain Relief Grips

Flexible Cord

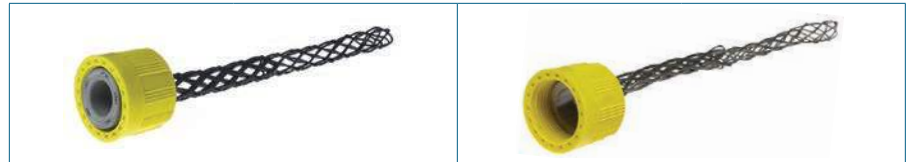
NON-METALLIC OR STAINLESS STEEL MESH

Features and Benefits

- Suitable for use with Molex Watertite series of wiring devices, Super-Safeway outlet boxes with Max-Loc and Watertite series pushbutton stations
- Simple installation reduces stress of arc bend and cord pull-out from wiring device or enclosure
- Corrosion-resistant mesh provides additional strength for cord entrance

Specifications

Physical	Grip Body and Compression Nut: Nylon Collar and Mesh: Nylon or Stainless Steel
Environmental	Rating: Suitable for wet location when used with Watertite series of wiring devices, Super-Safeway outlet boxes with Max-Loc and Watertite series pushbutton stations



½"					
Cable Diameter	Form Size	Non-Metallic Mesh Strain Relief		Metallic Mesh Strain Relief	
		Engineering No.	Order No.	Engineering No.	Order No.
7.88-9.49mm (.310-.370")	F2	5630NM	130099-0166	5630M	130099-0165
9.53-11.10mm (.375-.437")		5631NM	130099-0168	5631M	130099-0167
10.92-12.70mm (.430-.500")		5632NM	130099-0170	5632M	130099-0169
12.70-14.27mm (.500-.562")		—	—	5647M	130099-0189
14.27-15.88mm (.560-.625")		—	—	5648M	130099-0190

¾"					
Cable Diameter	Form Size	Non-Metallic Mesh Strain Relief		Metallic Mesh Strain Relief	
		Engineering No.	Order No.	Engineering No.	Order No.
9.53-11.10mm (.375-.437")	F3	—	—	5628M	130099-0164
11.10-14.27mm (.437-.562")		5633NM	130099-0172	5633M	130099-0171
12.70-15.88mm (.500-.625")		5634NM	130099-0174	5634M	130099-0173
14.27-17.45mm (.562-.687")		5635NM	130099-0176	5635M	130099-0175
15.88-19.05mm (.625-.750")		5640NM	130099-0186	5640M	130099-0185
17.27-20.57mm (.680-.810")		—	—	5645M	130099-0187

1"					
Cable Diameter	Form Size	Non-Metallic Mesh Strain Relief		Metallic Mesh Strain Relief	
		Engineering No.	Order No.	Engineering No.	Order No.
14.22-17.27mm (.560-.680")	F4	5636NM	130099-0178	5636M	130099-0177
15.88-19.05mm (.625-.750")		5637NM	130099-0180	5637M	130099-0179
19.05-22.23mm (.750-.875")		5638NM	130099-0182	5638M	130099-0181
20.57-23.88mm (.810-.940")		—	—	5646M	130099-0188
22.23-25.40mm (.875-1.00")		5639NM	130099-0184	5639M	130099-0183

Strain Relief Grips

Flexible Cord

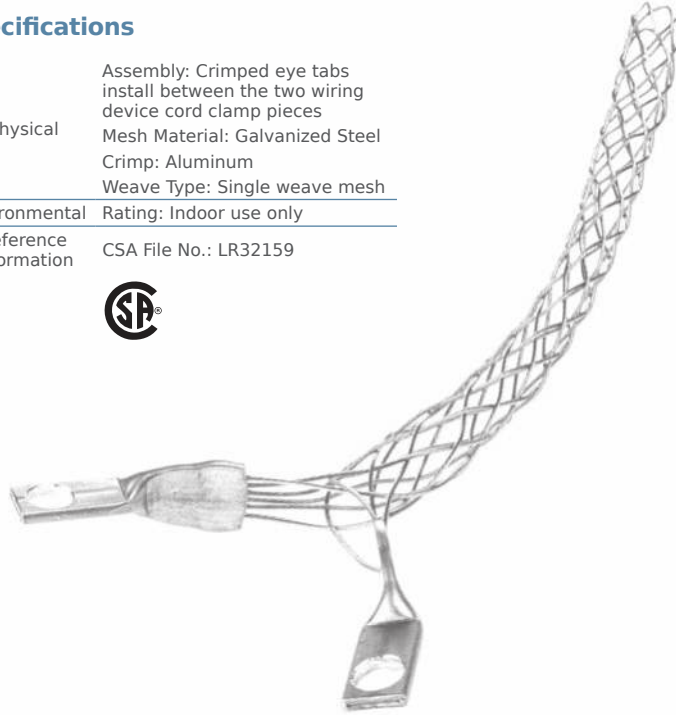
SAFEWAY® AND SUPER-SAFEWAY™ I-GRIPS — GALVANIZED STEEL MESH

Features and Benefits

- Suitable for use with Safeway wiring devices, Super-Safeway wiring devices and Super-Safeway outlet boxes with strain relief clamps
- Universal installation reduces stress of cord arc bend and cord pull-out from the wiring device
- Galvanized steel mesh construction provides excellent strength

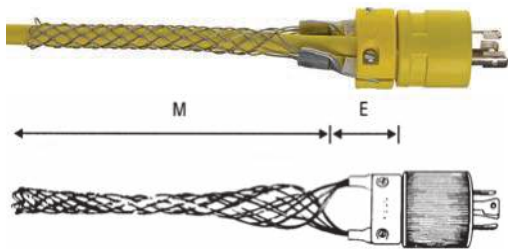
Specifications

Physical	Assembly: Crimped eye tabs install between the two wiring device cord clamp pieces
	Mesh Material: Galvanized Steel
	Crimp: Aluminum
Environmental	Weave Type: Single weave mesh
	Rating: Indoor use only
Reference Information	CSA File No.: LR32159



Cable Diameter	Engineering No.	Order No.
7.62–10.92mm (.30–.43")	36550	130096-0059
10.16–14.22mm (.40–.56")	36551	130096-0060
13.21–18.54mm (.52–.73")	36552	130096-0061
17.78–21.59mm (.70–.85")	36553	130096-0062
20.83–25.40mm (.82–1.00")	36554	130096-0063
23.88–31.75mm (.94–1.25")	36555	130096-0064

Eyelet hole diameter = 0.325"



Dimensional Information	
M	E
.114m (4.500")	.048m (1.875")
.140m (5.500")	.053m (2.094")
.165m (6.500")	.053m (2.094")
.203m (8.000")	.060m (2.344")
.203m (8.000")	.060m (2.344")
.254m (10.000")	.060m (2.344")

Support Grips

Applications

- Industrial
- Electrical
- General Manufacturing
- Utility Work
- Construction

Indoor and outdoor support grips are designed to distribute the weight of vertical or sloping runs of electrical and fiber-optic cable, metal rods, tubing or hose over the entire length of the grip to avoid damage.

Standard closed-mesh and open-mesh support grips are available in a wide variety of eye styles and cable ranges. Support grips are woven from corrosion-resistant tinned-bronze wire, except for bus-drop grips, which are made from galvanized steel. Many of these grips can be upgraded to stainless-steel wire for applications demanding a higher level of corrosion resistance.



Support Grips

Standard Duty

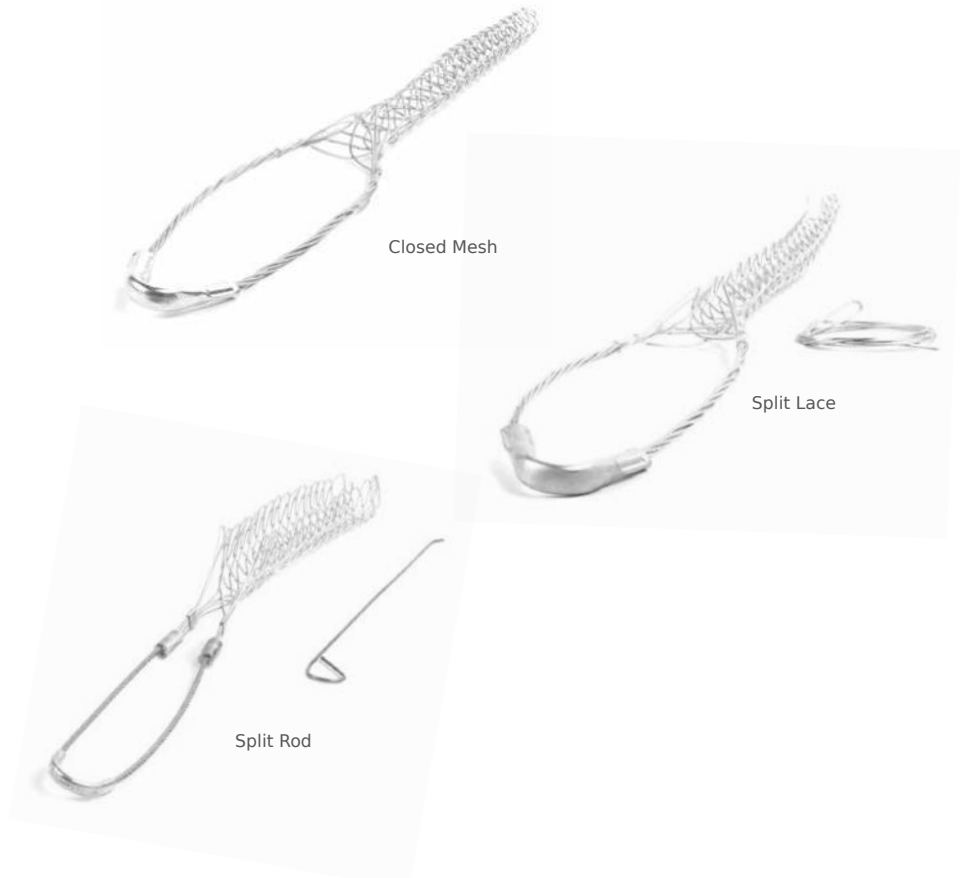
SINGLE EYE

Features and Benefits

- Single eye/bale is universally applied and most common
- Tinned-bronze wire mesh provides corrosion resistance
- Top-mounted reinforced eye protector provides stable, longer-life support
- Closed mesh provides permanent support when cable end is available
- Split lace provides permanent support for mid-cable placement
- Split rod provides support for mid-cable placement

Specifications

Physical	Mesh Material: Tinned-Bronze wire mesh
	Weave Type: Single weave mesh Mesh Type: Closed, split lace or split rod
Reference Information	CSA File No.: LR32159



Single Eye

Cable Diameter	Bale Length	Mesh Length	Approximate Break Strength*	Closed Mesh		Split Lace		Split Rod	
				Engineering No.	Order No.	Engineering No.	Order No.	Engineering No.	Order No.
12.70–15.49mm (.50–.61")	0.178m (7.00")	0.279m (11.00")	770 lb	35030	130094-0230	35165	130094-0310	35285	130094-0385
15.75–18.80mm (.62–.74")	0.203m (8.00")	0.279m (11.00")	960 lb	35031	130094-0232	35166	130094-0312	35286	130094-0387
19.05–25.15mm (.75–.99")	0.203m (8.00")	0.356m (14.00")	1300 lb	35032	130094-0234	35167	130094-0314	35287	130094-0389
25.40–31.50mm (1.00–1.24")	0.229m (9.00")	0.381m (15.00")	1680 lb	35033	130094-0236	35168	130094-0316	35288	130094-0391
31.75–37.85mm (1.25–1.49")	0.254m (10.00")	0.406m (16.00")	1680 lb	35034	130094-0238	35169	130094-0318	35289	130094-0393
38.10–44.20mm (1.50–1.74")	0.305m (12.00")	0.457m (18.00")	1680 lb	35035	130094-0240	35170	130094-0320	35290	130094-0395
44.45–50.55mm (1.75–1.99")	0.356m (14.00")	0.508m (20.00")	2640 lb	35036	130094-0242	35171	130094-0322	35291	130094-0397
50.80–63.25mm (2.00–2.49")	0.406m (16.00")	0.559m (22.00")	3760 lb	35037	130094-0244	35172	130094-0324	35292	130094-0399
63.50–75.95mm (2.50–2.99")	0.457m (18.00")	0.610m (24.00")	3760 lb	35038	130094-0246	35173	130094-0326	35293	130094-0401
76.20–88.65mm (3.00–3.49")	0.533m (21.00")	0.660m (26.00")	5040 lb	35039	130094-0247	—	—	35294	130094-0403
88.90–101.35mm (3.50–3.99")	0.610m (24.00")	0.711m (28.00")	5040 lb	35040	130094-0249	—	—	—	—

* To determine Workload Safety Factor, divide Approximate Break Strength by 10. See technical section for break strength on page 104. For Stainless Steel Support Grips, add "SS" to the engineering number. For example, 35425 becomes 35425SS.

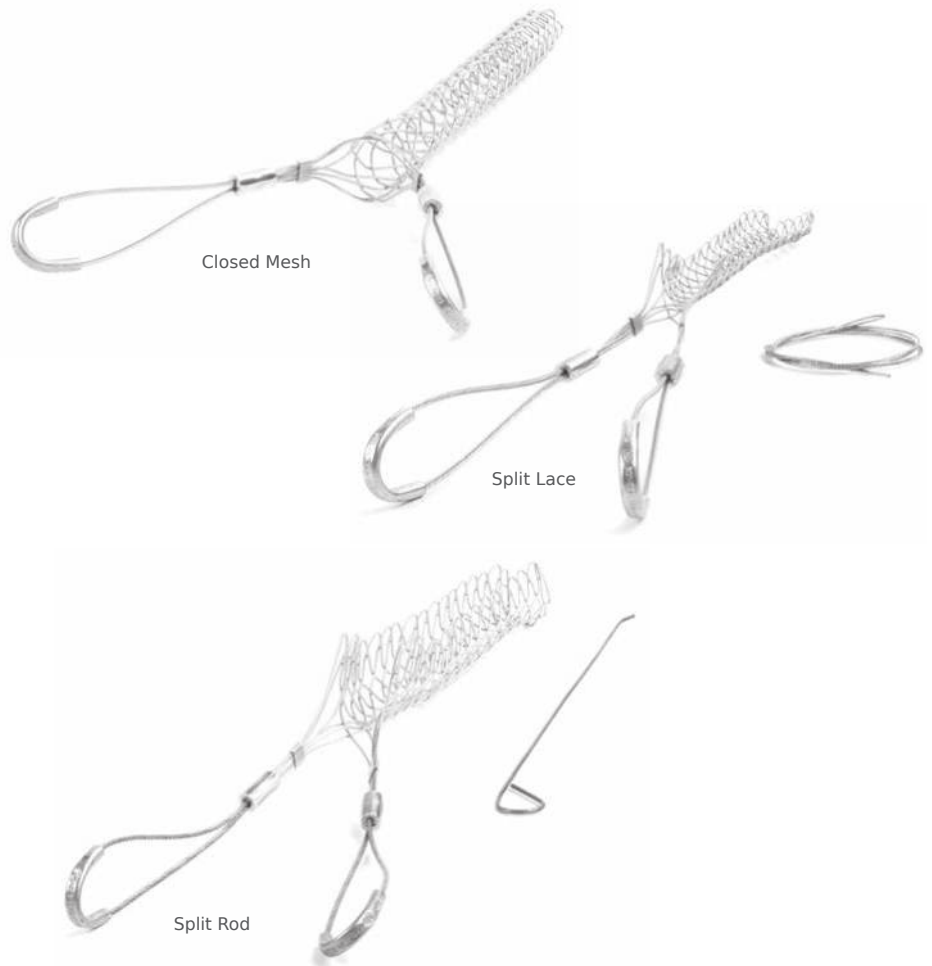
Support Grips

Standard Duty

DOUBLE EYE

Features and Benefits

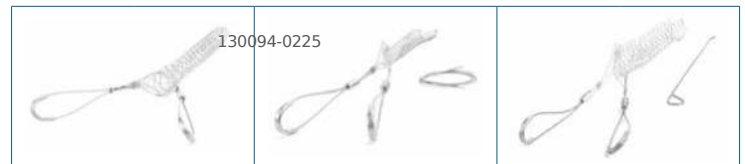
- Double eye/bale increases stability and holding power
- Tinned-bronze wire mesh provides corrosion resistance
- Top-mounted reinforced eye protector provides stability and longer-life support
- Closed mesh provides permanent support when cable end is available
- Split lace provides permanent support for mid-cable placement
- Split rod provides support for mid-cable placement



Specifications

Physical	Mesh Material: Tinned-Bronze wire mesh
	Weave Type: Single weave mesh Mesh Type: Closed, split lace or split rod

Reference Information CSA File No.: LR32159



Double Eye									
Cable Diameter	Bale Length	Mesh Length	Approximate Break Strength*	Closed Mesh		Split Lace		Split Rod	
				Engineering No.	Order No.	Engineering No.	Order No.	Engineering No.	Order No.
12.70–15.49mm (.50–.61")	0.178m (7.00")	0.279m (11.00")	770 lb	35001	130094-0209	35135	130094-0288	35270	130094-0367
15.75–18.80mm (.62–.74")	0.178m (7.00")	0.279m (11.00")	1150 lb	35002	130094-0211	35136	130094-0290	35271	130094-0368
19.05–25.15mm (.75–.99")	0.178m (7.00")	0.356m (14.00")	1320 lb	35003	130094-0213	35137	130094-0292	35272	130094-0370
25.40–31.50mm (1.00–1.24")	0.178m (7.00")	0.380m (15.00")	1920 lb	35004	130094-0215	35138	130094-0294	35273	130094-0372
31.75–37.85mm (1.25–1.49")	0.178m (7.00")	0.406m (16.00")	1920 lb	35005	130094-0217	35139	130094-0296	35274	130094-0374
38.10–44.20mm (1.50–1.74")	0.178m (7.00")	0.457m (18.00")	1920 lb	35006	130094-0219	35140	130094-0298	35275	130094-0376
44.45–50.55mm (1.75–1.99")	0.178m (7.00")	0.508m (20.00")	3150 lb	35007	130094-0221	35141	130094-0300	35276	130094-0378
50.80–63.25mm (2.00–2.49")	0.178m (7.00")	0.559m (22.00")	3360 lb	35008	130094-0223	35142	130094-0302	35277	130094-0380
63.50–75.95mm (2.50–2.99")	0.178m (7.00")	0.610m (24.00")	3360 lb	35009	130094-0225	35009	130094-0304	35278	130094-0382
76.20–88.65mm (3.00–3.49")	0.229m (9.00")	0.660m (26.00")	5280 lb	35010	130094-0227	35144	130094-0306	35279	130094-0383

* To determine Workload Safety Factor, divide Approximate Break Strength by 10. See technical section for break strength on page 104. For Stainless Steel Support Grips, add "SS" to the engineering number. For example, 35425 becomes 35425SS.

Support Grips

Standard Duty

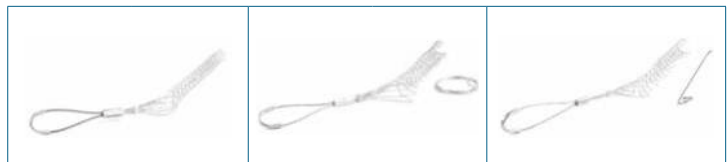
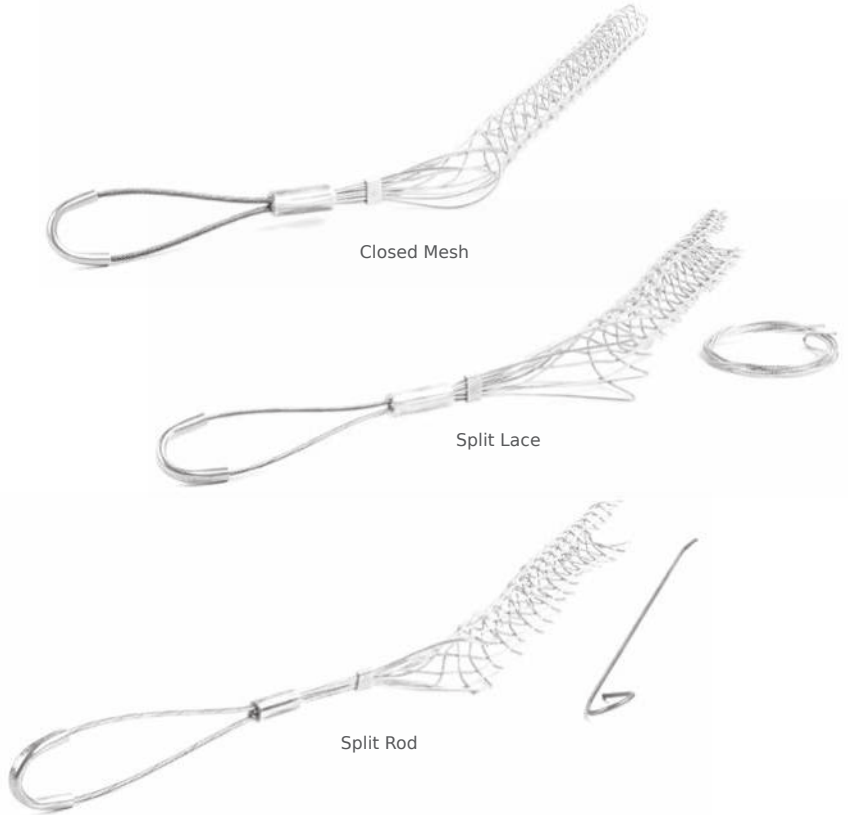
OFFSET EYE

Features and Benefits

- Offset eye/bale allows for straight, vertical cable support
- Tinned-bronze wire mesh provides corrosion resistance
- Top-mounted reinforced eye protector provides stability and longer-life support
- Closed mesh provides permanent support when cable end is available
- Split lace provides permanent support for mid-cable placement
- Split rod provides support for mid-cable placement

Specifications

Physical	Mesh Material: Tinned-Bronze wire mesh
	Weave Type: Single weave mesh Mesh Type: Closed, split lace or split rod
Reference Information	CSA File No.: LR32159



Offset Eye									
Cable Diameter	Bale Length	Mesh Length	Approximate Break Strength*	Closed Mesh		Split Lace		Split Rod	
				Engineering No.	Order No.	Engineering No.	Order No.	Engineering No.	Order No.
12.70–15.49mm (.50–.61")	0.178m (7.00")	0.279m (11.00")	770 lb	35060	130094-0251	35195	130094-0330	35300	130094-0406
15.75–18.80mm (.62–.74")	0.178m (7.00")	0.279m (11.00")	960 lb	35061	130094-0253	35196	130094-0332	35301	130094-0408
19.05–25.15mm (.75–.99")	0.178m (7.00")	0.356m (14.00")	960 lb	35062	130094-0255	35197	130094-0334	35302	130094-0410
25.40–31.50mm (1.00–1.24")	0.178m (7.00")	0.381m (15.00")	1680 lb	35063	130094-0257	35198	130094-0336	35303	130094-0412
31.75–37.85mm (1.25–1.49")	0.178m (7.00")	0.406m (16.00")	1680 lb	35064	130094-0259	35199	130094-0338	35304	130094-0414
38.10–44.20mm (1.50–1.74")	0.178m (7.00")	0.457m (18.00")	1680 lb	35065	130094-0261	35200	130094-0340	35305	130094-0416
44.45–50.55mm (1.75–1.99")	0.178m (7.00")	0.508m (20.00")	2640 lb	35066	130094-0263	35201	130094-0342	35306	130094-0418
50.80–63.25mm (2.00–2.49")	0.178m (7.00")	0.559m (22.00")	3760 lb	35067	130094-0265	35202	130094-0344	35307	130094-0420
63.50–75.95mm (2.50–2.99")	0.178m (7.00")	0.610m (24.00")	3760 lb	35068	130094-0267	35203	130094-0346	35308	130094-0422

* To determine Workload Safety Factor, divide Approximate Break Strength by 10. See technical section for break strength on page 104. For Stainless Steel Support Grips, add "SS" to the engineering number. For example, 35425 becomes 35425SS.

Support Grips

Standard Duty

LOCKING BALE/UNIVERSAL EYE

Features and Benefits

- Locking bale provides easy, quick attachment to fixed structure without the need for additional hardware
- Tinned-bronze wire mesh provides corrosion resistance
- Closed mesh provides permanent support when cable end is available
- Split lace provides permanent support for mid-cable placement
- Split rod provides support for mid-cable placement

Specifications

Physical	Mesh Material: Tinned-Bronze wire mesh Weave Type: Single weave mesh Mesh Type: Closed, split lace or split rod
Reference Information	CSA File No.: LR32159



Closed Mesh



Split Lace



Split Rod



Locking Bale/Universal Eye

Cable Diameter	Bale Length	Mesh Length	Approximate Break Strength*	Closed Mesh		Split Lace		Split Rod	
				Engineering No.	Order No.	Engineering No.	Order No.	Engineering No.	Order No.
12.70–15.49mm (.50–.61")	0.457m (18.00")	0.279m (11.00")	770 lb	35090	130094-0271	35225	130094-0352	35330	130094-0429
15.75–18.80mm (.62–.74")	0.457m (18.00")	0.279m (11.00")	1150 lb	35091	130094-0273	35226	130094-0354	35331	130094-0430
19.05–25.15mm (.75–.99")	0.457m (18.00")	0.356m (14.00")	1320 lb	35092	130094-0275	35227	130094-0356	35332	130094-0432
25.40–31.50mm (1.00–1.24")	0.457m (18.00")	0.381m (15.00")	1920 lb	35093	130094-0276	35228	130094-0357	35333	130094-0434
31.75–37.85mm (1.25–1.49")	0.457m (18.00")	0.406m (16.00")	1920 lb	35094	130094-0278	35229	130094-0358	35334	130094-0435
38.10–44.20mm (1.50–1.74")	0.457m (18.00")	0.457m (18.00")	1920 lb	35095	130094-0279	35230	130094-0359	35335	130094-0436
44.45–50.55mm (1.75–1.99")	0.457m (18.00")	0.508m (20.00")	3150 lb	35096	130094-0280	35231	130094-0360	35336	130094-0437
50.80–63.25mm (2.00–2.49")	0.457m (18.00")	0.559m (22.00")	3360 lb	35097	130094-0281	35232	130094-0361	35337	130094-0438
63.50–75.95mm (2.50–2.99")	0.457m (18.00")	0.610m (24.00")	3360 lb	35098	130094-0283	—	—	35338	130094-1042
76.20–88.65mm (3.00–3.49")	0.457m (18.00")	0.660m (26.00")	5280 lb	35099	130094-0284	—	—	35339	130094-1400
88.90–101.35mm (3.50–3.99")	0.457m (18.00")	0.711m (28.00")	5280 lb	—	—	—	—	35340	130094-0439

* To determine Workload Safety Factor, divide Approximate Break Strength by 10. See technical section for break strength on page 104. For Stainless Steel Support Grips, add "SS" to the engineering number. For example, 35425 becomes 35425SS.

Support Grips

Heavy Duty

SINGLE EYE

Features and Benefits

- Single eye/bale is universally applied and most common
- Tinned-bronze wire mesh provides corrosion resistance
- Double weave provides industrial strength
- Top-mounted reinforced eye protector provides stability and longer-life support
- Closed mesh provides permanent support when cable end is available
- Split lace provides permanent support for mid-cable placement

Specifications

Physical	Mesh Material: Tinned-Bronze wire mesh
	Weave Type: Double weave mesh
	Mesh Type: Closed or split lace
Reference Information	CSA File No.: LR32159



Closed Mesh



Single Eye					
Cable Diameter	Bale Length	Mesh Length	Approximate Break Strength*	Closed Mesh	
				Engineering No.	Order No.
19.05–25.15mm (.75–.99")	0.254m (10.00")	0.660m (26.00")	2700 lb	35435	130094-0457
25.40–31.50mm (1.00–1.24")	0.254m (10.00")	0.737m (29.00")	4720 lb	35436	130094-0459
31.75–37.85mm (1.25–1.49")	0.254m (10.00")	0.787m (31.00")	4720 lb	35437	130094-0461
38.10–44.20mm (1.50–1.74")	0.254m (10.00")	0.889m (35.00")	4720 lb	35438	130094-0463

* To determine Workload Safety Factor, divide Approximate Break Strength by 10. See technical section for break strength on page 104. For Stainless Steel Support Grips, add "SS" to the engineering number. For example, 35425 becomes 35425SS.

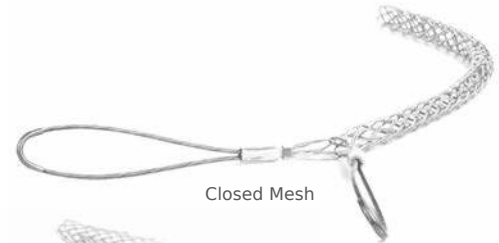
DOUBLE EYE

Features and Benefits

- Double eye/bale provides increased stability, increased holding power
- Tinned-bronze wire mesh provides corrosion resistance
- Double weave provides industrial strength
- Top-mounted reinforced eye protector provides stability and longer-life support
- Closed mesh provides permanent support when cable end is available
- Split lace provides permanent support for mid-cable placement

Specifications

Physical	Mesh Material: Tinned-Bronze wire mesh
	Weave Type: Double weave mesh
	Mesh Type: Closed or split lace
Reference Information	CSA File No.: LR32159



Closed Mesh



Split Lace



Double Eye							
Cable Diameter	Bale Length	Mesh Length	Approximate Break Strength*	Closed Mesh		Split Lace	
				Engineering No.	Order No.	Engineering No.	Order No.
19.05–25.15mm (.75–.99")	0.254m (10.00")	0.660m (26.00")	2700 lb	35425	130094-0440	35440	130094-0465
25.40–31.50mm (1.00–1.24")	0.254m (10.00")	0.737m (29.00")	4720 lb	35426	130094-0442	35441	130094-0466
31.75–37.85mm (1.25–1.49")	0.254m (10.00")	0.787m (31.00")	4720 lb	35427	130094-0444	35442	130094-0468
38.10–44.20mm (1.50–1.74")	0.254m (10.00")	0.889m (35.00")	4720 lb	35428	130094-0446	35443	130094-0470
50.80–63.25mm (2.00–2.49")	0.254m (10.00")	0.940m (37.00")	10080 lb	35429	130094-0448	35444	130094-0472
63.50–75.95mm (2.50–2.99")	0.254m (10.00")	0.991m (39.00")	10080 lb	35430	130094-0450	35445	130094-0474

* To determine Workload Safety Factor, divide Approximate Break Strength by 10. See technical section for break strength on page 104. For Stainless Steel Support Grips, add "SS" to the engineering number. For example, 35425 becomes 35425SS.

Support Grips

Service Drop

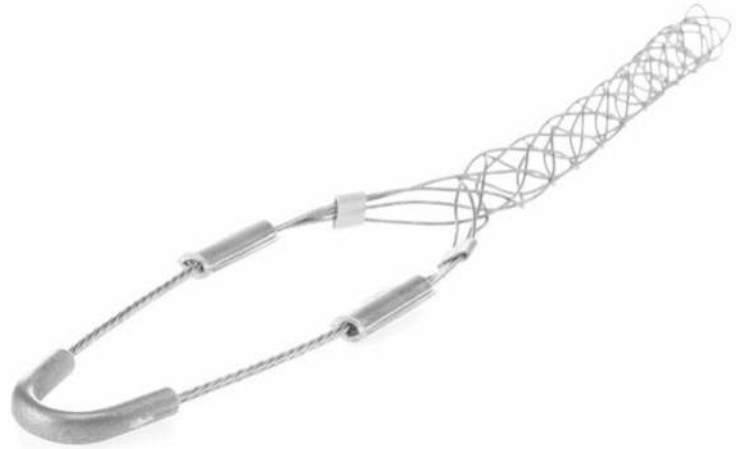
SINGLE EYE

Features and Benefits

- Used for service entrance cable
- Tinned-bronze wire mesh provides corrosion resistance
- Closed mesh top-mounted reinforced eye protector provides stability and longer-life support

Specifications

Physical	Mesh Material: Tinned-Bronze wire mesh
	Weave Type: Single weave mesh
	Mesh Type: Closed, split lace or split rod
Reference Information	CSA File No.: LR32159



Cable Diameter	Bale Length	Mesh Length	Approximate Break Strength*	Engineering No.	Order No.
5.59–8.13mm (.22–.32")	0.102m (4.00")	0.102m (4.00")	290 lb	36573	130094-0501
7.62–10.92mm (.30–.43")	0.127m (5.00")	0.127m (5.00")	500 lb	36575	130094-0504
10.16–14.22mm (.40–.56")	0.152m (6.00")	0.127m (5.00")	500 lb	36576	130094-0505
13.21–18.54mm (.52–.73")	0.203m (8.00")	0.203m (8.00")	790 lb	36577	130094-0506
17.78–24.64mm (.70–.97")	0.203m (8.00")	0.229m (9.00")	1020 lb	36578	130094-0507
23.88–31.75mm (.94–1.25")	0.254m (10.00")	0.279m (11.00")	1020 lb	36579	130094-0509

* To determine Workload Safety Factor, divide Approximate Break Strength by 10. See technical section for break strength on page 104. For Stainless Steel Support Grips, add "SS" to the engineering number. For example, 35425 becomes 35425SS.

LOCKING BALE/UNIVERSAL EYE

Features and Benefits

- Used for service entrance cable
- Locking bale provides easy, quick attachment to fixed structure without the need for additional hardware
- Tinned-bronze wire mesh provides corrosion resistance

Specifications

Physical	Mesh Material: Tinned-Bronze wire mesh
	Weave Type: Single weave mesh
	Mesh Type: Closed
Reference Information	CSA File No.: LR32159



Cable Diameter	Bale Length	Mesh Length	Approximate Break Strength*	Engineering No.	Order No.
5.59–8.13mm (.22–.32")	0.229m (9.00")	0.102m (4.00")	290 lb	36581	130094-0511
7.62–10.92mm (.30–.43")	0.254m (10.00")	0.127m (5.00")	500 lb	36583	130094-0513
10.16–14.22mm (.40–.56")	0.279m (11.00")	0.127m (5.00")	500 lb	36585	130094-0515
13.21–18.54mm (.52–.73")	0.330m (13.00")	0.203m (8.00")	790 lb	36586	130094-0516

* To determine Workload Safety Factor, divide Approximate Break Strength by 10. See technical section for break strength on page 104. For Stainless Steel Support Grips, add "SS" to the engineering number. For example, 35425 becomes 35425SS.

Support Grips

Bus-Drop

SINGLE EYE — GALVANIZED AND STAINLESS STEEL

Features and Benefits

- Used for bus drop cable
- Closed mesh top-mounted reinforced eye protector provides stable and longer-life support
- Galvanized steel wire mesh is for indoor use only
- Stainless steel is for indoor or outdoor use

Specifications

Physical	Mesh Material: Galvanized Steel or Stainless Steel wire mesh Weave Type: Single weave mesh Mesh Type: Closed
Reference Information	UL File No. E76954 CSA File No.: LR32159



Cable Diameter	Bale Length	Mesh Length	Approximate Break Strength*	Galvanized Steel		Stainless Steel	
				Engineering No.	Order No.	Engineering No.	Order No.
5.59–8.13mm (.22–.32")	0.229m (9.00")	0.089m (3.50")	650 lb	36560	130094-0489	36560SS	130094-0490
7.62–10.92mm (.30–.43")	0.229m (9.00")	0.114m (4.50")	1100 lb	36562	130094-0491	36562SS	130094-0492
10.16–14.22mm (.40–.56")	0.229m (9.00")	0.127m (5.00")	1100 lb	36564	130094-0493	36564SS	130094-0494
13.46–18.54mm (.53–.73")	0.229m (9.00")	0.165m (6.50")	1100 lb	36567	130094-0495	36567SS	130094-0496
17.78–21.59mm (.70–.85")	0.229m (9.00")	0.216m (8.50")	1900 lb	36569	130094-0497	36569SS	130094-0498
20.83–25.40mm (.82–1.00")	0.229m (9.00")	0.216m (8.50")	1900 lb	36571	130094-0499	36571SS	130094-0500
24.38–31.75mm (.96–1.25")	0.229m (9.00")	0.279m (11.00")	1900 lb	36574	130094-0502	36574SS	130094-0503

* To determine Workload Safety Factor, divide Approximate Break Strength by 10. See technical section for break strength on page 104.

LOCKING BALE/UNIVERSAL EYE — GALVANIZED STEEL

Features and Benefits

- Used for bus drop cable
- Locking bale provides easy, quick attachment to fixed structure without the need for additional hardware
- Galvanized steel wire mesh is for indoor use only

Specifications

Physical	Mesh Material: Galvanized Steel wire mesh Weave Type: Single weave mesh Mesh Type: Closed
Reference Information	CSA File No.: LR32159 (except accessories)



Cable Diameter	Bale Length	Mesh Length	Approximate Break Strength*	Galvanized Steel	
				Engineering No.	Order No.
5.59–8.13mm (.22–.32")	0.305m (12.00")	0.089m (3.50")	650 lb	36580	130094-0510
7.62–10.92mm (.30–.43")	0.305m (12.00")	0.114m (4.50")	1100 lb	36582	130094-0512
10.16–14.22mm (.40–.56")	0.305m (12.00")	0.127m (5.00")	1100 lb	36584	130094-0514
13.46–18.54mm (.53–.73")	0.380m (15.00")	0.165m (6.50")	1100 lb	36587	130094-0517
17.78–21.59mm (.70–.85")	0.406m (16.00")	0.216m (8.50")	1900 lb	36589	130094-0519
20.83–25.40mm (.82–1.00")	0.406m (16.00")	0.216m (8.50")	1900 lb	36591	130094-0520
24.38–31.75mm (.96–1.25")	0.432m (17.00")	0.279m (11.00")	1900 lb	36594	130094-0521

* To determine Workload Safety Factor, divide Approximate Break Strength by 10. See technical section for break strength on page 104.



Bus-Drop Accessories					
Description	Load (max.)	Galvanized Steel		Stainless Steel	
		Engineering No.	Order No.	Engineering No.	Order No.
Safety Spring	40 lb	36237	130099-0051	36237SS	130099-0228
Safety Spring	80 lb	36238	130099-0052	36238SS	130099-0229
Support Hook	—	36241	130094-0488	36241SS	130094-1401

Pulling Grips

Applications

- Construction
- Mining
- Utility Works



Woodhead Pulling Grips are designed for overhead, underground or in-plant wiring applications and serve as reusable tools for pulling insulated conductors, bare wires, cable, fiber optic cable and nylon and wire rope.

Woodhead Pulling Grips are available in a wide range of styles and are made of high-quality galvanized-steel wire. All styles feature a smooth, even, thin profile, making these grips easy to use, quick to install and reusable many times over.



Pulling Grips

Flexible Eye

JUNIOR DUTY

Features and Benefits

- Flexible eye works in both generous and tight spaces
- Galvanized steel mesh offers superior strength
- Shoulder protectors center the grip within a raceway and provide abrasion resistance
- Universally applied for single cable or wire bundles
- Available as tool kit with all sizes below

Specifications

Physical	Mesh Material: Galvanized Steel mesh
	Weave Type: Single weave mesh
	Mesh Type: Closed mesh
Reference Information	CSA File No.: LR32159



Cable Diameter	Mesh Length	Approximate Break Strength*	Engineering No.	Order No.
6.35–9.14mm (.25–.36")	0.127m (5.00")	1700 lb	35970	130095-0194
9.40–12.45mm (.37–.49")	0.178m (7.00")	1700 lb	35971	130095-0196
12.70–15.49mm (.50–.61")	0.203m (8.00")	1700 lb	35972	130095-0197
15.75–18.80mm (.62–.74")	0.254m (10.00")	2800 lb	35973	130095-0198
19.05–25.15mm (.75–.99")	0.254m (10.00")	4100 lb	35974	130095-0200
25.40–31.50mm (1.00–1.24")	0.305m (12.00")	4100 lb	35975	130095-0201

* To determine Workload Safety Factor, divide Approximate Break Strength by 5. See technical section for break strength on page 104.

Flexible Eye Kit			
Description	Engineering No.	Order No.	
Contains 1 each of the following: 35970, 35971, 35972, 35973, 35974, 35975	35976	130095-0202	

LIGHT DUTY

Features and Benefits

- Flexible eye works in both generous and tight spaces
- Galvanized steel mesh offers superior strength
- Shoulder protectors center the grip within a raceway and provide abrasion resistance
- Universally applied for single cable or wire bundles in commercial, industrial and underground applications

Specifications

Physical	Mesh Material: Galvanized Steel mesh
	Weave Type: Single weave mesh
	Mesh Type: Closed mesh
Reference Information	CSA File No.: LR32159



Cable Diameter	Mesh Length	Approximate Break Strength*	Engineering No.	Order No.
12.70–15.49mm (.50–.61")	0.324m (12.75")	3400 lb	35901	130095-0146
15.88–19.05mm (.63–.75")	0.356m (14.00")	4100 lb	35902	130095-0147
19.05–25.15mm (.75–.99")	0.275m (14.75")	4100 lb	35903	130095-0148
25.40–31.50mm (1.00–1.24")	0.419m (16.50")	5800 lb	35904	130095-0149
31.75–37.85mm (1.25–1.49")	0.432m (17.00")	5800 lb	35905	130095-0150
38.10–44.20mm (1.50–1.74")	0.508m (20.00")	7500 lb	35906	130095-0151
44.45–50.55mm (1.75–1.99")	0.597m (23.50")	10,000 lb	35907	130095-0152
50.80–63.25mm (2.00–2.49")	0.584m (23.00")	10,000 lb	35908	130095-0153
63.50–75.95mm (2.50–2.99")	0.603m (23.75")	13,000 lb	35909	130095-0154

* To determine Workload Safety Factor, divide Approximate Break Strength by 5. See technical section for break strength on page 104.

Pulling Grips

Flexible Eye

MEDIUM DUTY

Features and Benefits

- Flexible eye works in both generous and tight spaces
- Galvanized steel mesh offers superior strength
- Shoulder protectors center the grip within a raceway and provide abrasion resistance
- Wide application for medium-duty overhead and underground pulling
- Available as tool kit with all sizes below

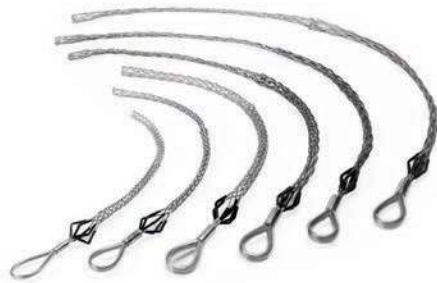
Specifications

Physical	Mesh Material: Galvanized Steel mesh
	Weave Type: Half single weave/half double weave mesh
	Mesh Type: Closed mesh
Reference Information	CSA File No.: LR32159



Cable Diameter	Mesh Length	Approximate Break Strength*	Engineering No.	Order No.
9.40–12.45mm (.37–.49")	0.305m (12.00")	2600 lb	35930	130095-0165
12.70–18.80mm (.50–.74")	0.356m (14.00")	3400 lb	35931	130095-0166
19.05–25.15mm (.75–.99")	0.457m (18.00")	5500 lb	35932	130095-0167
25.40–31.50mm (1.00–1.24")	0.559m (22.00")	8100 lb	35933	130095-0168
31.75–37.85mm (1.25–1.49")	0.610m (24.00")	8100 lb	35934	130095-0169
38.10–50.55mm (1.50–1.99")	0.660m (26.00")	8100 lb	35935	130095-0170

* To determine Workload Safety Factor, divide Approximate Break Strength by 5. See technical section for break strength on page 104.



Medium Duty Kit		
Description	Engineering No.	Order No.
Contains 1 each of the following: 35930, 35931, 35932, 35933, 35934, 35935	35937	130095-0171

Pulling Grips

Flexible Eye

MEDIUM/HEAVY DUTY

Features and Benefits

- Flexible eye works in both generous and tight spaces
- Galvanized steel mesh offers superior strength
- Shoulder protectors center the grip within a raceway and provide abrasion resistance
- Wide application for medium- to heavy-duty applications, higher incoming service lines
- Broad grip strength available to match the needs of the required pull for short length, T-type, standard length, T-type and long length

Specifications

Physical	Mesh Material: Galvanized Steel mesh
	Weave Type: Half single weave/half double weave mesh Mesh Type: Closed mesh
Reference Information	CSA File No.: LR32159



Short Length, T-Type					
Cable Diameter	Mesh Length	Cable Eye Thickness	Approximate Break Strength*	Engineering No.	Order No.
12.70–15.49mm (.50–.61")	0.533m (21.00")	5.537mm (.218")	4500 lb	35940	130095-0172
15.88–19.05mm (.63–.75")	0.610m (24.00")	6.350mm (.250")	5600 lb	35941	130095-0173
19.05–25.15mm (.75–.99")	0.610m (24.00")	6.350mm (.250")	6800 lb	35942	130095-0174
25.40–37.85mm (1.00–1.49")	0.610m (24.00")	7.925mm (.312")	9600 lb	35943	130095-0175
38.10–50.55mm (1.50–1.99")	0.610m (24.00")	11.100mm (.437")	16,400 lb	35944	130095-0176
50.80–63.25mm (2.00–2.49")	0.610m (24.00")	11.100mm (.437")	18,500 lb	35945	130095-0177
63.50–75.95mm (2.50–2.99")	0.610m (24.00")	12.700mm (.500")	24,500 lb	35946	130095-0178
76.20–88.65mm (3.00–3.49")	0.610m (24.00")	12.700mm (.500")	24,500 lb	35947	130095-0179
88.90–101.35mm (3.50–3.99")	0.660m (26.00")	15.875mm (.625")	31,000 lb	35948	130095-0180

Standard Length, T-Type					
Cable Diameter	Mesh Length	Cable Eye Thickness	Approximate Break Strength*	Engineering No.	Order No.
19.05–25.15mm (.75–.99")	0.914m (36.00")	6.350mm (.250")	6800 lb	35950	130095-0181
25.40–37.85mm (1.00–1.49")	0.914m (36.00")	7.925mm (.312")	9600 lb	35951	130095-0182
38.10–50.55mm (1.50–1.99")	0.914m (36.00")	11.100mm (.437")	16,400 lb	35952	130095-0183
50.80–63.25mm (2.00–2.49")	0.914m (36.00")	11.100mm (.437")	18,500 lb	35953	130095-0184
63.50–75.95mm (2.50–2.99")	0.914m (36.00")	12.700mm (.500")	24,500 lb	35954	130095-0185
76.20–88.65mm (3.00–3.49")	0.914m (36.00")	12.700mm (.500")	24,500 lb	35955	130095-0186
88.90–101.35mm (3.50–3.99")	1.016m (40.00")	15.875mm (.625")	31,000 lb	35956	130095-0187



Medium Duty, Standard Length T-Type Kit		
Description	Engineering No.	Order No.
Contains 1 each of the following: 35950, 35951, 35952, 35953	35980	130095-0203

Medium Duty, Long Length				
Cable Diameter	Mesh Length	Approximate Break Strength*	Engineering No.	Order No.
19.05–25.15mm (.75–.99")	1.219m (48.00")	8100 lb	35960	130095-0188
25.40–37.85mm (1.00–1.49")	1.219m (48.00")	11,600 lb	35961	130095-0189
38.10–50.55mm (1.50–1.99")	1.219m (48.00")	19,400 lb	35962	130095-0190
50.80–63.25mm (2.00–2.49")	1.219m (48.00")	19,400 lb	35963	130095-0191
63.50–75.95mm (2.50–2.99")	1.219m (48.00")	25,900 lb	35964	130095-0192

* To determine Workload Safety Factor, divide Approximate Break Strength by 5. See technical section for break strength on page 104.

Pulling Grips

Rotating Eye

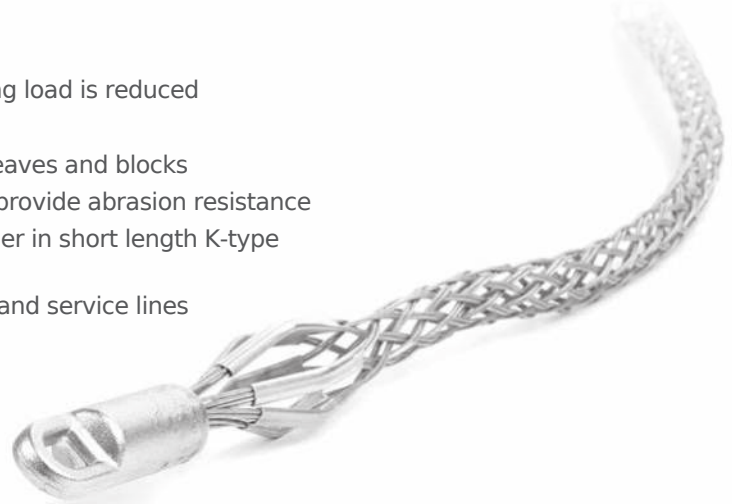
HEAVY DUTY

Features and Benefits

- Rotating eye can reduce rotational torque whenever pulling load is reduced
- Galvanized steel mesh offers superior strength
- Forged Steel rotating eye will not bind when used with sheaves and blocks
- Shoulder protectors center the grip within a raceway and provide abrasion resistance
- Wide length selection to meet the preference of the installer in short length K-type and standard length K-type
- Wide application for underground cables, communication and service lines

Specifications

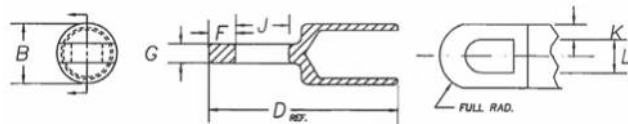
Physical	Mesh Material: Galvanized Steel mesh
	Weave Type: Full double weave mesh
	Mesh Type: Closed mesh
Reference Information	CSA File No.: LR32159



Standard Length, K-Type						
Cable Diameter	Mesh Length	Eye Diameter	Color Code	Approximate Break Strength*	Engineering No.	Order No.
15.88–19.05mm (.63–.75")	0.279m (11.00")	22.225mm (.875")	Dark Green	6800 lb	35851	130095-0123
19.05–25.15mm (.75–.99")	0.508m (20.00")	25.400mm (1.000")	Brown	9600 lb	35867	130095-0126
25.40–37.85mm (1.00–1.49")	0.508m (20.00")	34.925mm (1.375")	Light Blue	16,400 lb	35868	130095-0127
31.75–37.85mm (1.25–1.49")	0.533m (21.00")	34.925mm (1.375")	Gold	16,400 lb	35869	130095-0128
38.10–50.55mm (1.50–1.99")	0.635m (25.00")	41.275mm (1.625")	Black	27,200 lb	35870	130095-0129
50.80–63.25mm (2.00–2.49")	0.660m (26.00")	47.625mm (1.875")	Red	33,000 lb	35871	130095-0130
63.50–75.95mm (2.50–2.99")	0.711m (28.00")	47.625mm (1.875")	Dark Blue	41,000 lb	35872	130095-0131
76.20–88.65mm (3.00–3.49")	0.762m (30.00")	47.625mm (1.875")	Yellow	48,000 lb	35873	130095-0132

Standard Length, K-Type						
Cable Diameter	Mesh Length	Eye Diameter	Approximate Break Strength*	Engineering No.	Order No.	
12.70–15.49mm (.50–.61")	0.406m (16.00")	22.225mm (.875")	5600 lb	35865	130095-0124	
15.88–19.05mm (.63–.75")	0.406m (16.00")	22.225mm (.875")	6800 lb	35866	130095-0125	
19.05–25.15mm (.75–.99")	0.813m (32.00")	25.400mm (1.000")	9600 lb	35880	130095-0135	
25.40–37.85mm (1.00–1.49")	0.838m (33.00")	34.925mm (1.375")	16,400 lb	35881	130095-0136	
38.10–50.55mm (1.50–1.99")	0.864m (34.00")	34.925mm (1.375")	16,400 lb	35882	130095-0137	
50.80–63.25mm (2.00–2.49")	0.914m (36.00")	41.275mm (1.625")	27,200 lb	35883	130095-0138	

* To determine Workload Safety Factor, divide Approximate Break Strength by 5. See technical section for break strength on page 104.



Rotating Eye Diameter						
B Eye Diameter	D Full Length	F Leading Eye Length	G Leading Eye Thickness	J Opening Length (at center line)	K Eye Sidewall Thickness	L Opening Width
22.225mm (.875")	2.750mm (.108")	.250mm (.010")	.281mm (.011")	.875mm (.034")	.187mm (.007")	.500mm (.020")
25.400mm (1.000")	3.625mm (.143")	.312mm (.012")	.500mm (.020")	.906mm (.036")	.219mm (.009")	.562mm (.022")
34.925mm (1.375")	4.625mm (.182")	.375mm (.015")	.500mm (.020")	1.000mm (.039")	.344mm (.014")	.687mm (.027")
41.275mm (1.625")	5.437mm (.214")	.500mm (.020")	.625mm (.025")	1.187mm (.047")	.375mm (.015")	.875mm (.034")
47.625mm (1.875")	6.250mm (.246")	.500mm (.020")	.625mm (.025")	1.375mm (.054")	.437mm (.017")	1.000mm (.039")

Pulling Grips

Slack/Offset Eye

MEDIUM/HEAVY DUTY

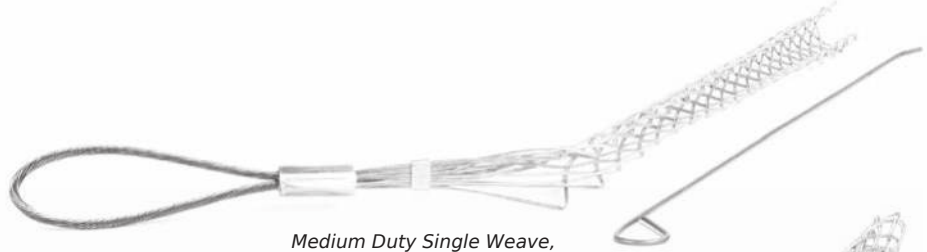
Features and Benefits

- Flexible offset eye allows for easy attachment to the pulling line
- Galvanized Steel mesh offers superior strength
- Medium Duty — Open mesh, split rod attached mid-cable to pull slack for final cable placement or remove cable
- Heavy Duty — Full double weave mesh offers very high strength to pull slack for final cable placement or to remove cable; typically for underground cable

Specifications

Physical	Mesh Material: Galvanized Steel mesh
	Weave Type: Medium Duty: Single weave mesh Heavy Duty: Full double weave mesh
	Mesh Type: Medium Duty: Open mesh, split rod Heavy Duty: Closed mesh/open mesh, split lace

Reference Information CSA File No.: LR32159



Medium Duty Single Weave, Standard Length, Split Rod



Heavy Duty Double Weave, Standard Length, Closed Mesh



Heavy Duty Double Weave, Standard Length, Split Lace

Medium Duty Single Weave, Standard Length, Split Rod

Cable Diameter	Mesh Length	Approximate Break Strength*	Engineering No.	Order No.
12.70–15.49mm (.50–.61")	0.178m (7.00")	1800 lb	36140	130095-0253
15.88–19.05mm (.63–.75")	0.229m (9.00")	1900 lb	36141	130095-0255
19.05–25.15mm (.75–.99")	0.279m (11.00")	3000 lb	36142	130095-0256
25.40–31.50mm (1.00–1.24")	0.305m (12.00")	4100 lb	36143	130095-0257
31.75–37.85mm (1.25–1.49")	0.356m (14.00")	5700 lb	36144	130095-0258
38.10–44.20mm (1.50–1.74")	0.406m (16.00")	5800 lb	36145	130095-0259
44.45–50.55mm (1.75–1.99")	0.432m (17.00")	7700 lb	36146	130095-0260
50.80–63.25mm (2.00–2.49")	0.508m (20.00")	9300 lb	36147	130095-0261

Heavy Duty Double Weave, Standard Length, Closed Mesh

Cable Diameter	Mesh Length	Approximate Break Strength*	Engineering No.	Order No.
19.05–25.15mm (.75–.99")	0.330m (13.00")	3000 lb	36101	130095-0225
25.40–31.50mm (1.00–1.24")	0.406m (16.00")	4200 lb	36102	130095-0227
31.75–37.85mm (1.25–1.49")	0.432m (17.00")	5500 lb	36103	130095-0229
38.10–44.20mm (1.50–1.74")	0.457m (18.00")	7400 lb	36104	130095-0230

Heavy Duty Double Weave, Standard Length, Split Lace

Cable Diameter	Mesh Length	Approximate Break Strength*	Engineering No.	Order No.
19.05–25.15mm (.75–.99")	0.330m (13.00")	3000 lb	36120	130095-0240
25.40–31.50mm (1.00–1.24")	0.406m (16.00")	4100 lb	36121	130095-0241
31.75–37.85mm (1.25–1.49")	0.432m (17.00")	4100 lb	36122	130095-0242
38.10–44.20mm (1.50–1.74")	0.457m (18.00")	5500 lb	36123	130095-0243
44.45–50.55mm (1.75–1.99")	0.483m (19.00")	7300 lb	36124	130095-0244

* To determine Workload Safety Factor, divide Approximate Break Strength by 5. See technical section for break strength on page 104.

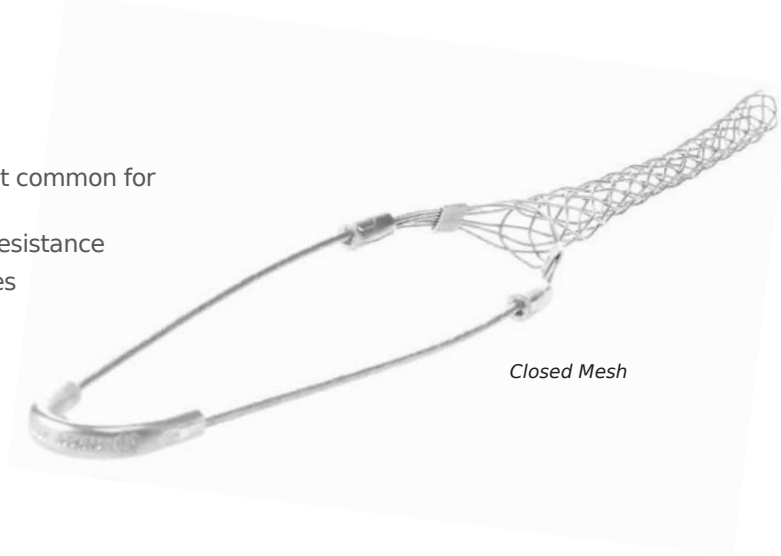
Pulling Grips

Fiber Optics

SINGLE EYE SUPPORT GRIPS

Features and Benefits

- Single eye/bale is universally applied and most common for fiber optic cable
- Tinned-bronze wire mesh provides corrosion resistance
- Top-mounted reinforced eye protector provides stable and longer-life support
- Closed mesh provides permanent support when cable end is available
- Split rod provides support for mid-cable placement



Specifications

Physical	Mesh Material: Tinned-Bronze wire mesh Mesh Type: Closed or split rod
Reference Information	CSA File No.: LR32159



Fiber Optic, Closed Mesh, Single Eye

Cable Diameter	Bale Length	Mesh Length	Approximate Break Strength*	Engineering No.	Order No.
4.57–6.35mm (.18–.25")	0.076m (3.00")	0.043m (1.70")	300 lb	36670	130094-0522
5.59–8.13mm (.22–.32")	0.076m (3.00")	0.064m (2.50")	300 lb	36671	130094-0523
7.62–9.91mm (.30–.39")	0.102m (4.00")	0.064m (2.50")	300 lb	36672	130094-0524
9.40–12.19mm (.37–.48")	0.127m (5.00")	0.102m (4.00")	300 lb	36673	130094-0525
11.68–14.73mm (.46–.58")	0.152m (6.00")	0.102m (4.00")	400 lb	36674	130094-0526
14.22–18.03mm (.56–.71")	0.178m (7.00")	0.140m (5.50")	500 lb	36675	130094-0527
17.53–22.35mm (.69–.88")	0.203m (8.00")	0.152m (6.00")	800 lb	36676	130094-0528

Fiber Optic, Split Rod, Single Eye

Cable Diameter	Bale Length	Mesh Length	Approximate Break Strength*	Engineering No.	Order No.
4.57–6.35mm (.18–.25")	0.076m (3.00")	0.064m (2.50")	300 lb	36680	130094-0529
5.84–8.13mm (.23–.32")	0.076m (3.00")	0.064m (2.50")	300 lb	36681	130094-0530
7.62–9.91mm (.30–.39")	0.229m (9.00")	0.064m (2.50")	300 lb	36682	130094-0531
9.53–11.10mm (.38–.44")	0.102m (4.00")	0.064m (2.50")	300 lb	36683	130094-0532
11.68–14.73mm (.46–.58")	0.152m (6.00")	0.102m (4.00")	400 lb	36684	130094-0533
14.22–18.03mm (.56–.71")	0.178m (7.00")	0.140m (5.50")	500 lb	36685	130094-0534
17.53–22.35mm (.69–.88")	0.203m (8.00")	0.152m (6.00")	800 lb	36686	130094-0535

* To determine Workload Safety Factor, divide Approximate Break Strength by 10. See technical section for break strength on page 104. For Stainless Steel Support Grips, add "SS" to the part number. For example, 35425 becomes 35422SS.

Technical Information

Strain Relief Grips

Operating Temperatures

Material	Temperature Range
Aluminum	-40 °C to +149 °C (-40 °F to +300 °F)
Aluminum deluxe cord grips	-34 °C to +115 °C (-30 °F to +240 °F)
Non-metallic deluxe cord grips	-34 °C to +107 °C (-30 °F to +225 °F)
Nylon	-40 °C to +107 °C (-40 °F to +225 °F)
Nylon fitting with stainless steel mesh	-40 °C to +107 °C (-40 °F to +225 °F)
Stainless steel	-51 °C to +537 °C (-60 °F to +1000 °F)
Stainless steel deluxe cord grips	-34 °C to +115 °C (-30 °F to +240 °F)
Rubber (bushings)	-40 °C to +350 °C (-40 °F to +662 °F)

Flammability Rating for Non-Metallic MAX-LOC™ Grips

Component	Rating	Note
Wire mesh grip	94HB*	Non-metallic deluxe cord grips will not support combustion
Fitting	94V-2†	

* A test method used by UL to determine a rate of burning and/or extent and time of burning of self-supporting plastics in a horizontal position (ASTM D 635-88, IEC 707-1981, ISO/DIS 1210.2).

† A test method used by UL for measuring the comparative extinguishing characteristics of solid plastics in a vertical position (IEC 707-1981, ISO/DIS 1210.2).

Knockout Holes

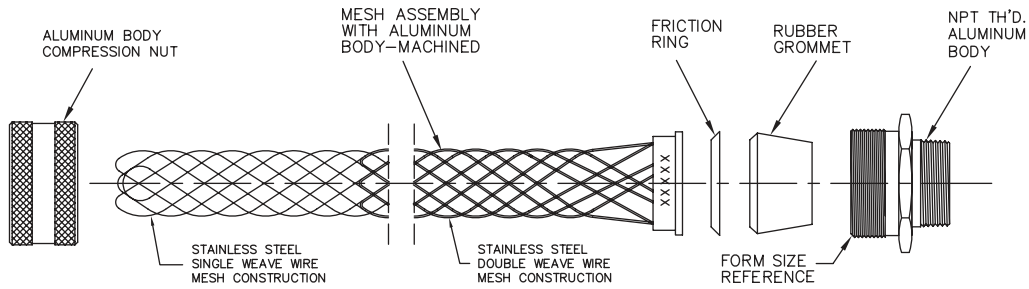
NPT Hub Size	Knockout Hole Recommended
¼"	1.37 to 1.45cm (.540 to .570")
⅜"	1.70 to 1.78cm (.671 to .701")
½"	2.18 to 2.30cm (.859 to .906")
¾"	2.78 to 2.90cm (1.094 to 1.141")
1"	3.45 to 3.57cm (1.359 to 1.406")
1¼"	4.37 to 4.49cm (1.719 to 1.766")
1½"	5.00 to 5.12cm (1.969 to 2.016")
2"	6.23 to 6.35cm (2.453 to 2.500")
2½"	7.50 to 7.62cm (2.953 to 3.000")
3"	9.09 to 9.21cm (3.578 to 3.625")

Technical Information

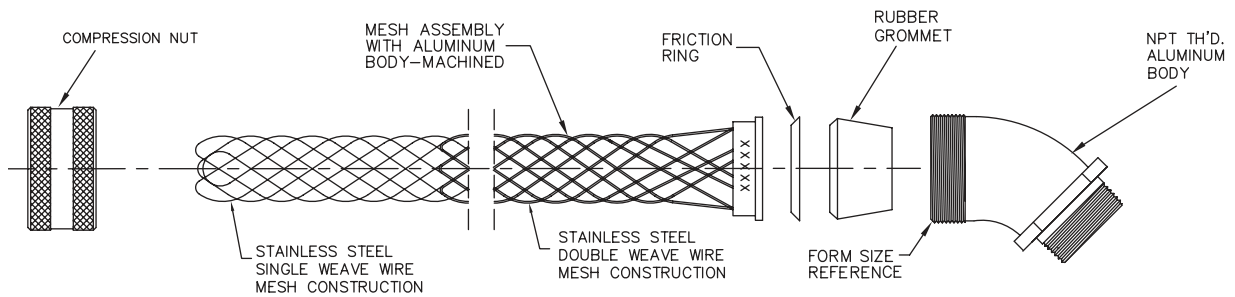
Deluxe Cord Grips

COMPONENT DETAIL

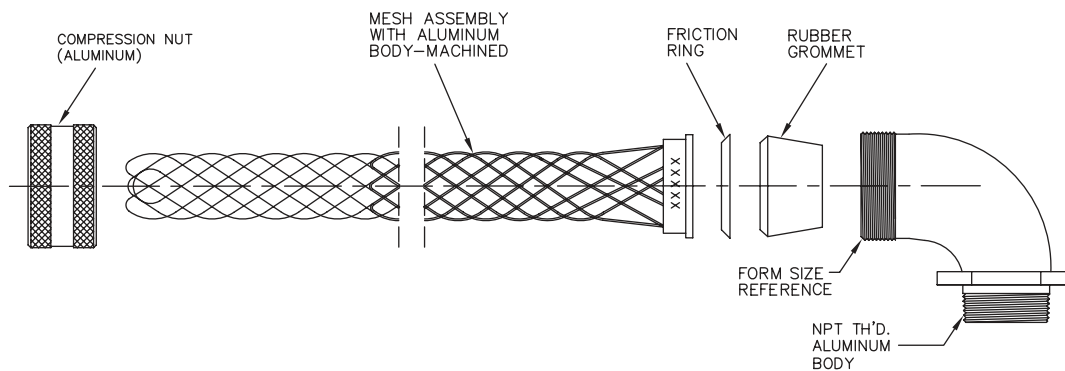
Straight Male



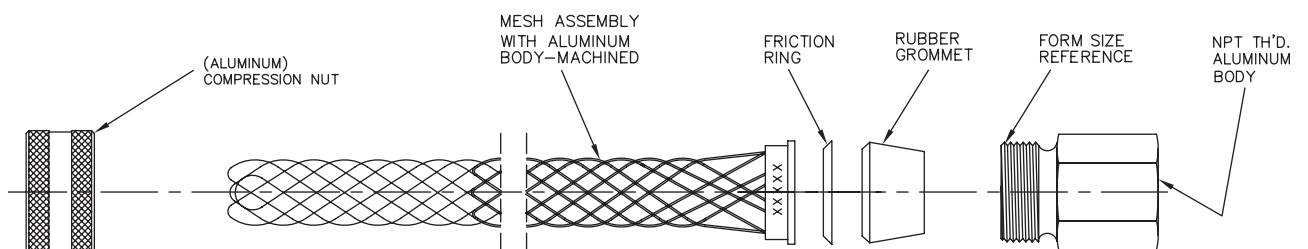
45° Male



Right Angle Male



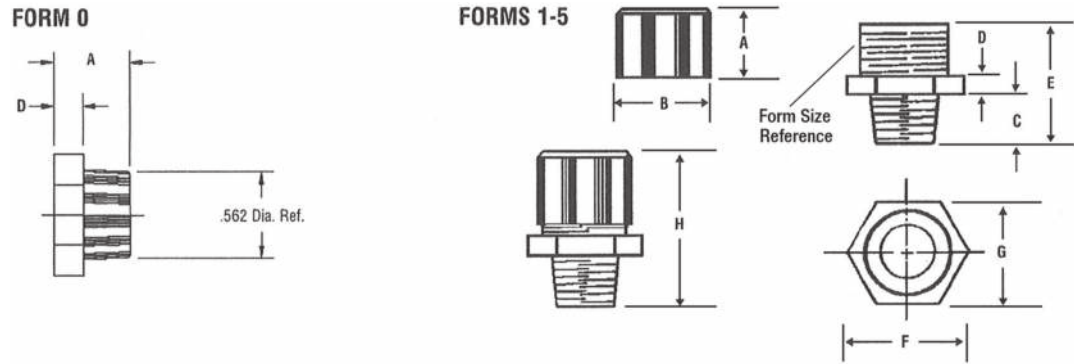
Straight Female



Technical Information

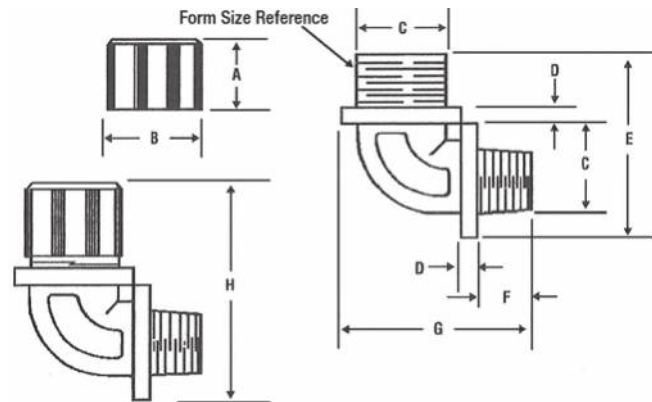
MAX-LOC® Cable Grips

NON-METALLIC DIMENSIONS



MAX-LOC Non-Metallic Dimensions — Straight Bodies

Form	NPT	Diagram References in Inches							
		A	B	C	D	E	F	G	H (Ref.)
0	¼"	.500	.778	.370	.187	.921	.778	.687	1.25
1	⅜"	1.000	1.150	.500	.250	1.250	1.115	1.000	1.85
2	½"	1.000	1.300	.500	.300	1.450	1.250	1.100	2.00
3	¾"	1.000	1.500	.550	.375	1.700	1.578	1.375	2.00
4	1"	1.000	1.850	.687	.375	1.800	1.900	1.650	2.12
5	1¼"	1.000	2.050	.687	.375	1.800	2.100	1.850	2.12



MAX-LOC Non-Metallic Dimensions — Right Angle Bodies

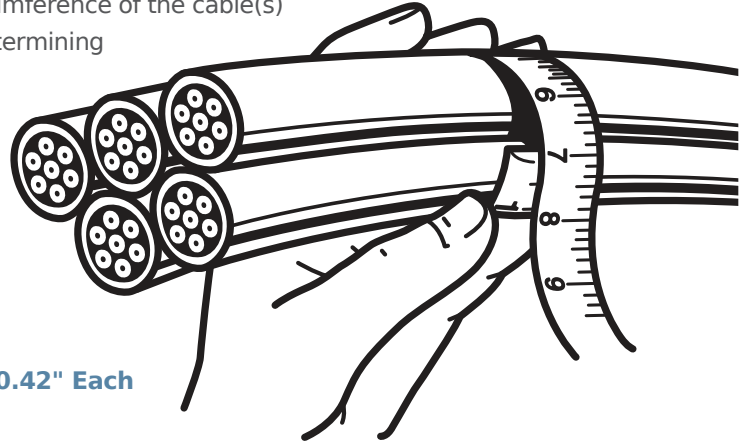
Form	NPT	Diagram References in Inches							
		A	B	C	D	E	F	G	H (Ref.)
1	⅜"	1.000	1.150	1.100	.187	1.812	.450	1.687	2.35
2	½"	1.000	1.300	1.165	.187	1.900	.578	1.820	2.40
3	¾"	1.000	1.500	1.600	.187	2.421	.593	2.218	2.75
4	1"	1.000	1.850	1.850	.187	2.656	.800	2.700	3.00
5	1¼"	1.000	2.050	1.965	.187	2.859	.750	2.812	3.25

Technical Information

Cable Grips

Selecting Properly Sized Pulling and Support Grips

- Select grip size based upon the outside diameter or circumference of the cable(s)
- See the following reference tables for convenience in determining cable diameters
- Use the following grip selection tables to determine the grip diameter range for your application



Grip Selection for One or More Cables of Equal Diameter

1. Read across top line for number of cables in one grip.
2. Read down for diameter of each cable.
3. Read across to the right to grip diameter range column.

Example for Five Cables Together with Diameter of 0.42" Each

1. Locate "5 cables" column.
2. Read down column to range (0.38 to 0.48").
3. Read across line to grip diameter range (1.00 to 1.25").

Decimal and Fractional Inch Cable Diameters for 1 or More Cables of Equal Diameter

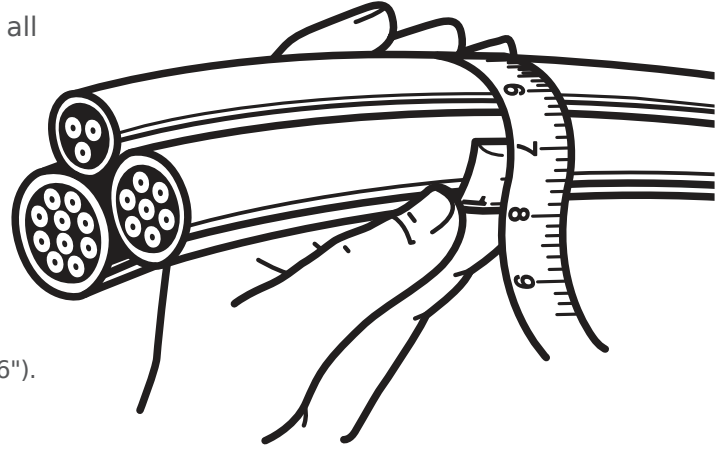
1 Cable	2 Cables	3 Cables	4 Cables	Grip Diameter Range
0.25 to 0.37 = ¼ to ¾	0.16 to 0.25 = ¼ ₆₄ to ¼	0.15 to 0.22 = 5/32 to 7/32	0.12 to 0.20 = 1/8 to 13/64	0.25 to 0.375
0.37 to 0.50 = ¾ to ½	0.25 to 0.36 = ¼ to 23/64	0.22 to 0.33 = 7/32 to 21/64	0.20 to 0.28 = 13/64 to 9/32	0.375 to 0.50
0.50 to 0.62 = ½ to 5/8	0.27 to 0.36 = 17/64 to 23/64	0.26 to 0.33 = 17/64 to 21/64	0.24 to 0.28 = 15/64 to 9/32	0.50 to 0.62
0.62 to 0.75 = 5/8 to ¾	0.36 to 0.45 = 23/64 to 29/64	0.33 to 0.36 = 21/64 to 23/64	0.28 to 0.31 = 9/32 to 5/16	0.62 to 0.75
0.75 to 1.00 = ¾ to 1	0.45 to 0.60 = 29/64 to 39/64	0.36 to 0.49 = 23/64 to 31/64	0.31 to 0.42 = 5/16 to 27/64	0.75 to 1.00
1.00 to 1.25 = 1 to 1¼	0.60 to 0.76 = 39/64 to 49/64	0.49 to 0.63 = 31/64 to 5/8	0.42 to 0.54 = 27/64 to 35/64	1.00 to 1.25
1.25 to 1.50 = 1¼ to 1½	0.76 to 0.91 = 49/64 to 29/32	0.63 to 0.75 = 5/8 to 49/64	0.54 to 0.65 = 35/64 to 21/32	1.25 to 1.50
1.50 to 1.75 = 1½ to 1¾	0.88 to 1.08 = 49/64 to 13/64	0.76 to 0.89 = 49/64 to 57/64	0.65 to 0.77 = 21/32 to 49/64	1.50 to 1.75
1.75 to 2.00 = 1¾ to 2	1.08 to 1.23 = 13/64 to 115/64	0.89 to 1.02 = 57/64 to 11/64	0.77 to 0.88 = 49/64 to 7/8	1.75 to 2.00
2.00 to 2.50 = 2 to 2½	1.23 to 1.54 = 115/64 to 135/64	1.02 to 1.28 = 11/64 to 19/32	0.88 to 1.00 = 7/8 to 1	2.00 to 2.50
2.50 to 3.00 = 2½ to 3	1.54 to 1.84 = 135/64 to 127/32	1.28 to 1.53 = 19/32 to 117/32	1.10 to 1.32 = 13/32 to 121/64	2.50 to 3.00
3.00 to 3.50 = 3 to 3½	1.84 to 2.15 = 127/32 to 25/32	1.53 to 1.79 = 117/32 to 151/64	1.32 to 1.54 = 121/64 to 135/64	3.00 to 3.50
3.50 to 4.00 = 3½ to 4	2.15 to 2.45 = 25/32 to 229/64	1.79 to 2.05 = 151/64 to 23/64	1.54 to 1.76 = 135/64 to 149/64	3.50 to 4.00
5 Cables	6 and 7 Cables	8 Cables	9 Cables	Grip Diameter Range
0.11 to 0.14 = 7/64 to 3/64	0.10 to 0.11 = 3/32 to 7/64	0.09 to 0.10 = 3/32 to 7/64	0.06 to 0.09 = 1/16 to 3/32	0.25 to 0.375
0.14 to 0.21 = 9/64 to 1/4	0.11 to 0.25 = 7/64 to 1/4	0.10 to 0.20 = 7/64 to 13/64	0.09 to 0.19 = 3/32 to 3/16	0.375 to 0.50
0.21 to 0.25 = 7/32 to 1/4	0.19 to 0.22 = 3/16 to 7/32	0.17 to 0.20 = 11/64 to 13/64	0.15 to 0.19 = 3/32 to 3/16	0.50 to 0.62
0.25 to 0.29 = 1/4 to 19/64	0.22 to 0.26 = 7/32 to 17/64	0.20 to 0.23 = 13/64 to 15/64	0.19 to 0.22 = 3/16 to 7/32	0.62 to 0.75
0.29 to 0.38 = 19/64 to 3/8	0.26 to 0.34 = 17/64 to 11/32	0.23 to 0.31 = 15/64 to 5/16	0.22 to 0.31 = 7/32 to 5/16	0.75 to 1.00
0.38 to 0.48 = 3/8 to 31/64	0.34 to 0.43 = 11/32 to 7/16	0.31 to 0.39 = 5/16 to 25/64	0.29 to 0.36 = 19/64 to 23/64	1.00 to 1.25
0.48 to 0.58 = 31/64 to 41/64	0.43 to 0.52 = 7/16 to 33/64	0.39 to 0.46 = 25/64 to 15/32	0.36 to 0.43 = 23/64 to 7/16	1.25 to 1.50
0.58 to 0.67 = 37/64 to 43/64	0.52 to 0.60 = 33/64 to 39/64	0.46 to 0.54 = 15/32 to 35/64	0.43 to 0.49 = 7/16 to 31/64	1.50 to 1.75
0.67 to 0.77 = 43/64 to 49/64	0.60 to 0.69 = 39/64 to 11/16	0.54 to 0.62 = 35/64 to 5/8	0.49 to 0.57 = 31/64 to 37/64	1.75 to 2.00
0.77 to 0.96 = 49/64 to 31/32	0.69 to 0.86 = 11/16 to 55/64	0.62 to 0.77 = 5/8 to 49/64	0.57 to 0.72 = 37/64 to 23/32	2.00 to 2.50
0.96 to 1.16 = 31/32 to 15/32	0.86 to 1.03 = 55/64 to 11/32	0.77 to 0.93 = 49/64 to 15/16	0.72 to 0.86 = 23/32 to 55/64	2.50 to 3.00
1.16 to 1.35 = 19/32 to 123/64	1.03 to 1.20 = 11/32 to 113/64	0.93 to 1.08 = 19/16 to 13/64	0.86 to 1.00 = 55/64 to 1	3.00 to 3.50
1.35 to 1.54 = 123/64 to 139/64	1.20 to 1.37 = 113/64 to 13/8	1.08 to 1.24 = 13/64 to 151/64	1.00 to 1.14 = 1 to 19/64	3.50 to 4.00

Technical Information

Cable Grips

Selecting Properly Sized Pulling and Support Grips

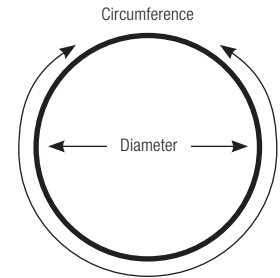
- Grip circumference range refers to circumference of all cables held together
1. Determine grip circumference range by measuring circumference of bundle of cables to be held (as shown in illustration).
 2. Read down to locate correct range.
 3. Read across to grip diameter column.



Example for Three Cables Together with Combined Circumference of 6.35"

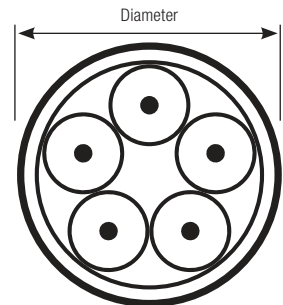
1. Read down "inches (decimal)" column for 6.35" (6.29 to 7.86").
2. Read across line to grip diameter range (2.00 to 2.50").

Grip Circumference Range for Cables of Different Diameters		
Grip Circumference Range (inches fractional)	Grip Circumference Range (inches decimal)	Grip Diameter Range
$\frac{25}{32}$ to $1\frac{1}{64}$ "	0.78 to 1.17"	0.25 to .375"
$1\frac{1}{64}$ to $1\frac{37}{64}$ "	1.17 to 1.57"	0.375 to 0.50
$1\frac{37}{64}$ to $2\frac{3}{8}$ "	1.57 to 2.37"	0.50 to 0.75"
$1\frac{5}{16}$ to $2\frac{3}{8}$ "	1.94 to 2.37"	0.625 to 0.75"
$2\frac{3}{8}$ to $3\frac{3}{32}$ "	2.37 to 3.15"	0.75 to 1.00"
$3\frac{3}{32}$ to $3\frac{15}{16}$ "	3.15 to 3.94"	1.00 to 1.25"
$3\frac{15}{16}$ to $4\frac{23}{32}$ "	3.94 to 4.72"	1.25 to 1.50"
$4\frac{23}{32}$ to $5\frac{33}{64}$ "	4.72 to 5.51"	1.50 to 1.75"
$5\frac{33}{64}$ to $6\frac{19}{64}$ "	5.51 to 6.29"	1.75 to 2.00"
$6\frac{19}{64}$ to $7\frac{59}{64}$ "	6.29 to 7.86"	2.00 to 2.50"
$7\frac{59}{64}$ to $9\frac{7}{16}$ "	7.86 to 9.43"	2.50 to 3.00"
$9\frac{7}{16}$ to $11\frac{1}{64}$ "	9.43 to 11.01"	3.00 to 3.50"
$11\frac{1}{64}$ to $12\frac{37}{64}$ "	11.01 to 12.58"	3.50 to 4.00"



For your convenience, the following are nominal overall diameters (in inches) for flexible cord.

Cord Diameters Reference Table				
AWG Wire Size and Type	2 Conductors	3 Conductors	4 Conductors	5 Conductors
18 SO, STO	0.36"	0.38"	0.41"	0.49"
18 SJO, SJTO	0.30"	0.32"	0.35"	—
16 SO, STO	0.39"	0.41"	0.44"	0.52"
16 SJO, SJTO	0.32"	0.34"	0.37"	—
14 SO, STO	0.52"	0.55"	0.59"	0.67"
12 SO, STO	0.60"	0.62"	0.68"	0.74"
10 SO, STO	0.65"	0.69"	0.74"	0.80"
8 SO, STO	0.83"	0.88"	0.99"	1.08"
6 SO, STO	0.99"	1.04"	1.12"	1.25"

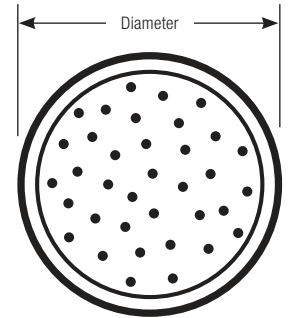


Technical Information

Pulling and Support Grips

AWG or MCM Wire Sizes					
AWG or MCM	Approximate Diameter THHM	Approximate Diameter THW	AWG or MCM	Approximate Diameter THHM	Approximate Diameter THW
14	0.105"	0.162"	3/0	0.588"	0.647"
12	0.122"	0.179"	4/0	0.646"	0.705"
10	0.153"	0.199"	250	0.716"	0.788"
8	0.201"	0.259"	300	0.771"	0.843"
6	0.257"	0.323"	350	0.822"	0.895"
4	0.328"	0.372"	400	0.869"	0.942"
3	0.356"	0.401"	500	0.955"	1.03"
2	0.388"	0.433"	600	1.06"	1.14"
1	0.450"	0.508"	700	1.13"	1.21"
1/0	0.491"	0.549"	750	1.16"	1.25"
2/0	0.537"	0.595"	1000	1.32"	1.40"

Note: This table to be used as a guide only. Sizes may vary by manufacturer.



Strength Information

The approximate breaking strength of any Woodhead wire mesh cable grip is based on working load information established by Molex Incorporated engineering laboratories. In making these determinations, it is not possible to cover all applications and operating conditions. Variables such as diameters, gripping surfaces, number of items gripped, tension, movement, attachment, abrasion, corrosion, prior use or abuse must be assessed by the user. Greater safety factors should be utilized when the conditions of application are vague or unknown.

For specific applications where strength and holding power are important, consult the manufacturer. To determine the recommended working load safety factor for listed cable grips, divide the approximate breaking strength by 5 for pulling grips and 10 for support grips. Woodhead maintains a Six Sigma safety factor for pulling grips and a Five Sigma safety factor for support grips for these recommended working loads (using average break strengths obtained on new grips under lab test conditions).

Example: For pulling grips – $33,000 \div 5 = 6,600$ lb, which is the workload factor.

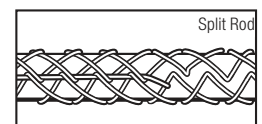
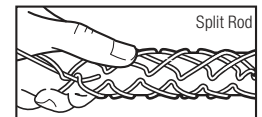
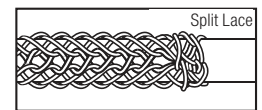
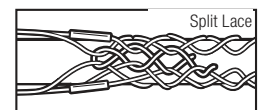
Example: For support grips – $10,080 \div 10 = 1,008$ lb, which is the workload factor.

All warranties concerning product quality or performance are based on wire mesh grips that are properly stored and handled by the user, and grips that are maintained and inspected at a proper frequency in keeping with their use and condition.

Split Lace/Split Rod Attachments (for use where end of cable is not accessible)

Beginning at the end of the grip closest to the bale fitting, thread the lacing through the first two loops of the split, pulling lace through until ends are centered evenly. Cross laces and thread through next two loops, and so on down the grip, being careful not to pull lacing too tight. Spacing of laced closure should be approximately the same as mesh weave. When end of grip is reached, twist lacing strands tightly together, wrap ends of lace around grip and twist again to secure. Excess length may be cut off.

Split grips with rod closing are economical, since they are quickly installed, and are reusable. Simply wrap the grip around the cable and thread the rod through the loops, using a corkscrew motion. To remove, pull the rod out, and the grip is ready for re-use.



Grip Cable Range Conversion		
Metric (mm)	Inches (fractional)	Inches (decimal)
6.35 to 9.13mm	¼ to 23/64"	0.25 to 0.36"
9.52 to 12.30mm	3/8 to 31/64"	0.37 to 0.49"
12.70 to 15.48mm	½ to 39/64"	0.50 to 0.61"
15.88 to 18.65mm	5/8 to 47/64"	0.62 to 0.74"
19.05 to 25.00mm	¾ to 63/64"	0.75 to 0.99"
25.40 to 31.35mm	1 to 1 1/64"	1.00 to 1.24"
31.75 to 37.70mm	1 ¼ to 1 3/64"	1.25 to 1.49"
38.10 to 50.40mm	1 ½ to 1 63/64"	1.50 to 1.99"
50.80 to 63.10mm	2 to 2 31/64"	2.00 to 2.49"
63.50 to 75.80mm	2 ½ to 2 63/64"	2.50 to 2.99"
76.20 to 88.50mm	3 to 3 31/64"	3.00 to 3.49"
88.90 to 101.20mm	3 ½ to 3 63/64"	3.50 to 3.99"

Technical Information

Junior Pulling Grips

JUNIOR PULLING GRIP SELECTION CHART

These charts are a general guide to assist in the selection of the correct Junior Pulling Grip for pulling various groupings of building wire. The following charts are to be used as a general guide for the application of Junior Pulling Grips. Note: "Dummy wires," short pieces, may be used to increase the bundle diameter if needed.

THWN, THHN and XHHW Building Wire														
Description	Cable Diameter Range	Approximate Breaking Strength	Approximate Number of Wires in One Grip										Engineering No.	Order No.
			#14 19 Strand	#12 19 Strand	#10 19 Strand	#8 19 Strand	#6 19 Strand	#4 19 Strand	#3 19 Strand	#2 19 Strand	#1 37 Strand	#1/0 37 Strand		
J 25	.63-.91cm (.25-.36")	2002N (450 lb)	4 to 8	3 to 6	2 to 3	2	1	1	1	—	—	—	35970	130095-0194
J 37	.94-1.24cm (.37-.49")	4003N (900 lb)	9 to 16	6 to 11	4 to 6	3	2	—	—	1	1	1	35971	130095-0196
J 50	1.27-1.55cm (.50-.61")	5782N (1300 lb)	16 to 25	11 to 17	7 to 10	4 to 5	3 to 4	2	2	—	—	—	35972	130095-0197
J 62	1.57-1.88cm (.62-.74")	8674N (1950 lb)	26 to 37	18 to 25	11 to 14	6 to 8	5 to 6	3	3	2	2	—	35973	130095-0198
J 75	1.90-2.51cm (.75-.99")	12454N (2800 lb)	37 to 66	26 to 47	15 to 27	9 to 16	6 to 11	4 to 7	4 to 5	3 to 4	3	2 to 3	35974	130095-0200
J 100	2.54-3.15cm (1.00-1.24")	17347N (3900 lb)	66 to 104	47 to 74	28 to 43	16 to 24	11 to 17	8 to 10	6 to 8	5 to 7	4 to 5	4	35975	130095-0201

RHH, RH, RW and RHW Building Wire														
Description	Cable Diameter Range	Approximate Breaking Strength	Approximate Number of Wires in One Grip									Engineering No.	Order No.	
			#14 7 Strand	#12 7 Strand	#10 7 Strand	#8 7 Strand	#6 7 Strand	#4 7 Strand	#2 7 Strand	#1 19 Strand	#1/0 19 Strand			
J 25	.63-.91cm (.25-.36")	2002N (450 lb)	2	2	1	1	—	—	—	—	—	—	35970	130095-0194
J 37	.94-1.24cm (.37-.49")	4003N (900 lb)	3	2 to 3	2	—	1	1	1	—	—	—	35971	130095-0196
J 50	1.27-1.55cm (.50-.61")	5782N (1300 lb)	4 to 5	4 to 5	3 to 4	2	—	—	—	1	—	—	35972	130095-0197
J 62	1.57-1.88cm (.62-.74")	8674N (1950 lb)	6 to 8	6 to 7	4 to 5	3	2	2	—	—	1	—	35973	130095-0198
J 75	1.90-2.51cm (.75-.99")	12454N (2800 lb)	9 to 16	8 to 14	6 to 10	4 to 6	3 to 4	3 to 4	2 to 3	2	—	—	35974	130095-0200
J 100	2.54-3.15cm (1.00-1.24")	17347N (3900 lb)	16 to 24	15 to 22	11 to 16	7 to 10	5 to 7	4 to 6	4	3	2 to 3	—	35975	130095-0201

THW Building Wire														
Description	Cable Diameter Range	Approximate Breaking Strength	Approximate Number of Wires in One Grip									Engineering No.	Order No.	
			#14 7 Strand	#12 7 Strand	#10 7 Strand	#8 7 Strand	#6 7 Strand	#4 7 Strand	#2 7 Strand	#1 19 Strand	#1/0 19 Strand			
J 25	.63-.91cm (.25-.36")	2002N (450 lb)	2 to 4	2 to 3	2	1	1	1	—	—	—	—	35970	130095-0194
J 37	.94-1.24cm (.37-.49")	4003N (900 lb)	5 to 7	4 to 5	3 to 4	2	—	—	1	—	—	—	35971	130095-0196
J 50	1.27-1.55cm (.50-.61")	5782N (1300 lb)	8 to 11	6 to 8	5 to 7	3 to 4	2	2	—	1	1	—	35972	130095-0197
J 62	1.57-1.88cm (.62-.74")	8674N (1950 lb)	12 to 16	9 to 12	8 to 10	5 to 6	3 to 4	3	2	—	—	—	35973	130095-0198
J 75	1.90-2.51cm (.75-.99")	12454N (2800 lb)	17 to 30	13 to 24	11 to 19	7 to 10	5 to 7	4 to 5	3 to 4	2	2	—	35974	130095-0200
J 100	2.54-3.15cm (1.00-1.24")	17347N (3900 lb)	31 to 48	25 to 37	20 to 30	11 to 17	8 to 11	6 to 8	5 to 6	3 to 4	3	—	35975	130095-0201



Woodhead Wiring Devices



Wet Location



Heavy-Duty Industrial



ArcArrest

Woodhead Wiring Devices



WET LOCATION

Woodhead Watertite Extreme wet-location wiring devices are rated for high-pressure hose-down application up to 1,000 psi, the benchmark for the industry.



HEAVY-DUTY INDUSTRIAL

Woodhead tough nylon Safeway and rubberized Super-Safeway wiring devices are designed for use in rugged industrial environments.

Switch-Rated Connectors (ArcArrest)

Woodhead ArcArrest devices are plugs and receptacles that provide the safety and functionality of a switch.



FDA Compliant Material — FDA Compliant Material per CFR21.177.2600 (Rubber articles intended for repeated use).*



NSF Certified — NSF International has been helping businesses in the agriculture, processing, food equipment, restaurant and retail industries to navigate the food safety and regulatory environment for nearly 70 years.



Antimicrobial — Advanced Vulcanized Silicone Rubber tested to JIS Z2801 / ISO 22196 and shown to be effective to inhibit the growth of bacteria.



UL Listed — UL is a global independent safety science company with more than a century of expertise innovating safety solutions and is dedicated to promoting safe living and working environments.



CSA Certified — CSA International found that representative samples of this product met CA's published Standards for Safety intended for the Canadian market.



IP69K Rated — Superior water ingress protection designed for the most extreme wash down procedures, withstanding hot and high pressure water, in addition to excessively dusty environments.

* It is also important to note that while our Advanced Vulcanized Silicone Rubber may be made from an FDA compliant material recognized as safe for repeated use in food manufacture, preparation and transportation, the final determination of the finished assemblies' appropriateness and suitability in a specific environment or application is the responsibility of the end-use customer.

Woodhead Wiring Devices

Wet Location Food & Beverage/General-Purpose	114
Watertite Extreme Plugs and Connectors for Food & Beverage and General-Purpose Applications	116
Wet Location Petrochemical	118
Watertite Extreme Petrochemical Plugs and Connectors for Oil & Gas Applications.....	119
Wet Location Receptacles and Cordsets	122
Watertite Extreme Receptacles for All Applications.....	122
Watertite Extreme Cordsets for All Applications	124
Accessories	126
Grommets	127
Pin & Sleeve.....	128
Heavy-Duty Industrial	130
Wiring Device Selection Guide.....	132
Super-Safeway and Safeway Straight Blade Plugs and Connectors	134
Super-Safeway and Safeway Locking Blade Plugs and Connectors	136
Safeway Receptacles	138
Super-Safeway Cordsets	140
Super-Safeway Adapters.....	142
Pin & Sleeve.....	144
Technical Information	146
Switch-Rated Connectors (ArcArrest)	162
ArcArrest Configurations.....	166
ArcArrest Accessories	171



Watertite Extreme

Applications

- Breweries
- Dairies
- Food and beverage
- Wastewater treatment
- Water treatment

As the pioneer of wet-location wiring device solutions with Watertite products for over 90 years, Woodhead has expanded its unique rubber offering to include advanced material designs to match the specific application needs of a wide-ranging customer base.

Woodhead's NEW Advanced Vulcanized Silicone Rubber husk repels and inhibits bacterial growth and is ideal for any indoor or outdoor wet location.



Wet Location

Watertite Extreme

PLUGS & CONNECTORS FOR FOOD & BEVERAGE AND GENERAL-PURPOSE APPLICATIONS.

3-Piece Cord Grip
Provides advanced pullout protection

**Multiple Seal Plug/
Connector Interface**
Keeps out contaminants;
resists vapor and
water including
1,000 psi washdown

IP69K Rated
Superior water ingress
protection designed
for the most extreme
wash down procedures,
withstanding hot and
high pressure water, in
addition to excessively
dusty environments

Rubber Grommet
Optimum wedge
angle provides a
superior seal and
highest attainable
gripping force

Compression Nut
Achieves maximum
torque simply by
hand tightening

**Color-Coded
Terminal Screws**
Preset in the open
position, ready to wire

Floating Blade Construction
Provides self-alignment,
and a better mechanical
and electrical connection,
minimizing wear and heat
generation

Severe Chemical Resistance
**NEW Advanced Vulcanized
Silicone Rubber compound**
is suited to withstand
chemical abuse and
exposure

Compression Ring
Secures liquid-
tight seal and helps
maintain maximum
compression force

Specifications

Physical	Plug Blades and Connector Contacts: Nickel-Plated Brass
	Housing: Vulcanized Silicone Rubber
	Face Screws: Stainless Steel
	Face Insert: Nylon
Environmental	Wire Saddle Clamp: Brass
	NEMA Rating: Type 1, 2, 3, 4, 4X, 5, 6, 6P and 12
	IEC Rating: IP55, 56, 57, 65, 66, 67 and 69K
	Operating Temperature: Maximum continuous 75°C, minimum -40°C (no impact)
Reference Information	Temperature Rise: Maximum 30°C temperature rise at full rated current after 50 cycles of overload at 150% of rated current at a power factor of 75%.
	UL File No.: E10176
	CSA File No.: LR6837
	NSF File No.: NSF/ANSI/3-A 14159-1



Wet Location

Watertite Extreme for Food & Beverage and General-Purpose Applications

PLUGS AND CONNECTORS

For receptacles and cordsets, see pages 140–143.

For accessories, see pages 126–127.



24W04



25W04



14W34



15W34



14W48



15W48

Poles	NEMA Configuration	Voltage/Current	Cord Grip Body Size	Plug		Connector			
				Engineering No.	Order No.	Engineering No.	Order No.		
2-Pole/2-Wire	L1-15		15A/125V	F2 ½"	24W04	130146-0077	25W04	130146-0090	
	L2-20		20A/250V	F2 ½"	26W07	130146-0108	27W07	130146-0110	
2-Pole/3-Wire	5-15		15A/125V	F2 ½"	14W47	130146-0031	15W47	130146-0060	
	L5-15		15A/125V	F2 ½"	24W47	130146-0082	25W47	130146-0099	
	6-15		15A/250V	F2 ½"	14W49	130146-0044	15W49	130146-0074	
	L6-15		15A/250V	F2 ½"	24W49	130146-0088	25W49	130146-0106	
	7-15		15A/277V	F2 ½"	14W34	130146-0028	15W34	130146-0059	
	L7-15		15A/277V	F2 ½"	24W34	130146-0079	25W34	130146-0095	
	5-20		20A/125V	F2 ½"	14W33	130146-0022	15W33	130146-0052	
	L5-20		20A/125V	F3 ¾"	26W47	130147-0018	27W47	130147-0044	
	6-20		20A/250V	F2 ½"	14W48	130146-0040	15W48	130146-0068	
	L6-20		20A/250V	F3 ¾"	26W48	130147-0021	27W48	130147-0048	
	L7-20		20A/277V	F3 ¾"	26W49	130147-0023	27W49	130147-0051	
	L5-30		30A/125V	F4 1"	28W47	130147-0072	29W47	130147-0093	
	L6-30		30A/250V	F4 1"	28W48	130147-0074	29W48	130147-0096	
	L7-30		30A/277V	F4 1"	28W49	130147-0076	29W49	130147-0099	
		Non-NEMA Locking CA		50A/250V	F5 1¼"	CS82W65	130155-0155	CS82W64	130155-0154
		Non-NEMA Locking CA		50A/480V	F5 1¼"	CS84W65	130155-0167	CS84W64	130155-0166
3-Pole/3-Wire	Non-NEMA		15A/125V 10A/250V	F2 ½"	14W07	130146-0015	15W07	130146-0050	
	Non-NEMA Locking		15A/125V 10A/250V	F2 ½"	24W07	130146-0078	25W07	130146-0092	
	Non-NEMA Locking		20A/125V/250V	F3 ¾"	26W08	130147-0012	27W08	130147-0035	
	Non-NEMA Locking		20A/250V grounding tab	F3 ¾"	26W08G	130147-0014	27W08G	130147-0036	
	Non-NEMA Locking		30A/125V/250V	F4 1"	28W08	130147-0069	29W08	130147-0089	

Note: For black colored parts add BLK to the engineering number. Example a yellow 24W34 becomes a black part as a 24W34BLK.

Wet Location

Watertite Extreme for Food & Beverage and General-Purpose Applications

PLUGS AND CONNECTORS

For receptacles and cordsets, see pages 140–143.

For accessories, see pages 126–127.



Poles	NEMA Configuration	Voltage/Current	Cord Grip Body Size	Plug		Connector		
				Engineering No.	Order No.	Engineering No.	Order No.	
3-Pole/4-Wire	L14-20		20A/125V/250V	F3 3/4"	26W74	130147-0025	27W74	130147-0053
	L15-20		20A/250V/3ø	F3 3/4"	26W75	130147-0027	27W75	130147-0056
	L16-20		20A/480V/3ø	F3 3/4"	26W76	130147-0029	27W76	130147-0059
	L14-30		30A/125V/250V	F4 1"	28W74	130147-0077	29W74	130147-0102
	L15-30		30A/250V/3ø	F4 1"	28W75	130147-0079	29W75	130147-0105
	L16-30		30A/480V/3ø	F4 1"	28W76	130147-0081	29W76	130147-0108
	L17-30		30A/600V/3ø	F4 1"	28W77	130147-0083	29W77	130147-0111
	Non-NEMA Locking CA		50A/125V/250V	F5 1 1/4"	CS63W65	130155-0142	CS63W64	130155-0141
	Non-NEMA Locking		50A/125V/250V	F5 1 1/4"	63W65	130155-0105	63W64	130155-0104
	Non-NEMA Locking CA		50A/250V/3ø	F5 1 1/4"	CS83W65	130155-0161	CS83W64	130155-0160
	Non-NEMA Locking CA		50A/480V/3ø	F5 1 1/4"	CS81W65	130155-0149	CS81W64	130155-0148
4-Pole/4-Wire	Non-NEMA Locking		20A/120V/208V	F4 1"	26W09	130147-0015	27W09	130147-0038
	Non-NEMA Locking		30A/120V/208V	F4 1"	28W09	130147-0071	29W09	130147-0091
4-Pole/5-Wire	L21-20		20A/120V/208V/3øY	F3 3/4"	26W81	130147-0031	27W81	130147-0062
	Non-NEMA Locking		20A/250V 10A/600V	F4 1"	26W10	130147-0017	27W10	130147-0041
	L22-20		20A/277V/480V/3øY	F3 3/4"	26W82	130147-0033	27W82	130147-0065
	L23-20		20A/347V/600V/3øY	F3 3/4"	26W83	130147-0034	27W83	130147-0067
	L21-30		30A/120V/208V/3øY	F4 1"	28W81	130147-0085	29W81	130147-0116
	L22-30		30A/277V/480V/3øY	F4 1"	28W82	130147-0086	29W82	130147-0118
	L23-30		30A/347V/600V/3øY	F4 1"	28W83	130147-0088	29W83	130147-0120

Note: For black colored parts add BLK to the engineering number. Example a yellow 24W34 becomes a black part as a 24W34BLK.

Watertite Extreme Petrochemical

Applications

- Petrochemical Facilities
- Oil and Gas

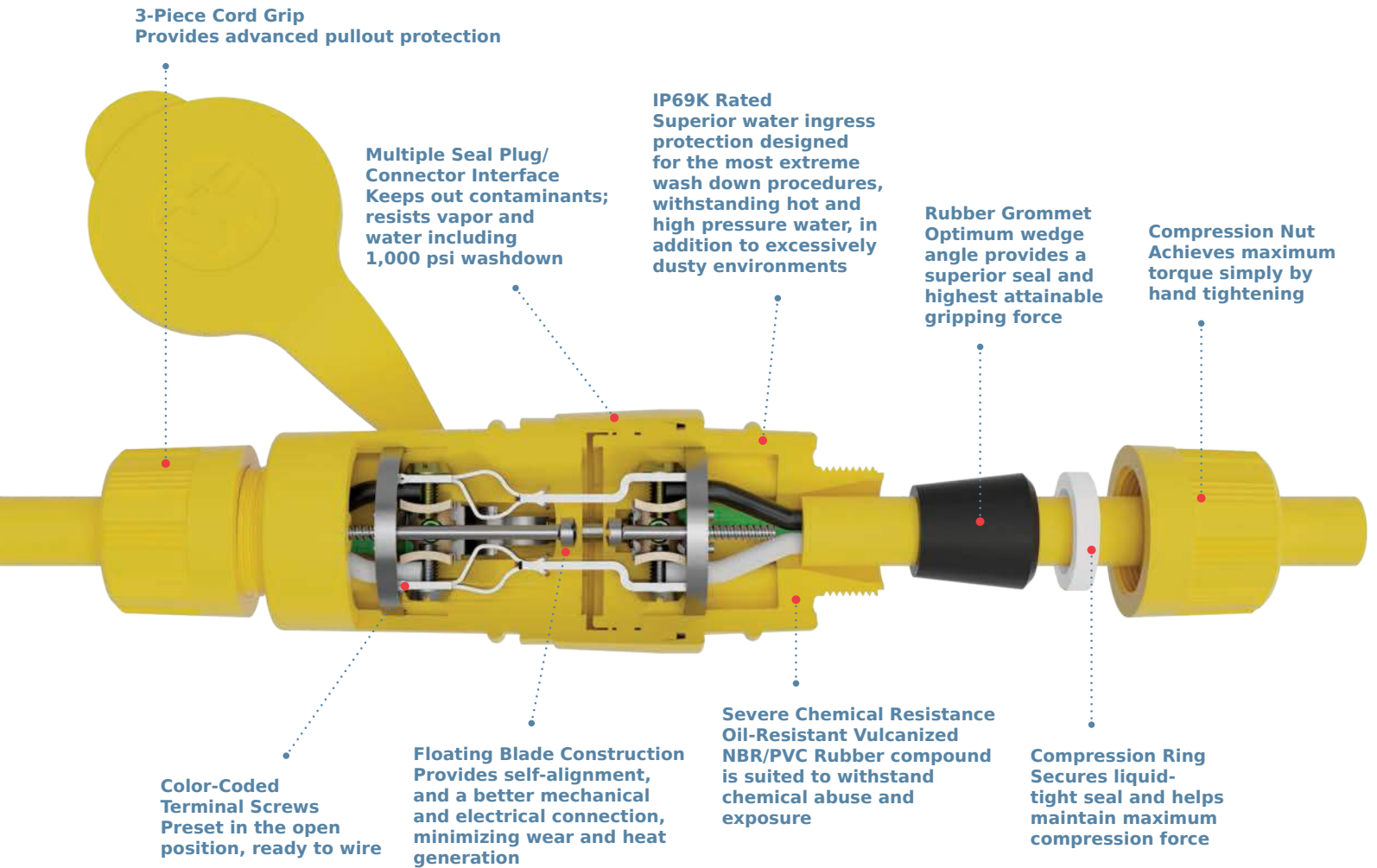
Uptime is crucial in the highly competitive oil and gas industry, and hazardous conditions can put workers' safety at risk and impede production. Engineered from Advanced Vulcanized Rubber, the Woodhead Watertite Extreme Petrochemical Grade wiring solution provides the oil and gas industry with ultimate resistance to impact, heat, weather and petrochemicals such as diesel fuel and other corrosive oils.



Wet Location

Watertite Extreme Petrochemical

PLUGS & CONNECTORS FOR OIL & GAS APPLICATIONS



Specifications

Physical	Plug Blades and Connector Contacts: Nickel-Plated Brass
	Housing: Oil-Resistant Vulcanized NBR/PVC Rubber
Environmental	Face Screws: Stainless Steel
	Face Insert: Nylon
	Wire Saddle Clamp: Brass
	NEMA Rating: Type 1, 2, 3, 4, 4X, 5, 6, 6P and 12
Reference Information	IEC Rating: IP55, 56, 57, 65, 66, 67 and 69K
	Operating Temperature: Maximum continuous 105°C, minimum 40°C (no impact)
Reference Information	Temperature Rise: Maximum 30°C temperature rise at full rated current after 50 cycles of overload at 150% of rated current at a power factor of 75%.
	UL File No.: E10176
	CSA File No.: LR6837
Reference Information	NSF File No.: NSF/ANSI/3-A 14159-1



Wet Location

Watertite Extreme Petrochemical for Oil & Gas Applications

PLUGS AND CONNECTORS

For receptacles and cordsets, see pages 140–143.
For accessories, see pages 126–127.



24W04-P



25W04-P



14W47-P



15W47-P



24W07-P



25W07-P

Poles	NEMA Configuration	Voltage/Current	Cord Grip Body Size	Plug		Connector		
				Engineering No.	Order No.	Engineering No.	Order No.	
2-Pole/ 2-Wire	L1-15		15A/125V	F2 ½"	24W04-P	130146-0205	25W04-P	130146-0212
	L2-20		20A/250V	F2 ½"	26W07-P	130146-0224	27W07-P	130146-0225
2-Pole/ 3-Wire	5-15		15A/125V	F2 ½"	14W47-P	130146-0185	15W47-P	130146-0197
	L5-15		15A/125V	F2 ½"	24W47-P	130146-0209	25W47-P	130146-0219
	6-15		15A/250V	F2 ½"	14W49-P	130146-0189	15W49-P	130146-0203
	L6-15		15A/250V	F2 ½"	24W49-P	130146-0211	25W49-P	130146-0222
	7-15		15A/277V	F2 ½"	14W34-P	130146-0184	15W34-P	130146-0196
	L7-15		15A/277V	F2 ½"	24W34-P	130146-0207	25W34-P	130146-0216
	5-20		20A/125V	F2 ½"	14W33-P	130146-0182	15W33-P	130146-0193
	L5-20		20A/125V	F3 ¾"	26W47-P	130147-0225	27W47-P	130147-0248
	6-20		20A/250V	F2 ½"	14W48-P	130146-0187	15W48-P	130146-0200
	L6-20		20A/250V	F3 ¾"	26W48-P	130147-0227	27W48-P	130147-0251
	L7-20		20A/277V	F3 ¾"	26W49-P	130147-0229	27W49-P	130147-0254
	L5-30		30A/125V	F4 1"	28W47-P	130147-0274	29W47-P	130147-0293
	L6-30		30A/250V	F4 1"	28W48-P	130147-0276	29W48-P	130147-0296
	L7-30		30A/277V	F4 1"	28W49-P	130147-0278	29W49-P	130147-0299
3-Pole/ 3-Wire	Non-NEMA		15A/125V 10A/250V	F2 ½"	14W07-P	130146-0180	15W07-P	130146-0192
	Non-NEMA Locking		15A/125V 10A/250V	F2 ½"	24W07-P	130146-0206	25W07-P	130146-0214
	Non-NEMA Locking		20A/125V/250V	F3 ¾"	26W08-P	130147-0220	27W08-P	130147-0240
	Non-NEMA Locking		20A/250V grounding tab	F3 ¾"	26W08G-P	130147-0221	27W08G-P	130147-0241
	Non-NEMA Locking		30A/125V/250V	F4 1"	28W08-P	130147-0272	29W08-P	130147-0290

Wet Location

Watertite Extreme Petrochemical for Oil & Gas Applications

PLUGS AND CONNECTORS

For receptacles and cordsets, see pages 140–143.
For accessories, see pages 126–127.



26W74-P



27W74-P



26W09-P



27W09-P



26W83-P



27W83-P

Poles	NEMA Configuration	Voltage/Current	Cord Grip Body Size	Plug		Connector	
				Engineering No.	Order No.	Engineering No.	Order No.
3-Pole/ 4-Wire	L14-20	20A/125V/250V	F3 ¾"	26W74-P	130147-0230	27W74-P	130147-0256
	L15-20	20A/250V/3ø	F3 ¾"	26W75-P	130147-0232	27W75-P	130147-0259
	L16-20	20A/480V/3ø	F3 ¾"	26W76-P	130147-0234	27W76-P	130147-0262
	L14-30	30A/125V/250V	F4 1"	28W74-P	130147-0279	29W74-P	130147-0300
	L15-30	30A/250V/3ø	F4 1"	28W75-P	130147-0281	29W75-P	130147-0303
	L16-30	30A/480V/3ø	F4 1"	28W76-P	130147-0283	29W76-P	130147-0306
	L17-30	30A/600V/3ø	F4 1"	28W77-P	130147-0285	29W77-P	130147-0309
4-Pole/ 4-Wire	Non-NEMA Locking	20A/120V/208V	F4 1"	26W09-P	130147-0222	27W09-P	130147-0243
	Non-NEMA Locking	30A/120V/208V	F4 1"	28W09-P	130147-0273	29W09-P	130147-0292
4-Pole/ 5-Wire	L21-20	20A/120V/208V/3øY	F3 ¾"	26W81-P	130147-0236	27W81-P	130147-0265
	Non-NEMA Locking	20A/250V 10A/600V	F4 1"	26W10-P	130147-0224	27W10-P	130147-0246
	L22-20	20A/277V/480V/3øY	F3 ¾"	26W82-P	130147-0238	27W82-P	130147-0268
	L23-20	20A/347V/600V/3øY	F3 ¾"	26W83-P	130147-0239	27W83-P	130147-0270
	L21-30	30A/120V/208V/3øY	F4 1"	28W81-P	130147-0287	29W81-P	130147-0312
	L22-30	30A/277V/480V/3øY	F4 1"	28W82-P	130147-0288	29W82-P	130147-0314
	L23-30	30A/347V/600V/3øY	F4 1"	28W83-P	130147-0289	29W83-P	130147-0316

Wet Location

Watertite Extreme for Food & Beverage, General-Purpose and Oil & Gas Applications

RECEPTACLES



Poles	NEMA Configuration		Voltage/Current	Female				Male			
				Single Flip Lid with Female Receptacle		Duplex Flip Lid with Female Receptacle		Single Flip Lid with Male Receptacle		Connector for Male Receptacle	
				Engineering No.	Order No.	Engineering No.	Order No.	Engineering No.	Order No.	Engineering No.	Order No.
2-Pole/ 2-Wire	L1-15		15A/125V	65W04	130018-0366	—	—	64W04	130146-0139	25W04MB	130146-0091
	L2-20		20A/250V	67W07	130146-0156	67W07DPLX	130146-0157	66W07	130146-0155	27W07MB	130146-0112
2-Pole/ 3-Wire	5-15		15A/125V	60W47	130146-0129	60W47DPLX	130146-0131	59W47	130146-0116	15W47MB	130146-0065
	L5-15		15A/125V	65W47	130146-0149	65W47DPLX	130146-0151	64W47	130146-0142	25W47MB	130146-0103
	6-15		15A/250V	60W49	130146-0137	60W49DPLX	130146-0138	59W49	130146-0118	15W49MB	130146-0076
	L6-15		15A/250V	65W49	130146-0153	65W49DPLX	130146-0154	64W49	130146-0143	25W49MB	130146-0107
	7-15		15A/277V	60W34	130146-0127	60W34DPLX	130146-0128	—	—	—	—
	L7-15		15A/277V	65W34	130146-0147	65W34DPLX	130146-0148	64W34	130146-0141	25W34MB	130146-0097
	5-20		20A/125V	60W33	130146-0123	60W33DPLX	130146-0125	59W33	130146-0115	15W33MB	130146-0056
	L5-20		20A/125V	67W47	130147-0141	—	—	66W47	130147-0127	27W47MB	130147-0047
	6-20		20A/250V	60W48	130146-0133	60W48DPLX	130146-0135	59W48	130146-0117	15W48MB	130146-0072
	L6-20		20A/250V	67W48	130147-0144	—	—	66W48	130147-0128	27W48MB	130147-0050
	7-20		20A/277V	67W49	130147-0145	—	—	66W49	130147-0129	27W49MB	130147-0052
	L5-30		30A/125V	69W47	130147-0168	—	—	68W47	130147-0157	29W47MB	130147-0095
	L6-30		30A/250V	69W48	130147-0169	—	—	68W48	130147-0158	29W48MB	130147-0098
	L7-30		30A/277V	69W49	130147-0170	—	—	68W49	130147-0005	29W49MB	130147-0101
	Non-NEMA Locking CA		50A/480V	67W64	130147-0146	—	—	—	—	—	—
3-Pole/ 3-Wire	Non-NEMA		15A/125V 10A/250V	60W07	130146-0121	60W07DPLX	130146-0122	59W07	130146-0114	—	—
	Non-NEMA Locking		15A/125V 10A/250V	65W07	130146-0145	65W07DPLX	130146-0146	64W07	130146-0140	25W07MB	130146-0094
	Non-NEMA Locking		20A/125V/250V	67W08	130147-0137	—	—	66W08	130147-0124	27W08MB	130147-0037
	Non-NEMA Locking		30A/125V/250V	69W08	130147-0166	—	—	68W08	130147-0155	29W08MB	130147-0090

Wet Location

Watertite Extreme for Food & Beverage, General-Purpose and Oil & Gas Applications

RECEPTACLES

Specifications

Physical	Receptacle Coverplate and Closure Caps: Nylon
	Contacts: Nickel-Plated Brass
Environmental	Face Screws: Stainless Steel
	Face Insert: Nylon
	Wire Saddle Clamp: Brass
	For cord range compatibility see page 150, 157
Reference Information	NEMA Rating: Type 1, 2, 3, 4, 4X, 5, 6, 6P and 12
	IEC Rating: IP55, 56, 57, 65, 66, 67 and 69K*
	Operating Temperature: Maximum continuous 75° C, minimum -40° C (no impact)
Reference Information	Temperature Rise: Maximum 30° C rise at full rated current after 50 cycles of overload at 150% of rated current at power factor of 75%
	UL File No. E68122
	CSA File No.: LR6837
Reference Information	NSF File No.: NSF/ANSI/3-A 14159-1



* Receptacles meet the IEC IP69K standard only when mated.



67W81 66W81 27W81MB



67W74 66W74 27W74MB

Poles	NEMA Configuration	Voltage/ Current	Female		Male				
			Single Flip Lid with Female Receptacle		Single Flip Lid with Male Receptacle		Connector for Male Receptacle		
			Engineering No.	Order No.	Engineering No.	Order No.	Engineering No.	Order No.	
3-Pole/ 4-Wire	L14-20		20A/125V/250V	67W74	130147-0147	66W74	130147-0131	27W74MB	130147-0055
	L15-20		20A/250V/3ø	67W75	130147-0149	66W75	130147-0132	27W75MB	130147-0058
	L16-20		20A/480V/3ø	67W76	130147-0150	66W76	130147-0133	27W76MB	130147-0061
	L14-30		30A/125V/250V	69W74	130147-0173	68W74	130147-0159	29W74MB	130147-0104
	L15-30		30A/250V/3ø	69W75	130147-0174	68W75	130147-0160	29W75MB	130147-0107
	L16-30		30A/480V/3ø	69W76	130147-0175	68W76	130147-0161	29W76MB	130147-0110
	L17-30		30A/600V/3ø	69W77	130147-0176	68W77	130147-0162	29W77MB	130147-0115
	Non-NEMA Locking CA		50A/480V/3ø	64W64	130147-0122	—	—	—	—
4-Pole/ 4-Wire	Non-NEMA Locking		20A/120V/208V	67W09	130147-0139	66W09	130147-0125	27W09MB	130147-0040
4-Pole/ 5-Wire	L21-20		20A/120V/208V/3øY	67W81	130147-0151	66W81	130147-0134	27W81MB	130147-0064
	Non-NEMA Locking		20A/250V 10A/600V	67W10	130147-0140	66W10	130147-0126	27W10MB	130147-0043
	L22-20		20A/227V/480V/3øY	67W82	130147-0153	66W82	130147-0135	27W82MB	130147-0066
	L23-20		20A/347V/600V/3øY	67W83	130147-0154	66W83	130147-0136	27W83MB	130147-0068
	L21-30		30A/120V/208V/3øY	69W81	130147-0177	68W81	130147-0163	29W81MB	130147-0117
	L22-30		30A/277V/480V/3øY	69W82	130147-0178	68W82	130147-0164	29W82MB	130147-0119
	L23-30		30A/347V/600V/3øY	69W83	130147-0179	68W83	130147-0165	29W83MB	130147-0121

Wet Location

Watertite Extreme for Food & Beverage, General-Purpose and Oil & Gas Applications

CORDSETS



Poles	NEMA Configuration	Voltage/Current	Description	Cord Length	Engineering No.	Order No.			
2-Pole/2-Wire	L1-15	15A/125V	Yellow, 16-gauge SOOW cord	15.24m (50.0')	24W04B162	130143-0015			
			Yellow, 14-gauge SOOW cord	7.62m (25.0')	24W04A142	130143-0180			
2-Pole/3-Wire	5-15	15A/125V	Yellow, 16-gauge SOOW cord	30.48m (100.0')	24W04D142	130143-0307			
			Yellow, 14-gauge SOOW cord	7.62m (25.0')	14W47A163	130143-0137			
			Yellow, 16-gauge SOOW cord	15.24m (50.0')	14W47B163	130143-0143			
			Yellow, 14-gauge SOOW cord	30.48m (100.0')	14W47D163	130143-0153			
			Yellow, 12-gauge SOOW cord	1.83m (6.0')	14W47L143	130143-0154			
			Yellow, 14-gauge SOOW cord	7.62m (25.0')	14W47A143	130143-0134			
	L5-15	15A/125V	Yellow, 14-gauge SOOW cord	15.24m (50.0')	14W47B143	130143-0140			
			Yellow, 12-gauge SOOW cord	30.48m (100.0')	14W47D143	130143-0150			
			Yellow, 16-gauge SOOW cord	15.24m (50.0')	14W47B123	130143-0138			
			Yellow, 14-gauge SOOW cord	30.48m (100.0')	14W47D123	130143-0148			
			Yellow, 12-gauge SOOW cord	7.62m (25.0')	24W47A163	130143-0189			
			Yellow, 16-gauge SOOW cord	15.24m (50.0')	24W47B163	130143-0193			
	6-15	15A/250V	Yellow, 14-gauge SOOW cord	30.48m (100.0')	24W47D163	130143-0196			
			Yellow, 12-gauge SOOW cord	7.62m (25.0')	24W47A143	130143-0187			
			Yellow, 14-gauge SOOW cord	15.24m (50.0')	24W47B143	130143-0191			
			Yellow, 12-gauge SOOW cord	30.48m (100.0')	24W47D143	130143-0195			
			Yellow, 14-gauge SOOW cord	15.24m (50.0')	24W47B123	130143-0190			
			Yellow, 12-gauge SOOW cord	7.62m (25.0')	14W49A143	130143-0157			
	L6-15	15A/250V	Yellow, 14-gauge SOOW cord	15.24m (50.0')	14W49B143	130143-0159			
			Yellow, 14-gauge SOOW cord	7.62m (25.0')	24W49A143	130143-0198			
			5-20	20A/125V	Yellow, 16-gauge SOOW cord	7.62m (25.0')	24W34A163	130143-0017	
					Yellow, 14-gauge SOOW cord	7.62m (25.0')	14W33A143	130143-0124	
			L5-20	20A/125V	Yellow, 12-gauge SOOW cord	30.48m (100.0')	14W33D143	130143-0131	
					Yellow, 14-gauge SOOW cord	7.62m (25.0')	14W33A123	130143-0121	
Yellow, 12-gauge SOOW cord	15.24m (50.0')	14W33B123			130143-0125				
Yellow, 14-gauge SOOW cord	30.48m (100.0')	14W33D123			130143-0129				
6-20	20A/250V	Yellow, 12-gauge SOOW cord	7.62m (25.0')	26W47A143	130143-0222				
		Yellow, 14-gauge SOOW cord	15.24m (50.0')	26W47B143	130143-0225				
		Yellow, 12-gauge SOOW cord	30.48m (100.0')	26W47D143	130143-0227				
		Yellow, 14-gauge SOOW cord	7.62m (25.0')	26W47A123	130143-0221				
L5-30	30A/125V	Yellow, 12-gauge SOOW cord	15.24m (50.0')	26W47B123	130143-0223				
		Yellow, 10-gauge SOOW cord	30.48m (100.0')	26W47D123	130143-0226				
		Yellow, 14-gauge SOOW cord	30.48m (100.0')	14W48D143	130143-0156				
		Yellow, 12-gauge SOOW cord	7.62m (25.0')	28W47A123	130143-0262				
L6-30	30A/250V	Yellow, 10-gauge SOOW cord	7.62m (25.0')	28W47A103	130143-0261				
		Yellow, 10-gauge SOOW cord	15.24m (50.0')	28W47B103	130143-0263				
		Yellow, 10-gauge SOOW cord	7.62m (25.0')	28W48A103	130143-0266				
		3-Pole/3-Wire	Non-NEMA	15A/125V, 10A/250V	Yellow, 16-gauge SOOW cord	7.62m (25.0')	14W07A163	130146-0016	
Non-NEMA	20A/125V/250V		Yellow, 14-gauge SOOW cord	7.62m (25.0')	26W08A143	130143-0217			
3-Pole/4-Wire	L14-20	20A/125V/250V	Yellow, 14-gauge SOOW cord	15.24m (50.0')	26W08B143	130143-0218			
			Yellow, 14-gauge SOOW cord	7.62m (25.0')	26W74A144	130143-0237			
			Black, 12-gauge SOOW cord	15.24m (50.0')	26W74B144	130143-0240			
			Yellow, 12-gauge SOOW cord	7.62m (25.0')	26W74A124	130143-0235			
			Yellow, 12-gauge SOOW cord	15.24m (50.0')	26W74B124	130143-0238			
			Yellow, 14-gauge SOOW cord	7.62m (25.0')	26W76A144	130143-0246			
	L16-20	20A/480V/3Ø	Yellow, 12-gauge SOOW cord	7.62m (25.0')	26W76A124	130143-0245			
			Yellow, 12-gauge SOOW cord	15.24m (50.0')	26W76B124	130143-0247			
			Yellow, 14-gauge SOOW cord	7.62m (25.0')	28W74A104	130143-0270			
			Yellow, 12-gauge SOOW cord	15.24m (50.0')	28W74B104	130143-0271			
			Yellow, 10-gauge SOOW cord	30.48m (100.0')	28W74D104	130143-0273			
			Black, 10-gauge SOOW cord	7.62m (25.0')	28W74A104BLK	130143-0310			
	L14-30	30A/125V/250V	Black, 12-gauge SOOW cord	7.62m (25.0')	28W75A124	130143-0275			
			Black, 12-gauge SOOW cord	15.24m (50.0')	28W75B124	130143-0018			
			Yellow, 10-gauge SOOW cord	7.62m (25.0')	28W75A104	130143-0274			
			Yellow, 10-gauge SOOW cord	15.24m (50.0')	28W75B104	130143-0276			
			Yellow, 10-gauge SOOW cord	30.48m (100.0')	28W75D104	130143-0277			
			Yellow, 12-gauge SOOW cord	7.62m (25.0')	28W76A124	130143-0279			
	L15-30	30A/250V/3Ø	Yellow, 10-gauge SOOW cord	7.62m (25.0')	28W76A104	130143-0278			
			Yellow, 10-gauge SOOW cord	7.62m (25.0')	28W77A104	130143-0280			
			4-Pole/5-Wire	L21-20	20A/120V/ 208V/3ØY	Yellow, 14-gauge SOOW cord	7.62m (25.0')	26W81A145	130143-0248
						Yellow, 12-gauge SOOW cord	30.48m (100.0')	26W81D125	130143-0308

Wet Location

Watertite Extreme for Food & Beverage, General-Purpose and Oil & Gas Applications

Specifications

Physical	Receptacle Coverplate and Closure Caps: Nylon
	Contacts: Nickel-Plated Brass
Environmental	Face Screws: Stainless Steel
	Face Insert: Nylon
	Wire Saddle Clamp: Brass
Reference Information	Operating Temperature: Maximum continuous 75° C, minimum -40° C (no impact)
	Temperature Rise: Maximum 30° C rise at full rated current after 50 cycles of overload at 150% of rated current at power factor of 75%
	Rainproof
	UL File No. E68122
	CSA File No.: LR6837
	NSF File No.: NSF/ANSI/3-A 14159-1



Cordsets with Inline GFCI						
Poles	NEMA Configuration	Voltage/Current	Description	Cord Length	Engineering No.	Order No.
2-Pole/3-Wire	5-15	15A/125V	Yellow, 14-gauge SJOW cord with inline GFCI	7.62m (25.0')	14W47A143IN	130143-0135
				15.24m (50.0')	14W47B143IN	130143-0141
				30.48m (100.0')	14W47D143IN	130143-0151
	L5-15	15A/125V	Yellow, 12-gauge SJOW cord with inline GFCI	15.24m (50.0')	14W47B123IN	130143-0139
				30.48m (100.0')	14W47D123IN	130143-0149
				15.24m (50.0')	24W47B143IN	130143-0192
5-20	20A/125V	Yellow, 12-gauge SJOW cord with Inline GFCI	15.24m (50.0')	14W33B123IN	130143-0126	
L5-20	20A/125V	Yellow, 12-gauge SJOW cord with inline GFCI	0.3m (1.0')	26W47E123IN	130143-0228	
			15.24m (50.0')	26W47B123IN	130143-0224	



Molded Y and W Cordsets									
Poles	NEMA Configuration	Voltage/Current	Description	Cord Length	Y Cordset		W Cordset		
					Engineering No.	Order No.	Engineering No.	Order No.	
2-Pole/3-Wire	5-15	15A/125V	Yellow, 12 gauge SOW cord	0.91m (3.0')	14W47-Y	130154-0048	14W47-W	130154-0046	
	L5-15	15A/125V	Yellow, 12-gauge SOOW cord	0.91m (3.0')	24W47-Y	130154-0060	24W47-W	130154-0058	
	5-20	20A/125V	Yellow, 12-gauge SOOW cord	0.91m (3.0')	14W33-Y	130154-0044	14W33-W	130154-0043	
	L5-20	20A/125V	Yellow, 12-gauge SOOW cord	0.91m (3.0')	26W47-Y	130154-0070	26W47-W	130154-0068	
	6-20	20A/250V	Yellow, 12-gauge SOOW cord	0.91m (3.0')	14W48-Y	130154-0052	14W48-W	130154-0050	



Molded Y and W Cordsets with Inline GFCI									
Poles	NEMA Configuration	Voltage/Current	Description	Cord Length	Y Cordset		W Cordset		
					Engineering No.	Order No.	Engineering No.	Order No.	
2-Pole/3-Wire	5-15	15A/125V	Yellow, 12 gauge SJOW cord with inline GFCI	0.91m (3.0')	14W47-Y-IN	130154-0049	14W47-W-IN	130154-0047	
	L5-15	15A/125V	Yellow, 12-gauge SJOW cord with inline GFCI	0.91m (3.0')	24W47-Y-IN	130154-0061	24W47-W-IN	130154-0059	
	L5-20	20A/125V	Yellow, 12-gauge SJOW cord with inline GFCI	0.91m (3.0')	26W47-Y-IN	130154-0071	26W47-W-IN	130154-0069	

Wet Location

Watertite Extreme Accessories

CLOSURE COVERS

- Replacement part
- Easy to install
- Available in sizes F2 to F5
- Watertite Extreme rated



Accessories for F2 Body Size				
Description	Plug		Connector	
	Engineering No.	Order No.	Engineering No.	Order No.
Closure cover, F2, yellow	14W	130155-0020	—	—
Closure cover, F2, black	14WBLK	130155-0021	—	—
Closure cover, F2, yellow	—	—	50W50*	130155-0077
Closure cover, F2, black	—	—	50W50BLK*	130155-0078

No UL or CSA

Accessories for F3 Body Size				
Description	Plug		Connector	
	Engineering No.	Order No.	Engineering No.	Order No.
Closure cover, F3, yellow	26W	130155-0028	—	—
Closure cover, F3, black	26WBLK	130155-0029	—	—
Closure cover, F3, yellow	—	—	50W52	130155-0080
Closure cover, F3, black	—	—	50W52BLK	130155-0081

Accessories for F4 Body Size				
Description	Plug		Connector	
	Engineering No.	Order No.	Engineering No.	Order No.
Closure cover, F4, yellow	28W	130155-0030	—	—
Closure cover, F4, black	28WBLK	130155-0031	—	—
Closure cover, F4, yellow	—	—	50W54	130155-0082
Closure cover, F4, black	—	—	50W54BLK	130155-0083

Accessories for F5 Body Size				
Description	Plug		Connector	
	Engineering No.	Order No.	Engineering No.	Order No.
Closure cover, F5, yellow	30W	130155-0032	—	—
Closure cover, F5, yellow	—	—	50W56	130155-0084

Wet Location

Watertite Extreme Accessories

GROMMETS

Listed below and indicated by • are the cord bushings (grommets) normally supplied with Watertite Extreme devices. Other diameters are available if larger or smaller diameter grommets are required.



½" Cord Grip — F2 Body Size																
Cord Diameter	Color	14W04/ 15W04	14W07/ 15W07	14W19	14W33/ 15W33	14W34/ 15W34	14W47/ 15W47	14W48/ 15W48	14W49/ 15W49	24W07/ 25W07	24W34/ 25W34	24W47/ 25W47	24W49/ 25W49	26W07/ 27W07	Engineering No.	Order No.
0.062-0.125"	Black	—	—	—	—	—	—	—	—	—	—	—	—	—	00-4978	130180-0405
0.125-0.187"	Yellow	—	—	—	—	—	—	—	—	—	—	—	—	—	00-4970	130180-0401
0.187-0.250"	Orange	—	—	—	—	—	—	—	—	—	—	—	—	—	00-4971	130180-0402
0.250-0.312"	Black	•	•	•	•	•	•	•	•	•	•	•	•	•	00-4972	130180-0403
0.312-0.375"	Gray	•	•	•	•	•	•	•	•	•	•	•	•	•	00-5263	130180-0286
0.375-0.437"	Green	•	•	•	•	•	•	•	•	•	•	•	•	•	00-5264	130180-0287
0.437-0.500"	Orange	—	—	—	—	—	—	—	—	—	—	—	—	—	00-4975	130180-0404
0.500-0.562"	Black	•	•	•	•	•	•	•	•	•	•	•	•	•	00-5266	130180-0288
0.562-0.625"	Gray	•	•	•	•	•	•	•	•	•	•	•	•	•	00-5267	130180-0289

¾" Cord Grip — F3 Body Size													
Cord Diameter	Color	26W08/ 27W08	26W47/ 27W47	26W48/ 27W48	26W49/ 27W49	26W74/ 27W74	26W75/ 27W75	26W76/ 27W76	26W81/ 27W81	26W82/ 27W82	26W83/ 27W83	Engineering No.	Order No.
0.187-0.250"	Orange	—	—	—	—	—	—	—	—	—	—	00-4985	130180-0407
0.250-0.375"	Gray	—	—	—	—	—	—	—	—	—	—	00-4986	130180-0408
0.375-0.437"	Green	•	•	•	•	•	•	•	—	—	—	00-4987	130180-0409
0.437-0.562"	Black	•	•	•	•	•	•	•	—	—	—	00-4980	130180-0278
0.500-0.625"	Gray	•	•	•	•	—	—	—	—	—	—	00-4981	130180-0279
0.562-0.687"	Green	•	•	•	•	•	•	•	•	•	•	00-4982	130180-0280
0.625-0.750"	Orange	—	—	—	—	•	•	•	•	•	•	00-4983	130180-0281
0.687-0.812"	Yellow	—	—	—	—	—	—	—	•	•	•	00-4984	130180-0406

1" Cord Grip — F4 Body Size																	
Cord Diameter	Color	26W09/ 27W09	26W10/ 27W10	28W08/ 29W08	28W09/ 29W09	28W47/ 29W47	28W48/ 29W48	28W49/ 29W49	28W74/ 29W74	28W75/ 29W75	28W76/ 29W76	28W77/ 29W77	28W81/ 29W81	28W82/ 29W82	28W83/ 29W83	Engineering No.	Order No.
0.437-0.562"	Black	•	—	•	•	•	•	•	•	•	•	•	—	—	—	00-4990	130180-0410
0.500-0.625"	Gray	—	—	—	—	—	—	—	—	—	—	—	—	—	—	00-4991	130180-0411
0.562-0.687"	Green	•	—	•	•	•	•	•	•	•	•	•	—	—	—	00-4992	130180-0282
0.625-0.750"	Orange	•	•	—	•	—	—	•	•	•	•	•	•	•	•	00-4993	130180-0283
0.687-0.812"	Yellow	—	•	—	—	—	—	—	—	—	—	—	•	•	•	00-4994	130180-0412
0.750-0.875"	Black	—	—	•	—	•	•	•	—	—	—	—	—	—	—	00-4995	130180-0413
0.812-0.937"	Gray	—	—	—	—	—	—	—	—	—	—	—	—	—	—	00-4996	130180-0284
0.875-1.00"	Green	•	—	•	•	•	•	•	•	•	•	•	—	—	—	00-4997	130180-0414
1.00-1.10"	Black	—	—	—	—	—	—	—	—	—	—	—	—	—	—	00-4998	130180-0285

1¼" Cord Grip — F5 Body Size										
Cord Diameter	Color	CS63W61/63W61 CS63W60/63W60	CS82W65 CS82W64	CS84W65 CS84W64	CS63W65/63W65 CS63W64/63W64	CS83W65 CS83W64	37W65 37W64	CS81W65 CS81W64	Engineering No.	Order No.
0.750-0.875"	Orange	—	—	—	—	—	—	—	00-5070	130180-0308
0.875-1.000"	Yellow	—	—	—	—	—	—	—	00-5071	130180-0309
1.00-1.125"	Black	•	•	•	•	•	•	•	00-5072	130180-0310
1.125-1.25"	Green	•	•	•	•	•	•	•	00-5073	130180-0311
1.25-1.375"	Gray	•	•	•	•	•	•	•	00-5074	130180-0312

Specialty Grommets (UF Cable)					
Body Size	Oval Hole	Color	Engineering No.	Order No.	
F2	5.54x10.69mm	Black	00-4940	130180-0392	
F2	5.54x16.26mm		00-4941	130180-0393	
F3	5.54x10.69mm		00-4950	130180-0395	
F3	5.54x16.26mm		00-4951	130180-0396	

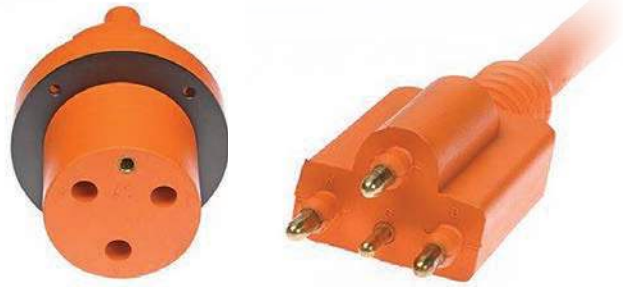
Wet Location

Pin & Sleeve

3-POLE/4-WIRE

Features and Benefits

- Integrally molded to cable — one continuous insulation and protection jacket with no seams
- Solid brass contacts provide maximum conductivity, minimum resistance and long term durability
- Spring-loaded brass sockets ensure constant contact, wipe connection surfaces clean on every insertion and minimize heat buildup
- Safe connection and disconnection with mate-first, break-last ground contact
- Rated for high-power applications
- Closure cap included with connector



Specifications

Electrical	Voltage: 600V AC
	Current: 30A or 60A
Physical	Ground Contact: Make First, Break Last
	Material: Neoprene (CPE)
	Plug Pins and Connector Sockets: Solid Brass
Environmental	Duty Type: General Industrial Duty



DW4 Series							
Description	Current	Cable Length	Cable Outside Diameter	Plug		Connector, With Closure Cap	
				Engineering No.	Order No.	Engineering No.	Order No.
8 AWG, 4-conductor SOOW cable	30A	1.83m (6')	18.03mm (.710")	DW4M20	130150-0320	—	—
				—	—	DW4F20	130150-0325



DW730 Series, Fused Plug									
Description	Current	Cable Length	Cable Outside Diameter	Plug		Connector, With Closure Cap		Receptacle	
				Engineering No.	Order No.	Engineering No.	Order No.	Engineering No.	Order No.
8 AWG, 4-conductor SOOW cable	30A	1.98m (6.5')	18.03mm (.710")	DW730-30M	130155-0182	—	—	—	—
				—	—	DW730-30F	130155-0190	—	—
				—	—	—	—	DW730-30R	130155-0183



DW760 Series, Fused Plug									
Description	Current	Cable Length	Cable Outside Diameter	Plug		Connector, With Closure Cap		Receptacle	
				Engineering No.	Order No.	Engineering No.	Order No.	Engineering No.	Order No.
6 AWG, 4-conductor SOOW cable	60A	1.83m (6')	23.62mm (.930")	DW760-60M	130155-0185	DW760-60F	130155-0184	—	—
		11.58m (38')		DW760-60M38	130155-0192	—	—	—	—
		22.86m (75')		DW760-60M75	130155-0186	—	—	—	—
		—	—	—	—	—	—	DW760-60R	130155-0187

Wet Location

Pin & Sleeve

INDUSTRIAL DUTY PIN AND SLEEVE DEVICES, 20A TO 100A

Features and Benefits

- IP67 rated
- Deadfront construction
- Self-adjusting split contact sleeves — nickel-plated steel spring compensates for wear and maintains constant pressure along contact surface to ensure electrical continuity and grounding
- Latching mechanism prevents accidental disengagement
- Keyway for fast, accurate alignment
- Internal strain relief with swing-away feature
- External strain relief reduces bending arc of cable
- Large, identified terminals accept conductors one or two sizes larger or smaller than normal
- “Onion ring” neoprene bushing in cable grip accommodates wide range of cable sizes

Applications

- Temporary power systems
- Power disconnect for portable processing equipment
- Machinery intended for export and users of foreign-built equipment

Specifications

Physical	Pins: Brass
	Housing and Contact Carrier: Type G nylon
Environmental	IEC Rating: IP67
	IEC Standards*: 309-1 and 309-2

* IEC 309-1 and 309-2 are a worldwide pin and sleeve standard established by the International Electrotechnical Commission. It meets requirements of Section 410-56(g) of the National Electrical Code.



20A Watertite Devices								
Pole/Wire	Color	Voltage	Receptacle		Plug		Connector	
			Engineering No.	Order No.	Engineering No.	Order No.	Engineering No.	Order No.
2-Pole/3-Wire	Yellow	125	320R4W	130150-0057	320P4W	130150-0050	320C4W	130150-0037
2-Pole/3-Wire	Blue	250	320R6W	130150-0059	320P6W	130150-0053	320C6W	130150-0040
3-Pole/4-Wire	Orange	125/250	420R12W	130150-0144	420P12W	130150-0136	420C12W	130198-0118
3-Pole/4-Wire	Blue	3ø250	420R9W	130150-0150	420P9W	130150-0142	420C9W	130150-0129
3-Pole/4-Wire	Red	3ø480	420R7W	130150-0148	420P7W	130150-0140	420C7W	130150-0128
3-Pole/4-Wire	Black	3ø600	420R5W	130150-0146	420P5W	130150-0138	420C5W	130150-0126

30A Watertite Devices								
Pole/Wire	Color	Voltage	Receptacle		Plug		Connector	
			Engineering No.	Order No.	Engineering No.	Order No.	Engineering No.	Order No.
3-Pole/4-Wire	Blue	3ø250	430R9W	130150-0179	430P9W	130150-0173	430C9W	130150-0160
3-Pole/4-Wire	Red	3ø480	430R7W	130150-0177	430P7W	130150-0171	430C7W	130150-0158
3-Pole/4-Wire	Black	3ø600	430R5W	130150-0175	430P5W	130150-0169	430C5W	130150-0156

60A Watertite Devices								
Pole/Wire	Color	Voltage	Receptacle		Plug		Connector	
			Engineering No.	Order No.	Engineering No.	Order No.	Engineering No.	Order No.
3-Pole/4-Wire	Orange	125/250	460R12W	130150-0207	460P12W	130150-0199	460C12W	130150-0186
3-Pole/4-Wire	Blue	3ø250	460R9W	130150-0213	460P9W	130150-0205	460C9W	130150-0192
3-Pole/4-Wire	Red	3ø480	460R7W	130150-0211	460P7W	130150-0203	460C7W	130150-0190
3-Pole/4-Wire	Black	3ø600	460R5W	130150-0209	460P5W	130150-0201	460C5W	130150-0188

100A Watertite Devices								
Pole/Wire	Color	Voltage	Receptacle		Plug		Connector	
			Engineering No.	Order No.	Engineering No.	Order No.	Engineering No.	Order No.
3-Pole/4-Wire	Orange	125/250	4100R12W	130150-0116	4100P12W	130150-0112	4100C12W	130150-0105
3-Pole/4-Wire	Blue	3ø250	4100R9W	130150-0119	4100P9W	130150-0115	4100C9W	130150-0108
3-Pole/4-Wire	Red	3ø480	4100R7W	130150-0118	4100P7W	130150-0114	4100C7W	130150-0107
3-Pole/4-Wire	Black	3ø600	4100R5W	130150-0117	4100P5W	130150-0113	4100C5W	130150-0106

Note: Angled inlet and mechanical interlock also available for 2-Pole/3-Wire, 4-Pole/5-Wire. See Technical Section at the end of the Wiring Device Section for further IEC 309 information.

Heavy-Duty Industrial

Applications

- Aircraft Construction/Airports
- Construction Site
- Facility Maintenance
- Petrochemical
- Pulp and Paper Manufacturing

Woodhead tough nylon Safeway and rubberized Super-Safeway wiring devices are designed for use in rugged industrial environments

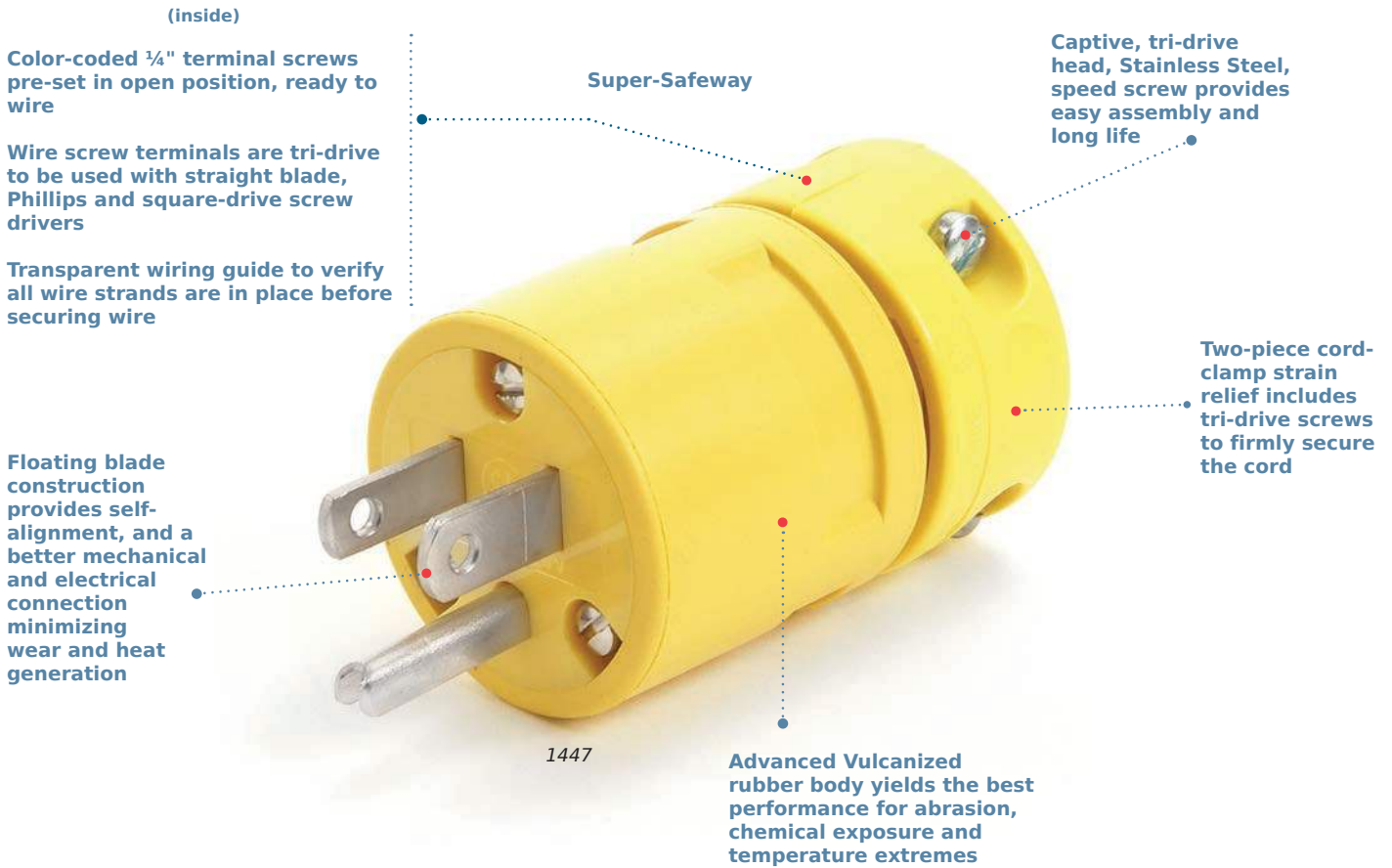
Woodhead Super-Safeway products are heavy-duty industrial-wiring devices designed for abusive conditions and dependable performance for applications that demand the unmatched durability that rubber exclusively delivers. These rubberized industrial devices are the only wiring devices made of Advanced Vulcanized rubber, a rubber construction that yields ultimate performance within a wide temperature range, around many oils and chemicals and abrasive conditions.



Heavy-Duty Industrial

Super-Safeway and Safeway

SUPER-SAFEWAY AND SAFEWAY PLUGS AND CONNECTORS



Specifications

Physical	Plug Blades and Connector Contacts: Nickel-Plated Brass
	Super-Safeway Outer Housing: Advanced Vulcanized rubber
	Safeway Outer Housing: Nylon
	Face Screws: Stainless Steel
	Face Insert: Nylon
Environmental	Wire Saddle Clamp: Brass
	Cord Clamp Screws: Steel, Zinc-plated
	Plug/Connector Range: .335 to .640"
	Operating Temperature: Maximum continuous 75° C, minimum -40° C (no impact)
	Temperature Rise: Maximum 30° C temperature rise at full rated current after 50 cycles of overload at 150% of rated current at a power factor of 75%
Reference Information	UL File No.: E10176 CSA File No.: LR6837



Heavy-Duty Industrial

Wiring Device Selection Guide

SUPER-SAFEWAY AND SAFEWAY PLUGS AND CONNECTORS



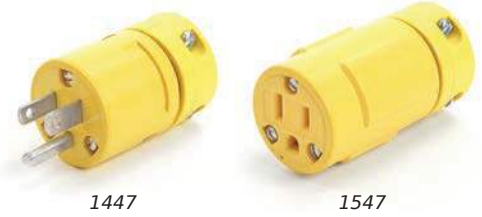
Poles	NEMA Configuration		Voltage/ Current	Super-Safeway						Safeway						
				Plug			Connector			Plug			Connector			
				Standard	Lighted	Hospital-Duty	Standard	Lighted	Hospital-Duty	Standard	Lighted	Hospital-Duty	Standard	Lighted	Hospital-Duty	
2-Pole/ 2-Wire	1-15		15A/125V	•			•			•			•			
	L1-15		15A/125V	•			•			•			•			
	L2-20		20A/250V	•			•			•			•			
2-Pole/ 3-Wire	5-15		15A/125V	•	•	•	•	•	•	•	•	•	•	•	•	
	L5-15		15A/125V	•	•	•	•	•	•	•			•			
	6-15		15A/250V	•			•			•			•			
	L6-15		15A/250V	•			•			•			•			
	7-15		15A/277V	•			•			•			•			
	L7-15		15A/277V	•			•			•			•			
	5-20		20A/125V	•	•		•	•		•	•		•	•	•	
	L5-20		20A/125V	•			•			•			•			
	6-20		20A/250V	•			•			•			•			
	L6-20		20A/250V	•			•			•			•			
	L7-20		20A/277V	•			•			•			•			
	L5-30		30A/125V	•			•			•			•			
	L6-30		30A/250V	•			•			•			•			
	L7-30		30A/277V	•			•			•			•			
	6-50		50A/250V	•			•			•			•			
3-Pole/ 3-Wire	Non-NEMA		15A/125V 10A/250V	•			•									
	Non-NEMA Locking		15A/125V 10A/250V	•			•			•			•			
	Non-NEMA Locking		20A/125V/250V	•			•			•			•			
	Non-NEMA Locking		20A/250V grounding tab	•			•									
	Non-NEMA Locking		30A/125V/250V	•			•									
3-Pole/ 4-Wire	L14-20		20A/125V/250V	•			•			•			•			
	L15-20		20A/250V/3ø	•			•			•			•			
	L16-20		20A/480V/3ø	•			•			•			•			
	L14-30		30A/125V/250V	•			•			•			•			
	L15-30		30A/250V/3ø	•			•			•			•			
	L16-30		30A/480V/3ø	•			•			•			•			
	L17-30		30A/600V/3ø	•			•			•			•			
	Non-NEMA Locking CA		50A/125V/250V							•				•		
	Non-NEMA Locking CA		50A/250V/3ø							•				•		
	Non-NEMA Locking		50A/600V AC/250V DC							•				•		
	Non-NEMA Locking CA		50A/480V/3ø							•				•		
4-Pole/ 4-Wire	Non-NEMA Locking		20A/120V/208V	•			•									
	Non-NEMA Locking		30A/120V/208V	•			•									
4-Pole/ 5-Wire	L21-20		20A/120V/208V/3øY	•			•									
	L22-20		20A/227V/480V/3øY	•			•									
	L23-20		20A/347V/600V/3øY	•			•									
	L21-30		30A/120V/208V/3øY	•			•									
	L22-30		30A/277V/480V/3øY	•			•									
L23-30		30A/347V/600V/3øY	•			•										

Heavy-Duty Industrial

Super-Safeway Industrial Rubber

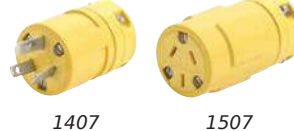
STRAIGHT BLADE PLUGS AND CONNECTORS

For receptacles and cordsets, see pages 140–143.
For accessories, see pages 126–127.



Poles	NEMA Configuration	Voltage/ Current	Description	Super-Safeway			
				Plug		Connector	
				Engineering No.	Order No.	Engineering No.	Order No.
2-Pole/ 2-Wire	1-15	15A/125V	Yellow rubber	1404	130141-0006	1504	130141-0023
			Yellow rubber, polarized	1419	130141-0008	—	—
2-Pole/ 3-Wire	5-15	15A/125V	Yellow rubber	1447	130141-0015	1547	130141-0031
			Black rubber	1447BLK	130141-0016	1547BLK	130141-0032
			Yellow rubber, ground continuity monitor, lighted	1447EZ*	130141-0017	1547GCM*	130141-0033
			Yellow rubber	1449	130141-0022	1549	130141-0038
	6-15	15A/250V	Yellow rubber	1434	130141-0014	1534	130141-0030
	7-15	15A/277V	Yellow rubber	1433	130141-0010	1533	130141-0025
	5-20	20A/125V	Black rubber	1433BLK	130141-0011	—	—
			Yellow rubber, ground continuity monitor, lighted	1433EZ*	130141-0012	1533GCM*	130141-0027
			Yellow rubber	1448	130141-0020	1548	130141-0036
	6-20	20A/250V	Yellow rubber	8664	130142-0051	8665	130142-0052
6-50	50A/250V	Yellow rubber	1407	130141-0007	1507	130141-0024	
3-Pole/ 3-Wire	Non-NEMA	15A/125V 10A/250V	Yellow rubber	1407	130141-0007	1507	130141-0024

* Ground Continuity Monitor lights indicating a good ground is present



Heavy-Duty Industrial

Safeway Industrial Nylon



5266

5269

Poles	NEMA Configuration		Voltage/ Current	Description	Safeway			
					Plug		Connector	
					Engineering No.	Order No.	Engineering No.	Order No.
2-Pole/ 2-Wire	1-15		15A/125V	Black and white	—	—	5169	130144-0035
				Black and white, polarized	5176	130144-0008	—	—
2-Pole/ 3-Wire	5-15		15A/125V	Black and white	5266	130144-0036	5269	130144-0044
				Yellow and white	5266YL	130144-0043	5269YL	130144-0050
				Yellow, right angle	14R47	130144-0016	—	—
				Yellow, individually fused	14F47*	130144-0014	—	—
				Hospital duty, black	85266	130144-0078	85269	130144-0080
				Hospital duty, yellow	85266YL	130144-0079	85269YL	130144-0081
				Hospital duty, transparent	85447	130144-0087	85547	130144-0089
				Hospital duty, transparent, lighted	85447L	130144-0088	5269L	130144-0048
				6-15		15A/250V	Black and white	5666
	7-15		15A/277V	Black and white	5766	130144-0069	5769	130144-0071
	5-20		20A/125V	Black and white	5366	130144-0053	5369	130144-0057
				Hospital duty, black	85366	130144-0082	85369	130144-0084
	6-20		20A/250V	Black and white	5466	130144-0061	5469	130144-0063

* UL File No. 52190, not CSA. Device accepts ceramic fuse tube type ABC ¼" x 1¼" not supplied.



5166

5169



5266YL

5269YL



14F47*



85269



85447L

5269L



5666

5669



5766

5769



85366

85369



5466

5469

Heavy-Duty Industrial

Super-Safeway Industrial Rubber

LOCKING BLADE PLUGS AND CONNECTORS

For receptacles and cordsets, see pages 140–143.
For accessories, see pages 126–127.



Poles	NEMA Configuration		Voltage/Current	Description	Super-Safeway			
					Plug		Connector	
					Engineering No.	Order No.	Engineering No.	Order No.
2-Pole/ 2-Wire	L1-15		15A/125V	Yellow rubber	2404	130141-0043	2504	130141-0052
	L2-20		20A/250V	Yellow rubber	2607	130141-0061	2707	130141-0065
2-Pole/ 3-Wire	L5-15		15A/125V	Yellow rubber	2447	130141-0047	2547	130141-0056
				Yellow rubber, ground continuity monitor, lighted	2447EZ	130141-0048	2547GCM	130141-0057
	L6-15		15A/250V	Yellow rubber	2449	130141-0051	2549	130141-0060
	L7-15		15A/277V	Yellow rubber	2434	130141-0045	2534	130141-0054
	L5-20		20A/125V	Yellow rubber	2647	130141-0062	2747	130142-0021
	L6-20		20A/250V	Yellow rubber	2648	130141-0063	2748	130141-0066
	L7-20		20A/277V	Yellow rubber	2649	130141-0064	2749	130142-0023
	L5-30		30A/125V	Yellow rubber	2847	130142-0033	2947	130141-0067
	L6-30		30A/250V	Yellow rubber	2848	130142-0034	2948	130141-0068
3-Pole/ 3-Wire	Non-NEMA Locking		15A/125V 10A/250V	Yellow rubber	2407	130141-0044	2507	130141-0053
	Non-NEMA Locking		20A/125V/250V	Yellow rubber	2608	130142-0002	2708	130142-0017
	Non-NEMA Locking		20A/250V grounding tab	Yellow rubber with grounding tab	2608G	130142-0004	2708G	130142-0018
	Non-NEMA Locking		30A/125V/250V	Yellow rubber	2808	130142-0031	2908	130145-0066
3-Pole/ 4-Wire	L14-20		20A/125V/250V	Yellow rubber	2674	130142-0009	2774	130142-0024
	L15-20		20A/250V/3ø	Yellow rubber	2675	130142-0010	2775	130142-0025
	L16-20		20A/480V/3ø	Yellow rubber	2676	130142-0012	2776	130142-0026
	L14-30		30A/125V/250V	Yellow rubber	2874	130142-0036	2974	130142-0043
	L15-30		30A/250V/3ø	Yellow rubber	2875	130142-0037	2975	130142-0044
	L16-30		30A/480V/3ø	Yellow rubber	2876	130142-0038	2976	130142-0045
4-Pole/ 4-Wire	Non-NEMA Locking		20A/120V/208V	Yellow rubber	2609	130142-0006	2709	130142-0019
	Non-NEMA Locking		30A/120V/208V	Yellow rubber	2809	130142-0032	2909	130145-0067
4-Pole/ 5-Wire	L21-20		20A/120V/208V/3øY	Yellow rubber	2681	130142-0014	2781	130142-0028
	L22-20		20A/227V/480V/3øY	Yellow rubber	2682	130142-0015	2782	130142-0029
	L23-20		20A/347V/600V/3øY	Yellow rubber	2683	130142-0016	2783	130142-0030
	L21-30		30A/120V/208V/3øY	Yellow rubber	2881	130142-0040	2981	130142-0047
	L22-30		30A/277V/480V/3øY	Yellow rubber	2882	130142-0041	2982	130142-0048
	L23-30		30A/347V/600V/3øY	Yellow rubber	2883	130142-0042	2983	130142-0049

* Ground Continuity Monitor lights indicating a good ground is present



Heavy-Duty Industrial

Safeway Industrial Nylon



4720



4729

Poles	NEMA Configuration		Voltage/Current	Description	Safeway			
					Plug		Connector	
					Engineering No.	Order No.	Engineering No.	Order No.
2-Pole/ 2-Wire	L1-15		15A/125V	Black and White	24T04	130144-0017	25T04	130144-0019
	L2-20		20A/250V	Black and White	26T07	130144-0021	27T07	130144-0022
2-Pole/ 3-Wire	L5-15		15A/125V	Black and White	4720	130144-0023	4729	130144-0025
				Yellow and white	4720YL	130144-0024	4729YL	130144-0026
	L7-15		15A/277V	Black and White	4770	130144-0031	4779	130144-0033
	L5-20		20A/125V	Black and White	26T47	130145-0008	27T47	130145-0030
				Yellow and white	26T47YL	130145-0010	27T47YL	130145-0031
	L6-20		20A/250V	Black and white	26T48	130145-0011	27T48	130145-0032
				Yellow and white	26T48YL	130145-0012	27T48YL	130145-0033
	L7-20		20A/277V	Black and white	26T49	130145-0013	27T49	130145-0034
L5-30		30A/125V	Black and white	28T47	130145-0048	29T47	130145-0071	
L6-30		30A/250V	Black and white	28T48	130145-0050	29T48	130145-0072	
3-Pole/ 3-Wire	Non-NEMA Locking		15A/125V 10A/250V	Black and white	4730	130144-0027	4739	130144-0029
	Non-NEMA Locking		20A/125V/250V	Black and white	26T08	130145-0002	27T08	130145-0025
3-Pole/ 4-Wire	L14-20		20A/125V/250V	Black and white	26T74	130145-0015	27T74	130145-0035
	L15-20		20A/250V/3ø	Black and white	26T75	130145-0017	27T75	130145-0037
	L16-20		20A/480V/3ø	Black and white	26T76	130145-0019	27T76	130145-0039
	L14-30		30A/125V/250V	Black and white	28T74	130145-0052	29T74	130145-0076
	L15-30		30A/250V/3ø	Black and white	28T75	130145-0054	29T75	130145-0078
	L16-30		30A/480V/3ø	Black and white	28T76	130145-0056	29T76	130145-0080
	L17-30		30A/600V/3ø	Black and white	28T77	130145-0058	29T77	130145-0082
	Non-NEMA Locking CA		50A/125V/250V	Yellow	CS6365N	130155-0134	CS6364N	130155-0133
	Non-NEMA Locking CA		50A/250V/3ø	Yellow	CS8365N	130155-0157	CS8364N	130155-0156
	Non-NEMA Locking CA		50A/480V/3ø	Yellow	CS8165N	130155-0145	CS8164N	130155-0144
	Non-NEMA Locking		50A/600V AC/250V DC	Yellow, grounding	7765N	130155-0123	7764N	130155-0122
				Yellow	3765N	130155-0042	3764N	130155-0041



24T04



25T04



4720YL



4729YL



4770



4779



26T47YL



27T47YL



26T48YL



27T48YL



28T48



29T48



4730



4739



26T08



27T08



26T74



27T74



28T74



29T74



CS6365N



CS6364N



7765N



7764N

Heavy-Duty Industrial

Safeway Industrial Nylon

RECEPTACLES

For use with both Super-Safeway and Safeway plugs and connectors.

Specifications

Physical	Receptacle Housing: Nylon
	Contacts: Nickel-Plated Brass
	Face Screws: Stainless Steel
Environmental	Wire Saddle Clamp: Brass
	20A Single Receptacle Face Diameter 4.0cm/1.56"
	30A Single Receptacle Face Diameter 4.1cm/1.63"
Reference Information	Operating Temperature: Maximum continuous 75° C, minimum -40° C (no impact)
	Temperature Rise: Maximum 30° C rise at full rated current after 50 cycles of overload at 150% of rated current at a power factor of 75%
	UL File No.: E46237 (except for 5362DWR) CSA File No.: LR6837



Safeway Single Receptacles						
Poles	NEMA Configuration	Voltage/Current	Description	Engineering No.	Order No.	
2-Pole/ 2-Wire	L1-15	15A/125V	White, flanged	2504MB	130149-0018	
2-Pole/ 3-Wire	5-15	15A/125V	White, flanged	1547MB	130149-0012	
			Ivory, heavy-duty	5261DWI	130149-0088	
			White, flanged	2547MB	130149-0021	
	L5-15	15A/125V	White, flanged	2549MB	130149-0022	
	L6-15	15A/250V	White, flanged	2534MB	130149-0020	
	L7-15	15A/277V	White, flanged	1533MB	130149-0011	
	5-20	20A/125V	White, flanged	2747MB	130149-0039	
	L5-20	20A/125V	Black, heavy-duty	4747	130149-0066	
			Yellow, heavy-duty corrosion resistant	4747CR	130149-0067	
			White, flanged	1548MB	130149-0013	
			White, flanged	2748MB	130149-0040	
			Black, heavy-duty	4748	130149-0068	
	L6-20	20A/250V	Yellow, heavy-duty corrosion resistant	4748CR	130149-0069	
White, flanged			2749MB	130149-0041		
Black, heavy-duty			4749	130149-0070		
L7-20	20A/277V	Black, heavy-duty	4749	130149-0070		
3-Pole/ 3-Wire	Non-NEMA Locking	15A/125V 10A/250V	White, flanged	2507MB	130149-0019	
	Non-NEMA Locking	20A/125V/250V	White, flanged	2708MB	130149-0036	
3-Pole/ 4-Wire	L14-20	20A/125V/250V	White, flanged	2774MB	130149-0042	
			Black	4774	130149-0071	
			Black	4775	130149-0072	
	L15-20	20A/250V/3ø	Black	4776	130149-0074	
	L16-20	20A/480V/3ø	Black	2974MB	130149-0059	
	L14-30	30A/125V/250V	White, flanged	2975MB	130149-0060	
			White, flanged	2976MB	130149-0061	
	L15-30	30A/250V/3ø	White, flanged	4976	130149-0085	
			Black	4976	130149-0085	
			Corrosion resistant	4976CR	130149-0086	
	Non-NEMA Locking CA	50A/125V/250V	Black	CS6369	130155-0135	
			Black	CS8369	130155-0158	
			Black	3769	130155-0043	
Black			CS8169	130155-0146		
Black			CS8169	130155-0146		
Non-NEMA Locking	50A/250V/3ø	Black	CS8169	130155-0146		
Non-NEMA Locking	50A/600V AC/250V DC	Black	3769	130155-0043		
Non-NEMA Locking CA	50A/480V/3ø	Black	CS8169	130155-0146		

* Not CSA listed

Heavy-Duty Industrial

Safeway Industrial Nylon



5362DW



5362DWCR

Safeway Duplex Receptacles						
Poles	NEMA Configuration		Voltage/Current	Description	Engineering No.	Order No.
2-Pole/ 3-Wire	5-15		15A/125V	Brown	5252DW	130148-0075
				Black	5252DWBLK	130148-0076
				Brown, heavy-duty	5262DW	130148-0083
				Ivory, heavy-duty	5262DWI	130148-0086
				White, heavy-duty	5262DWW	130148-0089
				Yellow, heavy-duty corrosion resistant	5262DWCR	130148-0084
				Brown, heavy duty, hospital duty	85262DW	130148-0114
				Ivory, heavy duty, hospital duty	85262DWI	130148-0115
				Red, heavy duty, hospital duty	85262DWR	130148-0116
				White, heavy duty, hospital duty	85262DWW	130148-0117
	L5-15		15A/125V	Brown, heavy-duty	4700DW†	130148-0074
				Brown, heavy-duty	5362DW*	130148-0097
				Black, heavy-duty	5362DWBLK*	130148-0099
				Ivory, heavy-duty	5362DWI*	130148-0102
				Red, heavy-duty	5362DWR*	130148-0104
				Blue, heavy-duty	5362DWBL*	130148-0091
				Yellow, heavy-duty corrosion resistant	5362DWCR*	130148-0100
				Brown, heavy-duty, hospital duty	85362DW*	130148-0118
				Black, heavy-duty, hospital duty	85362DWBLK*	130148-0119
				Ivory, heavy-duty, hospital duty	85362DWI*	130148-0121
	5-20		20A/125V	Red, heavy-duty	5362DWR*	130148-0122
				White, heavy-duty, hospital duty	85362DWW*	130148-0123
				Brown	5452DW*	130148-0106
				Brown, heavy-duty	5462DW*	130148-0107
				Yellow, heavy-duty corrosion resistant	5462DWCR*	130148-0108
				White, heavy-duty, hospital duty	85362DWR*	130148-0122
				Ivory, heavy-duty, hospital duty	85362DWI*	130148-0121
				Black, heavy-duty, hospital duty	85362DWBLK*	130148-0119
6-20		20A/250V	Brown	5452DW*	130148-0106	
			Brown, heavy-duty	5462DW*	130148-0107	

* Not CSA listed
† Not UL/CSA listed



1447MB



85447MB

Safeway Single Male Inlets						
Poles	NEMA Configuration		Voltage/Current	Description	Engineering No.	Order No.
	L1-15		15A/125V	White, flanged	2404MB	130143-0014
2-Pole/ 3-Wire	5-15		15A/125V	White, flanged	1447MB	130149-0008
				White, flanged, hospital duty	85447MB	130149-0094
	L5-15		15A/125V	White, flanged	2447MB	130149-0016
	L6-15		15A/250V	White, flanged	2449MB	130149-0017
	5-20		20A/125V	White, flanged	1433MB	130149-0007
	L5-20		20A/125V	White, flanged	2647MB	130149-0027
	L6-20		20A/250V	White, flanged	2648MB	130149-0028
3-Pole/ 3-Wire	Non-NEMA Locking		15A/125V 10A/250V	White, flanged	2407MB	130149-0014
	Non-NEMA Locking		20A/125V/250V	White, flanged	2608MB	130149-0024
3-Pole/ 4-Wire	L14-20		20A/125V/250V	White, flanged	2674MB	130149-0029
	L14-30		30A/125V/250V	White, flanged	2874MB	130149-0051
	L15-30		30A/250V/3ø	White, flanged	2875MB	130149-0052
	L16-30		30A/480V/3ø	White, flanged	2876MB	130149-0053
	Non-NEMA Locking CA		50A/125V/250V	White, flanged	CS6375	130155-0137
	Non-NEMA Locking CA		50A/250V/3ø	White, flanged	CS8375	130155-0159
	Non-NEMA Locking		50A/600V AC/250V DC	White, flanged	3775	130155-0044
	Non-NEMA Locking CA		50A/480V/3ø	White, flanged	CS8175	130155-0147

Heavy-Duty Industrial

Super-Safeway Industrial Rubber

CORDSETS

For use with both Super-Safeway and Safeway plugs and connectors.



Super-Safeway Industrial Rubber Cordsets

Poles	NEMA Configuration	Voltage/Current	Description	Cord Length	Engineering No.	Order No.	
2-Pole/2-Wire	1-15	15A/125V	Yellow 16 gauge SOOW cord	7.62m (25.0')	1404A162	130143-0083	
2-Pole/3-Wire	5-15	15A/125V	Yellow 16 gauge SOOW cord	7.62m (25.0')	1447A163	130143-0097	
				15.24m (50.0')	1447B163	130143-0104	
				30.48m (100.0')	1447D163	130143-0113	
			Yellow 14 gauge SOOW cord	1.83m (6.0')	1447L143	130143-0114	
				7.62m (25.0')	1447A143	130143-0095	
				15.24m (50.0')	1447B143	130143-0102	
				30.48m (100.0')	1447D143	130143-0111	
	Yellow 12 gauge SOOW cord	7.62m (25.0')	1447A123	130143-0093			
		15.24m (50.0')	1447B123	130143-0099			
	L5-15	15A/125V	Yellow 14 gauge SOOW Cord	15.24m (50.0')	2447B143	130143-0176	
				30.48m (100.0')	2447D143	130143-0178	
	6-15	15A/250V	Yellow 14 gauge SOOW cord	15.24m (50.0')	1449B143	130143-0119	
	5-20	20A/125V	Yellow 14 gauge SOOW cord	7.62m (25.0')	1433A143	130143-0086	
				7.62m (25.0')	1433A123	130143-0084	
				15.24m (50.0')	1433B123	130143-0088	
		Yellow 12 gauge SOOW cord	30.48m (100.0')	1433D123	130143-0091		
			20A/125V	Yellow 14 gauge SOOW cord	7.62m (25.0')	2647A143	130143-0204
					15.24m (50.0')	2647B143	130143-0207
		Yellow 12 gauge SOOW cord	7.62m (25.0')	2647A123	130143-0203		
			15.24m (50.0')	2647B123	130143-0205		
30.48m (100.0')			2647D123	130143-0209			
6-20		20A/250V	Yellow 14 gauge SOOW cord	7.62m (25.0')	1448A143	130143-0115	
L6-20	20A/250V	Yellow 14 gauge SOOW cord	7.62m (25.0')	2648A143	130143-0212		
		Yellow 12 gauge SOOW cord	7.62m (25.0')	2648A123	130143-0211		
L5-30	30A/125V	Yellow 12 gauge SOOW cord	7.62m (25.0')	2847A123	130143-0252		
L6-30	30A/250V	Yellow 12 gauge SOOW cord	7.62m (25.0')	2848A123	130143-0255		
			7.62m (25.0')	2848A103	130143-0254		
			15.24m (50.0')	2848B103	130143-0312		
3-Pole/3-Wire	Non-NEMA Locking	15A/125V 10A/250V	Yellow 16 gauge SOOW cord	15.24m (50.0')	2407B163	130143-0171	
			Yellow 14 gauge SOOW cord	7.62m (25.0')	2407A143	130143-0169	
	Non-NEMA Locking	20A/125V/250V	Yellow 14 gauge SOOW cord	15.24m (50.0')	2608B143	130143-0201	
3-Pole/4-Wire	L14-20	20A/125V/250V	Yellow 12 gauge SOOW cord	15.24m (50.0')	2674B124	130143-0214	
	L16-30	30A/480V/3Ø	Yellow 10 gauge SOOW cord	15.24m (50.0')	2876B104	130143-0257	

Heavy-Duty Industrial

Super-Safeway Industrial Rubber

Specifications

Physical	Plug blades and connector contacts: Nickel-plated Brass
	Super-Safeway Outer Housing: Advanced Vulcanized rubber
Environmental	Face Screws: Stainless Steel
	Face Insert: Nylon
Reference Information	Wire Saddle Clamp: Brass
	Cord Clamp Screws: Steel, Zinc-plated
	Operating Temperature: -35° C to 66° C
	UL File No. E38085
Reference Information	Y and W Non-Inline GFCI Cordset—E38085
	CSA File No.: LR6837
	Y and W Non-Inline GFCI Cordset—LL52750



Super-Safeway Industrial Rubber Cordsets with Inline GFCI

Poles	NEMA Configuration	Voltage/Current	Description	Cord Length	Engineering No.	Order No.
2-Pole/ 3-Wire	5-15	15A/125V	Yellow, 14 gauge SJOW cord with inline GFCI	15.24m (50.0')	1447B143IN	130143-0103
	L5-20	20A/125V	Yellow 12 gauge SJOW cord with inline GFCI	0.305m (1.0')	2647E123IN	130143-0210



Super-Safeway Industrial Rubber Molded Y and W Cordsets

Poles	NEMA Configuration	Voltage/Current	Description	Cord Length	Y Cordset		W Cordset	
					Engineering No.	Order No.	Engineering No.	Order No.
2-Pole/ 3-Wire	5-15	15A/125V	Yellow, 12 gauge SOOW cord	0.91m (3.0')	1447-Y	130154-0038	1447-W	130154-0035
			Black, 12 gauge SOOW cord	0.91m (3.0')	1447-YB	130154-0039	-	-
	L5-15	15A/125V	Yellow 12 gauge SOOW cord	0.91m (3.0')	2447-Y	130154-0056	2447-W	130154-0055
	6-15	15A/250V	Yellow 12 gauge SOOW cord	0.91m (3.0')	-	-	1449-W	130154-0042
	5-20	20A/125V	Yellow 12 gauge SOOW cord	0.91m (3.0')	1433-Y	130154-0034	1433-W	130154-0033
	L5-20	20A/125V	Yellow 12 gauge SOOW cord	0.91m (3.0')	2647-Y	130154-0064	2647-W	130154-0062
	6-20	20A/250V	Yellow 12 gauge SOOW cord	0.91m (3.0')	1448-Y	130154-0041	-	-
L6-30	30A/250V	Yellow 12 gauge SOOW cord	0.91m (3.0')	2848-Y	130154-0073	-	-	
3-Pole/ 3-Wire	Non-NEMA Locking	20A/125V/250V	Yellow 12 gauge SOOW cord	0.91m (3.0')	2608-Y	130154-0106	-	-



Super-Safeway Industrial Rubber Molded Y and W Cordsets with Inline GFCI

Poles	NEMA Configuration	Voltage/Current	Description	Cord Length	Y Cordset		W Cordset	
					Engineering No.	Order No.	Engineering No.	Order No.
2-Pole/ 3-Wire	5-15	15A/125V	Yellow, 12 gauge SJOW cord with inline GFCI	0.91m (3.0')	1447-Y-IN	130154-0040	1447-W-IN	130154-0037
	5-20	20A/125V	Yellow, 12 gauge SJOW cord with inline GFCI	0.91m (3.0')	-	-	1433-W-IN	130154-0105
	L5-20	20A/125V	Yellow 12 gauge SJOW cord with inline GFCI	0.91m (3.0')	2647-Y-IN	130154-0065	2647-W-IN	130154-0063

Heavy-Duty Industrial

Super-Safeway Industrial Rubber

ADAPTERS

Features and Benefits

- Advanced Vulcanized rubber body yields the best performance for abrasion, chemical exposure and temperature extremes within the Super-Safeway offering
- Floating blade construction provides self-alignment, and a better mechanical and electrical connection minimizing wear and heat generation



Specifications

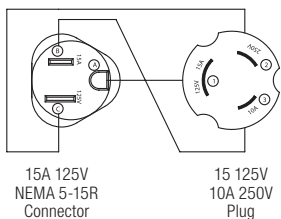
Physical	Plug Blades and Connector Contacts: Nickel-Plated Brass Super-Safeway Outer Housing: Advanced vulcanized rubber
Environmental	Operating Temperature: Maximum continuous 75° C, minimum -40° C (no impact) Temperature Rise: Maximum 30° C rise at full rated current after 50 cycles of overload at 150% of rated current at a power factor of 75%
Reference Information	UL File No.: E10176 CSA File No.: LR6837



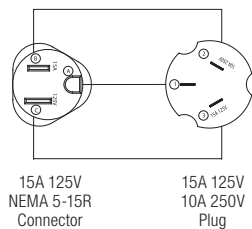
Read across for plug (blade) configuration, then read down for receptacle (slot) configuration. Order the Engineering number in intersecting box.	Receptacle (female end)	Plug (Male End)							
		15A/125V 5-15	15A/125V* Non-NEMA	20A/125V 5-20	15A/125V L5-15	15A/125V* Non-NEMA	20A/125V L5-20	20A/125V P and S Pins	20A/250V Non-NEMA
The following letter codes indicate limited use adapters: A For use only with receptacles wired for 125V singlephase grounding service. B For use only up to a maximum of 15A. C For use only with receptacles wired for 15A/125V single-phase grounding service	15A/125V 5-15	—	1702† C	—	1705	1704† 00136† C	1740	—	1730
	20A/125V 5-20	—	—	—	—	—	1740	1733	1730 A
	15A/125V L5-15	1712	—	—	—	1725 C	1783	—	—
	15A/125V* Non-NEMA	1708 00137	—	—	1719	—	—	—	—
	20A/125V L5-20	1744 B	—	1741	—	—	—	—	—
	20A/250V Non-NEMA	1732 C	—	—	—	—	—	—	—

* Also rated 10A/250V
† For adapter wiring, refer to wiring schematics below, not UL or CSA

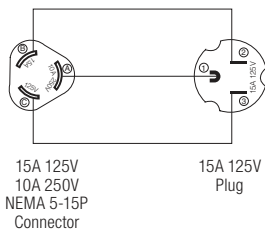
Engineering No. 00136



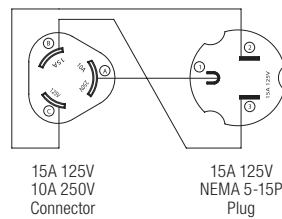
Engineering No. 1702



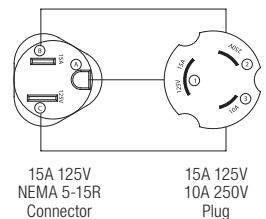
Engineering No. 1708



Engineering No. 00137



















Engineering No. 1704



Heavy-Duty Industrial

Super-Safeway Industrial Rubber

Super-Safeway Adapters					
Adapter	Engineering No.	Order No.	Adapter	Engineering No.	Order No.
	1712	130151-0017		1719*	130151-0018
	1708*	130151-0016		1704*	130151-0013
	00137*†	130151-0002		00136*†	130151-0001
	1744*	130151-0025		1725*	130151-0019
	1732*	130151-0021		1740	130151-0023
	1702*†	130151-0012		1783*	130151-0026
	1741	130151-0024		1733*	130151-0022
	1705	130151-0014		1730*†	130151-0020

* Not UL listed
† Not CSA listed

Heavy-Duty Industrial

Pin & Sleeve Devices

Features and Benefits

- IP44 rated
- Deadfront construction
- Self-adjusting split contact sleeves; Nickel-plated Steel spring compensates for wear, maintains constant pressure along contact surface to ensure electrical continuity and grounding
- Latching mechanism prevents accidental disengagement
- Keyway for fast, accurate alignment
- Internal strain relief with “swing away” feature
- External strain relief reduces bending arc of cable
- Large, identified terminals accept conductors one or two sizes larger or smaller than normal
- “Onion ring” neoprene bushing in cable grip accommodates wide range of cable sizes

Specifications

Physical	Pins: Brass
	Housing: Type G nylon Contact Carrier: Type G nylon
Environmental	IEC Rating: IP44
	IEC Standards*: 309-1 and 309-2
Applications	Temporary power systems
	Power disconnect for portable processing equipment Machinery intended for export and users of foreign-built equipment

* IEC 309-1 and 309-2 are a worldwide pin and sleeve standard established by the International Electrotechnical Commission. It meets requirements of Section 410-56(g) of the National Electrical Code



20A Safeway Devices								
Pole/Wire	Color	Voltage	Receptacle		Plug		Connector	
			Engineering No.	Order No.	Engineering No.	Order No.	Engineering No.	Order No.
2-Pole/3-Wire	Yellow	125	320R4	130150-0056	320P4	130150-0049	320C4	130150-0036
2-Pole/3-Wire	Blue	250	320R6	130150-0058	320P6	130150-0052	320C6	130150-0039
2-Pole/3-Wire	Gray	277	320R5	130150-0289	320P5	130150-0051	320C5	130150-0038
3-Pole/4-Wire	Orange	125/250	420R12	130150-0143	420P12	130150-0135	420C12	130198-0124
3-Pole/4-Wire	Blue	3ø250	420R9	130150-0149	420P9	130150-0141	420C9	130150-0288
3-Pole/4-Wire	Red	3ø480	420R7	130150-0147	420P7	130150-0139	420C7	130150-0127
3-Pole/4-Wire	Black	3ø600	420R5	130150-0145	420P5	130150-0137	420C5	130150-0125
4-Pole/5-Wire	Blue	3øY 120/208	520R9	130150-0244	520P9	130150-0240	520C9	130150-0229
5-Pole/5-Wire	Red	3øY 277/480	520R7	130150-0242	520P7	130150-0238	520C7	130150-0227

30A Safeway Devices								
Pole/Wire	Color	Voltage	Receptacle		Plug		Connector	
			Engineering No.	Order No.	Engineering No.	Order No.	Engineering No.	Order No.
3-Pole/4-Wire	Red	3ø480	430R7	130150-0176	430P7	130150-0170	430C7	130150-0157

60A Safeway Devices								
Pole/Wire	Color	Voltage	Receptacle		Plug		Connector	
			Engineering No.	Order No.	Engineering No.	Order No.	Engineering No.	Order No.
3-Pole/4-Wire	Orange	125/250	460R12	130150-0206	460P12	130150-0198	460C12	130150-0185
3-Pole/4-Wire	Blue	3ø250	460R9	130150-0212	460P9	130150-0204	460C9	130150-0191
3-Pole/4-Wire	Red	3ø480	460R7	130150-0210	460P7	130150-0202	460C7	130150-0189
3-Pole/4-Wire	Black	3ø600	460R5	130150-0208	460P5	130150-0200	460C5	130150-0187

Note: Angled inlet and mechanical interlock also available for 2-Pole/3-Wire, 4-Pole/5-Wire

Heavy-Duty Industrial

Industrial Duty Safeway Pin and Sleeve Devices

IEC 309 PIN AND SLEEVE CONFIGURATION AND COLOR-CODING STANDARD

CONTACT POSITIONS

The grounding contact position is based on a clock face. With the keyway at bottom, the female grounding contact will appear at one of the 12 clock positions. Example: All 480V AC receptacles and connectors, regardless of amperage, have their grounding sleeve at 7 o'clock (which puts the grounding pin on all mating plugs and inlets at 5 o'clock).

VOLTAGE RATING COLOR-CODE

The housings of every device in a particular voltage group are identical in color for instant identification. Example: All 480V AC devices are red, and all 250V AC devices are blue.

AMPERAGE RATING IDENTIFICATION

Amperage differences can be identified by the relative sizes of the devices. Smallest is 20A, and largest is 60A.

Woodhead Catalog Numbering System			
First Digit of Woodhead Number	Second Series of Digits	Letter	Third Digit
3 = 3-Wire	20 = 20A	P = Plug	Clock position of female grounding contact
4 = 4-Wire	30 = 30A	R = Receptacle	—
5 = 5-Wire	60 = 60A	C = Connector	—
—	100 = 100A	B = Inlet	—
—	—	BA = Angled Inlet	—

Examples: 430R7 = Woodhead 4-Wire, 30A receptacle with a grounding sleeve at seven o'clock.
430P7 = Woodhead 4-Wire, 30A plug which mates with a grounding sleeve at seven o'clock.

Cord Grip Ranges		
Plug and Connector Type	Cable Diameter Min. (in.)	Cable Diameter Max. (in.)
320	0.395	0.825
420	0.395	0.825
520	0.395	0.825
330	0.395	0.825
430	0.710	1.20
530	0.710	1.20
60A	0.710	1.20

Note: For Watertite products, see page 116

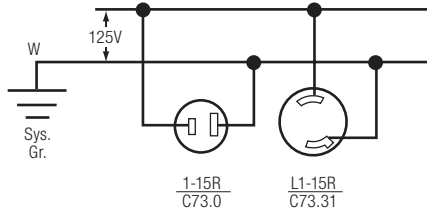
Technical Information

Technical Reference

WIRING DIAGRAMS FOR NEMA CONFIGURATIONS

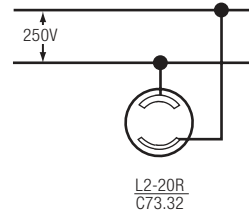
Configurations shown are for female devices.

125V
2P, 2W



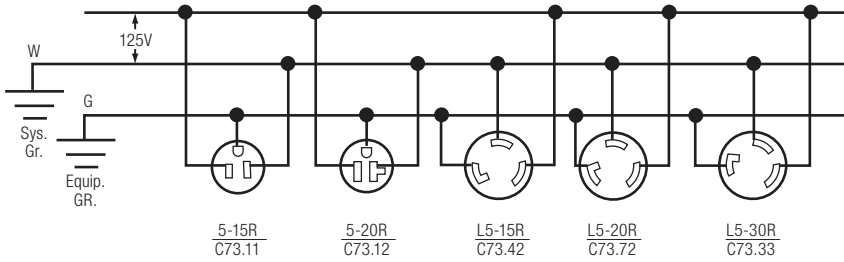
NEMA
ANSI

250V
2P, 2W



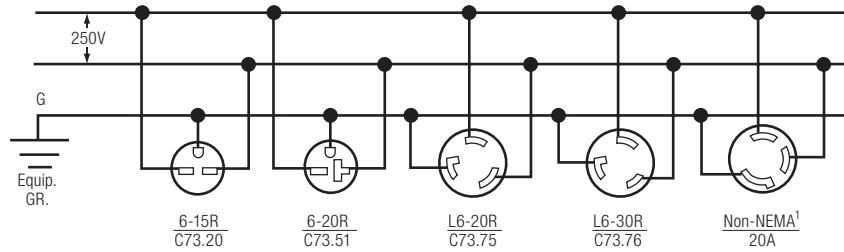
NEMA
ANSI

125
2P, 3W
Grounding



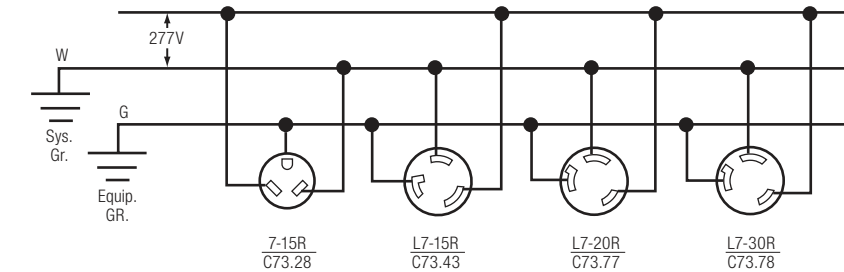
NEMA
ANSI

250V
2P, 3W
Grounding



NEMA
ANSI

277V AC
2P, 3W
Grounding



NEMA
ANSI

¹ Previously rated 20A/250V or 10A/600V.

² Previously rated 30A/250V.

Note: The above diagrams are intended to show wiring device terminal identification only.

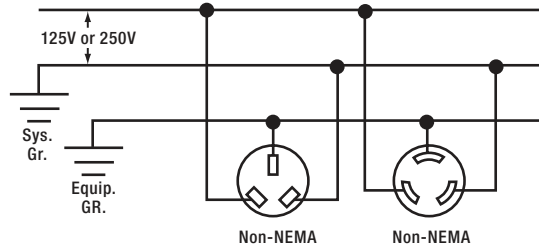
Technical Information

Technical Reference

WIRING DIAGRAMS FOR NEMA CONFIGURATIONS

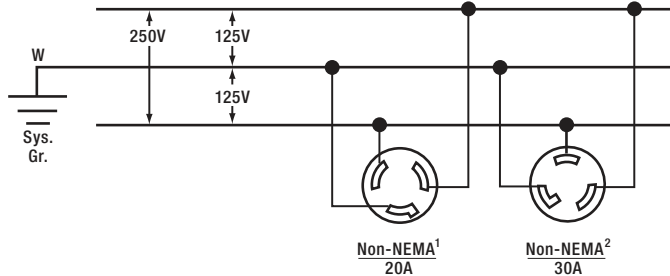
Configurations shown are for female devices.

15A 125V/10A 250V
2P, 3W
Grounding



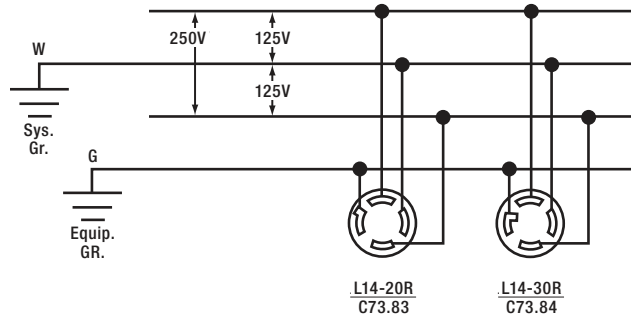
NEMA
ANSI

125/250V
3P, 3W



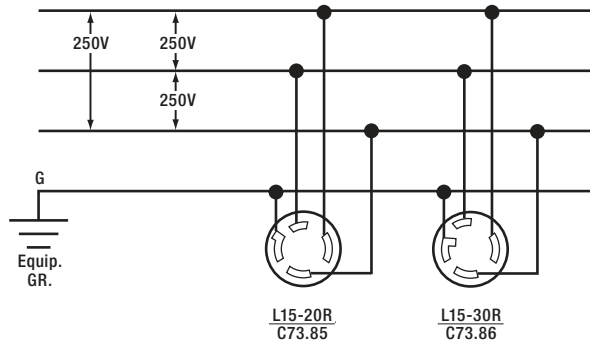
NEMA
ANSI

125/250V
3P, 4W
Grounding



NEMA
ANSI

3Ø
250V
3P, 4W
Grounding



NEMA
ANSI

¹ Previously rated 20A/250V or 10A/600V.

² Previously rated 30A/250V.

Note: The above diagrams are intended to show wiring device terminal identification only.

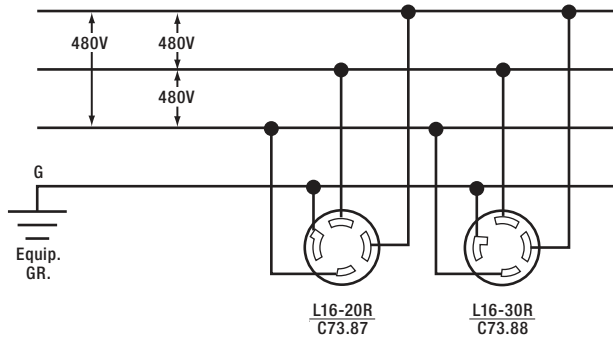
Technical Information

Technical Reference

WIRING DIAGRAMS FOR NEMA CONFIGURATIONS

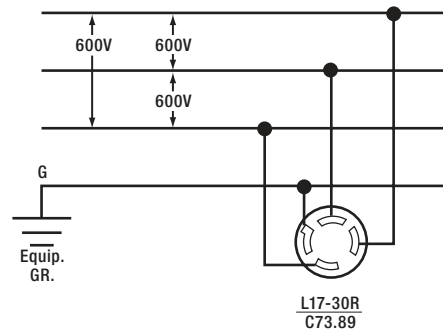
Configurations shown are for female devices.

3Ø
480V
3P, 4W
Grounding



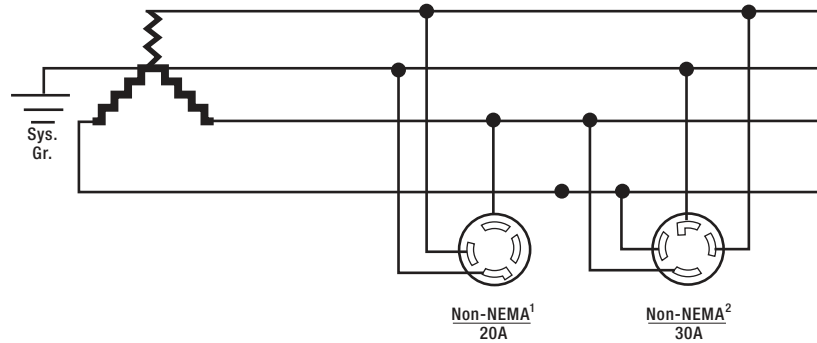
NEMA
ANSI

3Ø
600V
3P, 4W
Grounding



NEMA
ANSI

3Ø
120/208V
4P, 4W



NEMA
ANSI

¹ Previously rated 20A/250V or 10A/600V.

² Previously rated 30A/250V.

Note: The above diagrams are intended to show wiring device terminal identification only.

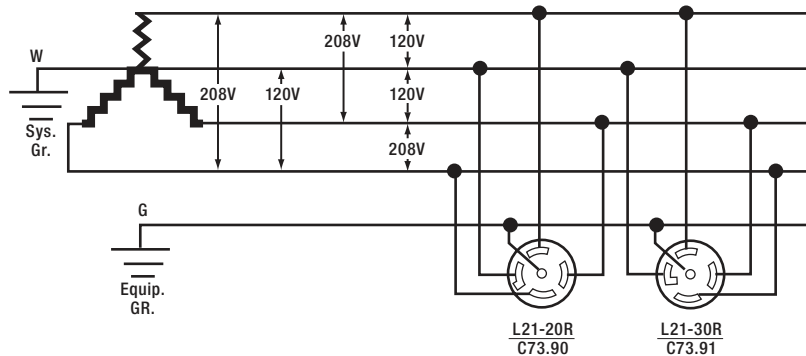
Technical Information

Technical Reference

WIRING DIAGRAMS FOR NEMA CONFIGURATIONS

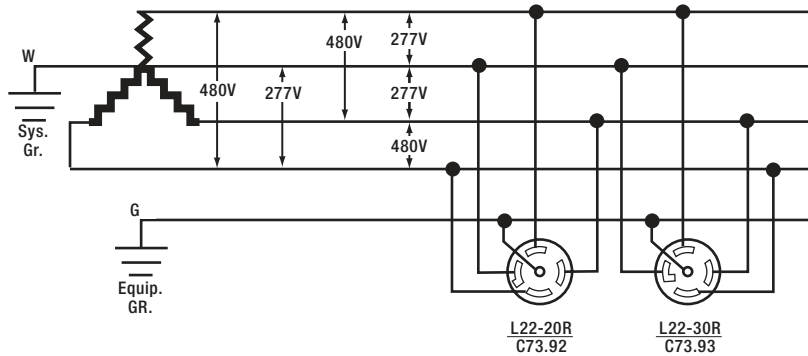
Configurations shown are for female devices.

3ØY
120/208V
4P, 5W
Grounding



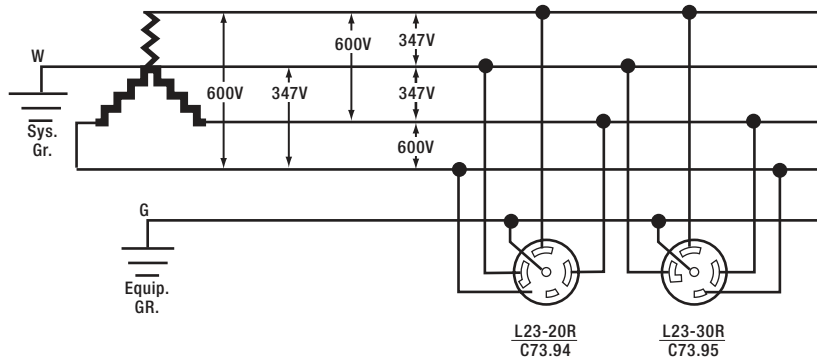
NEMA
ANSI

3ØY
277/480V
4P, 5W
Grounding



NEMA
ANSI

3ØY
347/600V
4P, 5W
Grounding



Note: The above diagrams are intended to show wiring device terminal identification only.

Technical Information

Technical Reference

TERMINAL IDENTIFICATION

Most Woodhead plugs, connectors and receptacles are standard NEMA configurations. As such, standard terminal identification is used to incorporate these devices in the wiring system.

Terminal	Letter Designation	Description	Conductor
Green	G	Grounding terminal	Green, Green with Yellow Stripe
White	W	Grounded terminal	White or Gray
X, Y, Z	X, Y, Z	Hot terminals	Black, Red, Blue, Etc. ¹

¹ There is no standard that matches color to letters. Once a correlation is chosen, it should be used consistently.

Watertite Extreme Devices Cord Range

Dimensional Reference Information	Cord Range
F2	0.2–1.6cm (0.062–0.625")
F3	0.5–2.1cm (0.187–0.812")
F4	1.1–2.8cm (0.437–1.10")
F5	2.2–3.5cm (0.875–1.375")

Super-Safeway, Safeway Devices Cord Range

Dimensional Reference Information	Cord Range
2	0.8–1.7cm (0.300–0.675")
3	0.8–2.1cm (0.325–0.840")
4	1.1–2.9cm (0.425–1.150")

HORSEPOWER RATINGS FOR NEMA CONFIGURATION ATTACHMENT PLUGS AND RECEPTACLES

15A

AC Voltage Rating	Phases	Poles	Horsepower Rating	NEMA Designation
125	1	2	½	1-15, L1-15, 5-15, L5-15
250	1	2	2	6-15, L6-15, 7-15, L7-15

20A

AC Voltage Rating	Phases	Poles	Horsepower Rating	NEMA Designation
125	1	2	1	5-20, L5-20
250	1	2	2	L2-20, 6-20, L6-20
277	1	2	2	L7-20
125/250	1	3	2 L-L, 1 L-N	10-20, L10-20, L14-20
250	3	3	5	L11-20, L15-20
480	3	3	10	L16-20
120/208	3	4	3	L21-20
277/480	3	4	10	L22-20

30A

AC Voltage Rating	Phases	Poles	Horsepower Rating	NEMA Designation
125	1	2	2	L5-30
250	1	2	3	L6-30
277	1	2	3	L7-30
125/250	1	3	2 L-N	L14-30
250	3	3	7½	L15-30
480	3	3	15	L16-30
120/208	3	4	5	L21-30
277/480	3	4	15	L22-30

L-L: Motor connected line-to-line

L-N: Motor connected line-to-neutral

Note: Horsepower ratings are not applicable to devices incorporating overcurrent protection or a switch.

Refer to ANSI/NEMA WD6-1988 for configurations of the NEMA designations.

Technical Information

Technical Reference

SELECTING THE PROPER CABLE SIZE

- 1 Determine the load ampacity requirements.
- 2 Read across for the number of current-carrying conductors.
- 3 Read down until the value meets or exceeds the requirements established in Step 1.
- 4 Read back across to left to determine the appropriate size cord.

AWG	2 Current-Carrying Conductors*	3 Current-Carrying Conductors*	4-6 Current-Carrying Conductors*
22	3A	3A	3A
18	10A	7A	5A
16	13A	10A	8A
14	18A	15A	12A
12	25A	20A	16A
10	30A	25A	20A
8	40A	35A	28A
6	55A	45A	36A
4	70A	60A	48A
2	95A	80A	64A

* In determining cord capacity, count only those conductors that are current-carrying. The grounding conductor is not counted.
 Note: For further information, consult Table 400-5 of the National Electrical Code.

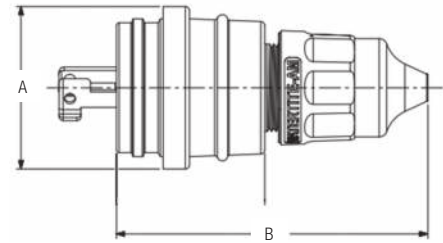
Nominal Cord Diameter*				
AWG	2 Conductors	3 Conductors	4 Conductors	5 Conductors
22	0.215-0.235"	0.215-0.235"	0.240-0.260"	0.250-0.270"
18	0.340-0.385"	0.360-0.400"	0.385-0.430"	0.460-0.510"
16	0.365-0.410"	0.385-0.430"	0.410-0.460"	0.490-0.550"
14	0.495-0.550"	0.520-0.575"	0.560-0.620"	0.630-0.705"
12	0.565-0.625"	0.590-0.655"	0.640-0.710"	0.700-0.770"
10	0.615-0.685"	0.650-0.720"	0.700-0.775"	0.760-0.840"
8	0.780-0.880"	0.830-0.930"	0.925-1.050"	1.000-1.150"
6	0.920-1.050"	0.970-1.100"	1.050-1.200"	1.180-1.330"
4	1.060-1.210"	1.130-1.280"	1.250-1.450"	—
2	1.210-1.400"	1.300-1.500"	1.450-1.650"	—

* Cord types S, SE, SOO, SO, SEO, ST, STOO, and STO. Information for 2- through 18-AWG cable taken from UL Standard 62 "Flexible Cord and Fixture Wire." Information for 22 AWG cable based on Woodhead cord. The grounding conductor is counted.

Technical Information

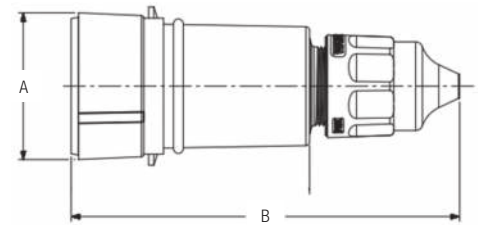
Watertite Extreme for Food & Beverage, General Purpose

DIMENSIONS



Male Plug (Food & Beverage, General Purpose)

Cord Grip/Body Size	A Diameter	B Length
F2	4.7cm (1.85")	9.02cm (3.55")
F3	6.4cm (2.50")	11.28cm (4.44")
F4	6.9cm (2.75")	12.19cm (4.80")



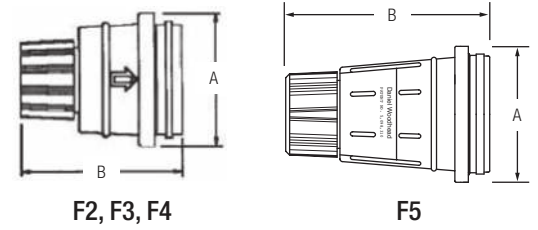
Female Connectors (Food & Beverage, General Purpose)

Cord Grip/Body Size	A Diameter	B Length
F2	4.7cm (1.85")	12.47cm (4.91")
F3	6.4cm (2.50")	16.48cm (6.49")
F4	6.9cm (2.75")	16.99cm (6.69")

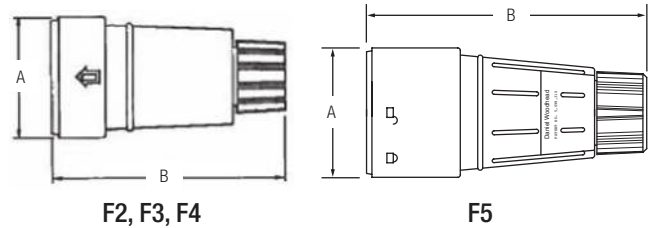
Technical Information

Watertite Extreme for Oil and Gas

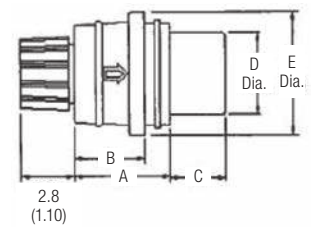
DIMENSIONS



Male Plug (Oil & Gas)		
Cord Grip/Body Size	A Diameter	B Length
F2	4.7cm (1.85")	6.7cm (2.62")
F3	6.4cm (2.50")	7.6cm (3.00")
F4	6.9cm (2.75")	7.6cm (3.00")
F5	10.8cm (4.25")	8.3cm (3.25")



Female Connectors (Oil & Gas)		
Cord Grip/Body Size	A Diameter	B Length
F2	4.7cm (1.85")	10.2cm (4.03")
F3	6.4cm (2.50")	12.0cm (4.75")
F4	6.9cm (2.75")	12.0cm (4.75")
F5	8.3cm (3.25")	16.2cm (6.38")



F2, F3, F4

Female Connector for Flip Lid Containing Male Receptacle (as shown below) for all Watertite Extreme					
Cord Grip/Body Size	A Length	B Length	C Length	D Diameter	E Diameter
F2	4.1cm (1.63")	2.8cm (1.09")	1.8cm (0.72")	3.3cm (1.30")	4.7cm (1.85")
F3	5.0cm (1.95")	3.6cm (1.43")	2.9cm (1.13")	4.2cm (1.66")	6.4cm (2.50")
F4	5.1cm (2.00")	3.8cm (1.49")	2.9cm (1.13")	4.7cm (1.86")	7.0cm (2.75")

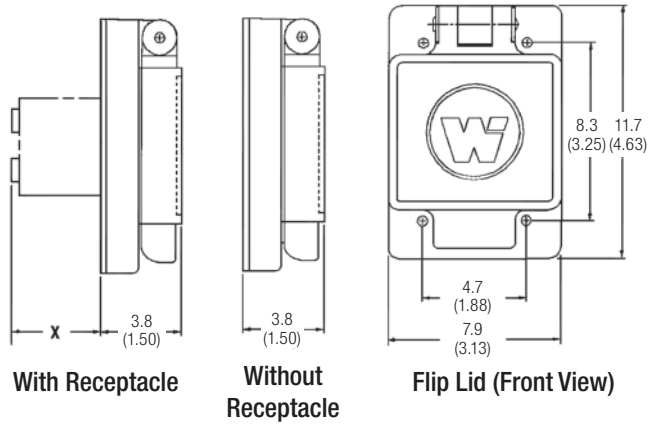
Technical Information

Watertite Extreme Rubber Devices

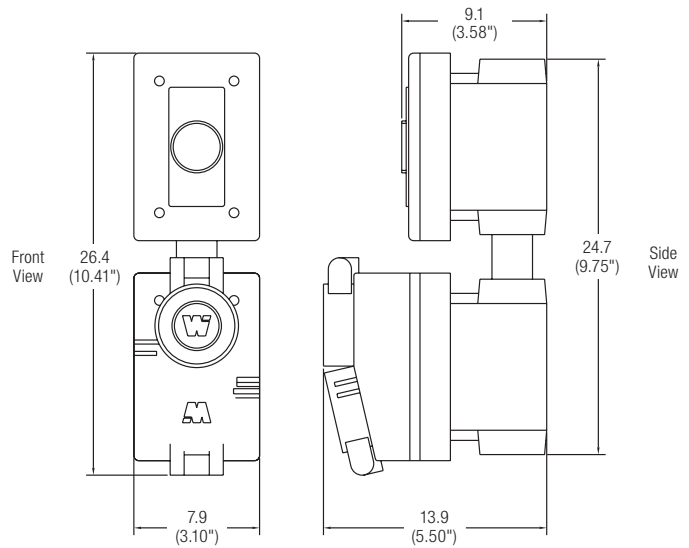
DIMENSIONS

Flip Lid	
Description	X Depth with Female Receptacle
Female locking 15A receptacles	2.3cm (0.91")
Female locking straight-blade 15A and 20A receptacles	2.3cm (0.91")
Female locking 20A and 30A receptacles	3.8cm (1.50")

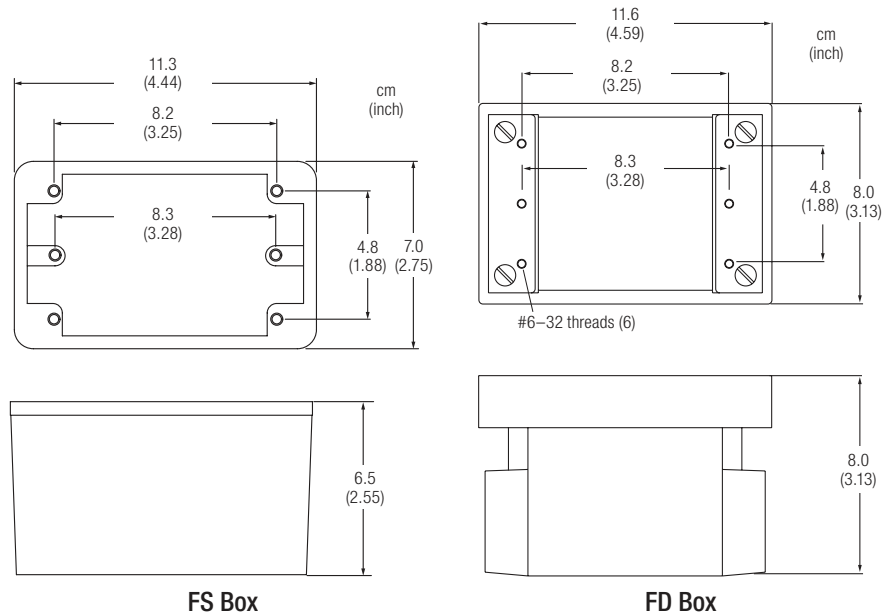
Description	X Depth with Male Receptacle
Male locking 15A receptacles	4.8cm (1.88")
Male locking straight-blade 15A and 20A receptacles	4.8cm (1.88")
Male locking 20A and 30A receptacles	4.8cm (1.88")



GFCI Receptacle



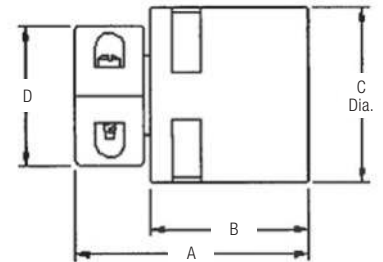
FS and FD Boxes



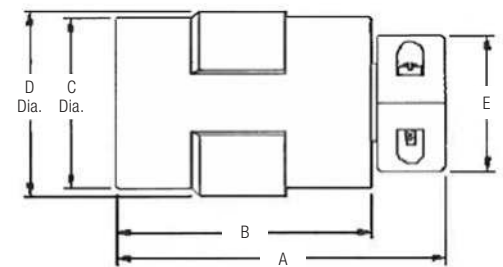
Technical Information

Super-Safeway Rubber Devices

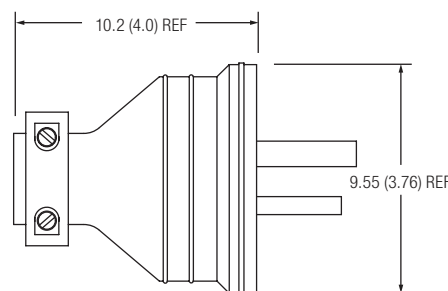
DIMENSIONS



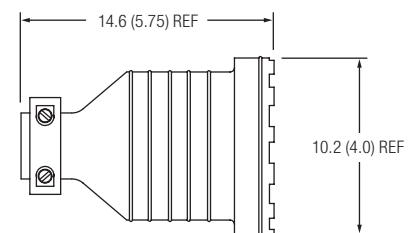
Male Plug				
Current	A Length	B Length	C Diameter	D Diameter
All 15A devices and 20A straight-blade devices	5.8cm (2.27")	3.7cm (1.44")	3.9cm (1.53")	3.9cm (1.53")
20A locking	6.6cm (2.59")	4.5cm (1.76")	4.9cm (1.93")	4.2cm (1.60")
30A locking	6.7cm (2.64")	4.6cm (1.81")	5.4cm (2.11")	4.4cm (1.72")



Female Connector					
Current	A Length	B Length	C Diameter	D Diameter	E Diameter
All 15A devices and 20A straight-blade devices	7.6cm (2.99")	5.5cm (2.16")	3.9cm (1.53")	4.2cm (1.66")	3.9cm (1.53")
20A Locking	9.5cm (3.74")	5.6cm (2.19")	4.9cm (1.93")	5.3cm (2.07")	4.1cm (1.60")
30A Locking	9.6cm (3.77")	7.5cm (2.94")	5.4cm (2.13")	5.9cm (2.31")	4.4cm (1.72")



8664



8665

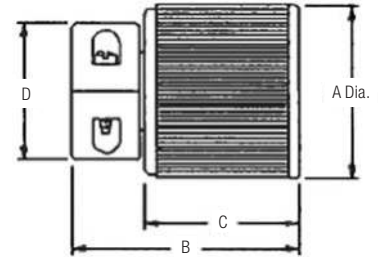
Male Plug and Female Connector, NEMA 6-50, 2-Pole/3-Wire, 250V

Engineering No.	Order No.
8664	130142-0051
8665	130142-0052

Technical Information

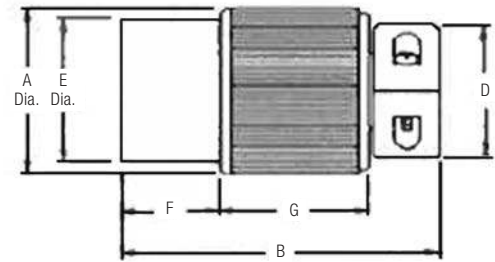
Safeway Nylon Devices

DIMENSIONS



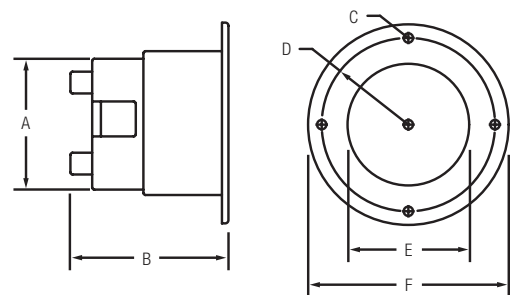
Safeway Plug

Dimensional Reference Information	A Diameter	B Length	C Length	D Diameter
All 15A devices and 20A straight-blade	3.9cm (1.53")	5.5cm (2.17")	3.4cm (1.34")	3.9cm (1.53")
20A Locking	4.9cm (1.94")	6.6cm (2.58")	4.5cm (1.75")	4.1cm (1.60")
30A Locking	5.4cm (2.14")	6.7cm (2.64")	4.6cm (1.81")	4.4cm (1.72")



Safeway Connector

Dimensional Reference Information	A Diameter	B Length	C Length	D Diameter	E Diameter	F Length
All 15A devices and 20A straight-blade	3.9cm (1.53")	7.3cm (2.88")	3.4cm (1.34")	3.9cm (1.53")	3.3cm (1.30")	1.8cm (0.71")
20A Locking	4.9cm (1.94")	9.5cm (3.75")	4.5cm (1.75")	4.1cm (1.60")	4.2cm (1.67")	3.0cm (1.17")
30A Locking	5.4cm (2.14")	9.7cm (3.80")	4.6cm (1.81")	4.4cm (1.72")	4.8cm (1.87")	2.9cm (1.16")



Flanged Inlet Receptacle

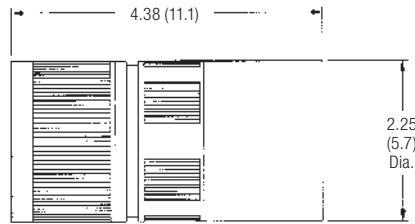
Dimensional Reference Information	A Diameter	B Length	C Length	D Diameter	E Diameter	F Length
All 15A devices and 20A straight-blade	5.8cm (2.25")	6.7cm (2.62")	.5cm (0.19")	3.8cm (1.5")	5.1cm (2.02")	8.9cm (3.5")
20A Locking	4.7cm (1.84")	5.0cm (1.95")	.5cm (0.19")	6.4cm (2.5")	4.8cm (1.88")	7.3cm (2.88")
30A Locking	5.2cm (2.04")	5.1cm (2.0")	.5cm (0.19")	6.9cm (2.7")	5.2cm (2.03")	7.7cm (3.03")

Technical Information

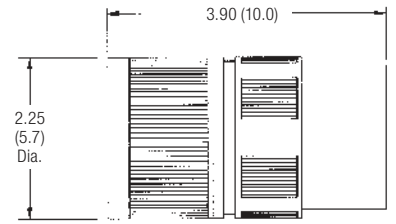
Safeway Nylon Devices

DIMENSIONS

50A Plug and Connector



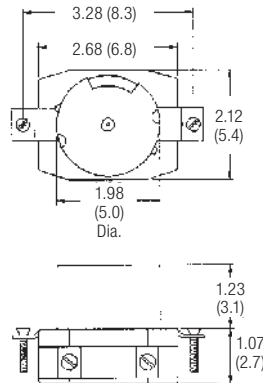
50A Plug



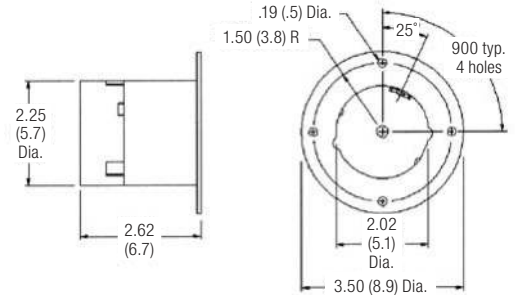
50A Connector*

* Cord range: 1.7–2.9cm (.680–1.125")

50A Receptacle and Flanged Outlet



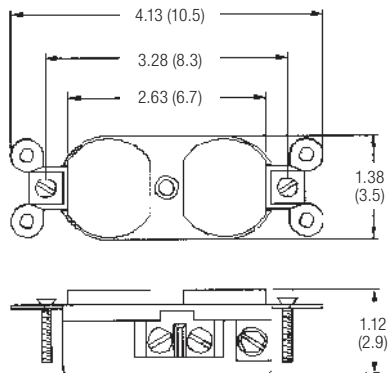
50A Receptacle



50A Flanged Inlet

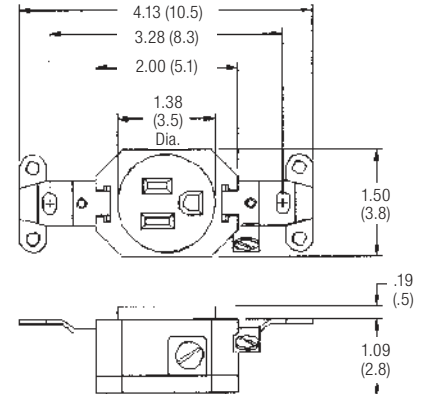
Duplex and Straight-Blade Single Receptacles

Dimensions for all duplex receptacles



Duplex Receptacles

Dimensions for all straight-blade single receptacles

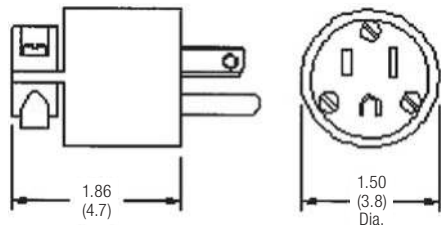


Straight-Blade Single Receptacles

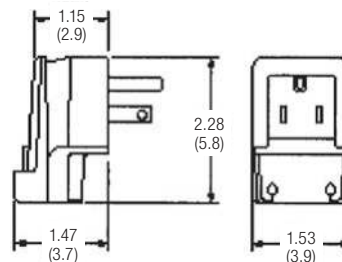
Technical Information

Safeway Nylon Devices

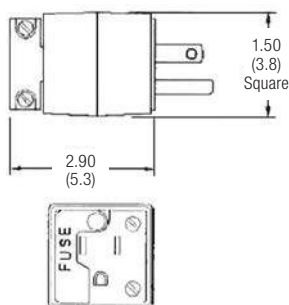
DIMENSIONS



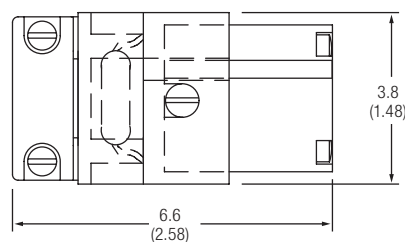
Hospital-Grade Devices		
Description	Engineering No.	Order No.
Hospital-Grade Devices	85447	130144-0087
	85447L	130144-0088



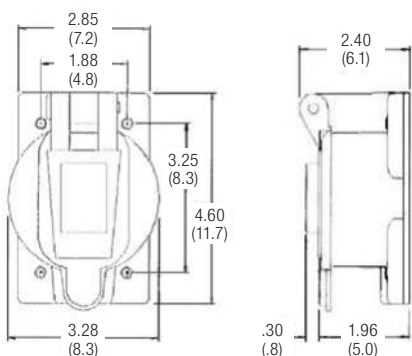
Right Angle Plug		
Description	Engineering No.	Order No.
Right Angle Plug	14R47	130144-0016



Individually Fused Grounding Plug		
Description	Engineering No.	Order No.
Individually Fused Grounding Plug	14F47	130144-0014
	85125	130144-0077



Lighted Connector		
Description	Engineering No.	Order No.
Lighted Connector	5269L	130144-0048



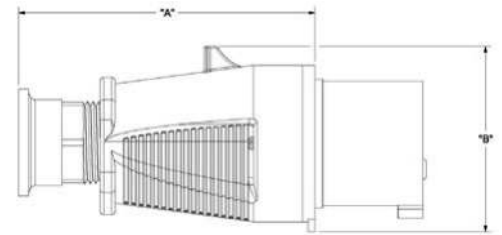
Flip Lid Cover

50A Single Flip Lid Female Receptacle

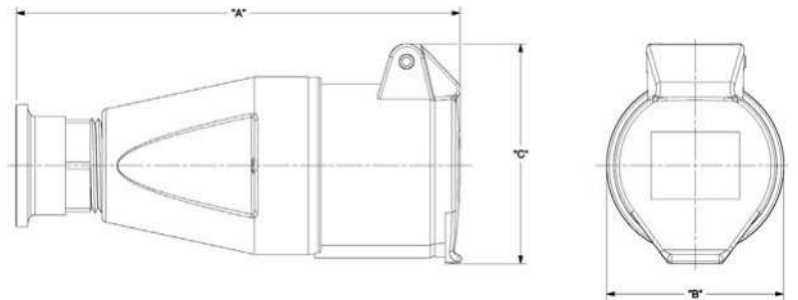
Technical Information

Pin and Sleeve Devices

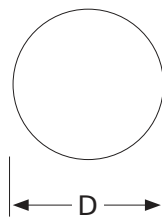
DIMENSIONS



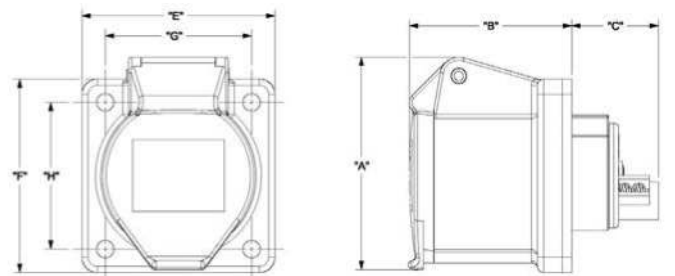
Safeway Splashproof Plug				
Amps	Type	Dimensions:		
		"A"	"B"	Cord Grip Range
20	3 Wire	4.84" (123.0mm)	2.36" (60.0mm)	0.275-0.530" (7.0-13.5mm)
20	4 Wire	5.16" (131.0mm)	2.68" (68.0mm)	0.395-0.825" (10.0-21.0mm)
20	5 Wire	5.16" (131.0mm)	2.95" (75.0mm)	0.395-0.825" (10.0-21.0mm)
30	4 Wire	6.10" (155.0mm)	3.11" (79.0mm)	0.650-1.10" (16.5-28.0mm)
60	4 Wire	9.45" (240.0mm)	3.82" (97.0mm)	0.650-1.5" (16.5-38.0mm)



Safeway Splashproof Connector					
Amps	Type	Dimensions:			Cord Grip Range:
		"A"	"B"	"C"	
20	3 Wire	5.32" (135.0mm)	2.01" (51.0mm)	2.68" (68.0mm)	.275" (7.0mm) – .530" (13.5mm)
20	4 Wire	5.95" (151.0mm)	2.56" (65.0mm)	3.35" (85.0mm)	.395" (10.0mm) – .825" (21.0mm)
20	5 Wire	5.95" (151.0mm)	2.56" (65.0mm)	3.35" (85.0mm)	.395" (10.0mm) – .825" (21.0mm)
30	4 Wire	6.73" (171.0mm)	2.83" (72.0mm)	3.58" (91.0mm)	.650" (16.5mm) – 1.10" (28.0mm)
60	4 Wire	10.00" (255.0mm)	3.78" (96.0mm)	4.49" (114.0mm)	.650" (16.5mm) – 1.50" (38.0mm)



Mounting Hole



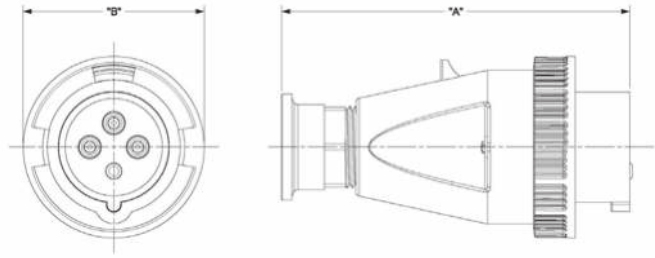
Four Mounting Holes, 5.5mm (.22") 20/30A, 6.5mm (.26") 60A

Safeway Splashproof Receptacle									
Amps	Type	Dimensions:							
		"A"	"B"	"C"	"D"	"E"	"F"	"G"	"H"
20	3 Wire	2.68" (68.0mm)	2.05" (52.0mm)	1.10" (28.0mm)	1.81" (46.0mm)	2.44" (62.0mm)	2.44" (62.0mm)	1.85" (47.0mm)	1.85" (47.0mm)
20	4 & 5 Wire	3.35" (85.0mm)	2.09" (53.0mm)	1.10" (28.0mm)	2.36" (60.0mm)	2.95" (75.0mm)	2.95" (75.0mm)	2.36" (60.0mm)	2.36" (60.0mm)
30	4 Wire	3.58" (91.0mm)	2.56" (65.0mm)	1.06" (27.0mm)	2.36" (60.0mm)	2.95" (75.0mm)	2.95" (75.0mm)	2.36" (60.0mm)	2.36" (60.0mm)
60	4 Wire	4.49" (114.0mm)	3.35" (85.0mm)	2.05" (52.0mm)	3.54" (90.0mm)	3.94" (100.0mm)	4.21" (107.0mm)	3.03" (77.0mm)	3.35" (85.0mm)

Technical Information

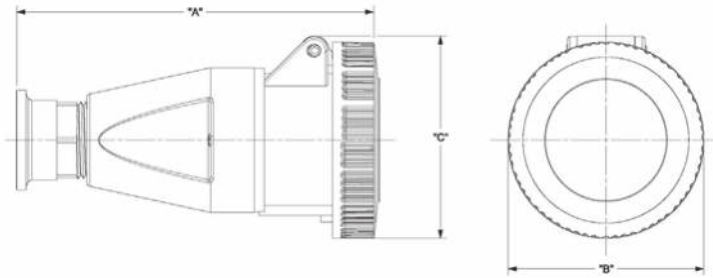
Pin and Sleeve Devices

DIMENSIONS



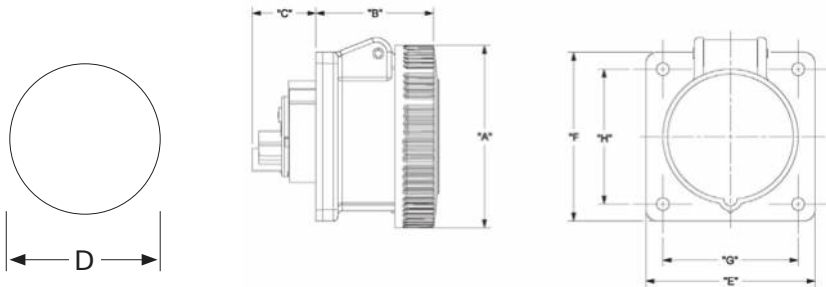
Safeway Watertite Plug

Amps	Type	Dimensions:		Cord Grip Range:
		"A"	"B"	
20	3 Wire	4.96" (126.0mm)	2.83" (72.0mm)	.275" (7.0mm) – .530" (13.5mm)
20	4 Wire	5.20" (132.0mm)	3.19" (81.0mm)	.395" (10.0mm) – .825" (21.0mm)
30	4 Wire	6.14" (156.0mm)	3.78" (96.0mm)	.650" (16.5mm) – 1.10" (28.0mm)
60	3, 4 & 5 Wire	9.57" (243.0mm)	4.33" (110.0mm)	.650" (16.5mm) – 1.50" (38.0mm)
100	3, 4 & 5 Wire	12.40" (315.0mm)	5.12" (130.0mm)	.950" (24.0mm) – 1.90" (48.0mm)



Safeway Watertite Connector

Amps	Type	Dimensions:			Cord Grip Range:
		"A"	"B"	"C"	
20	3 Wire	5.35" (136.0mm)	2.83" (72.0mm)	3.07" (78.0mm)	.275" (7.0mm) – .530" (13.5mm)
20	4 Wire	5.63" (143.0mm)	3.19" (81.0mm)	3.35" (85.0mm)	.395" (10.0mm) – .825" (21.0mm)
30	4 Wire	6.97" (177.0mm)	3.78" (96.0mm)	3.78" (96.0mm)	.650" (16.5mm) – 1.10" (28.0mm)
60	3, 4 & 5 Wire	10.00" (255.0mm)	4.33" (110.0mm)	4.61" (117.0mm)	.650" (16.5mm) – 1.50" (38.0mm)
100	3, 4 & 5 Wire	13.10" (332.0mm)	5.12" (130.0mm)	5.12" (130.0mm)	.950" (24.0mm) – 1.90" (48.0mm)



Mounting Hole

Four Mounting Holes, 5.5mm (.22") 20/30A, 6.5mm (.26") 60/100A

Safeway Watertite Receptacle

Amps	Type	Dimensions:							
		"A"	"B"	"C"	"D"	"E"	"F"	"G"	"H"
20	3 Wire	2.82" (71.5mm)	2.05" (52.0mm)	1.10" (28.0mm)	1.81" (46.0mm)	2.44" (62.0mm)	2.44" (62.0mm)	1.85" (47.0mm)	1.85" (47.0mm)
20	4 Wire	3.19" (81.0mm)	2.05" (52.0mm)	1.10" (28.0mm)	2.36" (60.0mm)	2.95" (75.0mm)	2.95" (75.0mm)	2.36" (60.0mm)	2.36" (60.0mm)
30	3 & 4 Wire	3.78" (96.0mm)	2.56" (65.0mm)	1.06" (27.0mm)	2.36" (60.0mm)	2.95" (75.0mm)	2.95" (75.0mm)	2.36" (60.0mm)	2.36" (60.0mm)
60	3, 4 & 5 Wire	4.29" (109.0mm)	3.27" (83.0mm)	2.05" (52.0mm)	3.54" (90.0mm)	3.94" (100.0mm)	4.21" (107.0mm)	3.03" (77.0mm)	3.35" (85.0mm)
100	3, 4 & 5 Wire	5.12" (130.0mm)	3.78" (96.0mm)	2.52" (64.0mm)	3.54" (90.0mm)	4.49" (114.0mm)	4.49" (114.0mm)	3.54" (90.0mm)	3.54" (90.0mm)

Switch-Rated Connectors (ArcArrest)

Applications

- Food processing
- General industrial
- Shipyards
- Construction sites
- Data centers

ArcArrest devices are plugs and receptacles that provide the safety and functionality of a switch. Plugs and receptacles listed under UL 2682 can operate as switches and be used to disconnect loads while energized because of silver alloy contact tips. The user is completely shielded from this energy because the plug maintains a connection with the receptacle during operation. A twisting motion must be applied by the user to remove the plug after the circuit has been interrupted.



Switch-Rated Connectors

ArcArrest

ENSURE SAFETY WITH THE ArcArrest SWITCH-RATED CONNECTOR SYSTEM.

VISUALLY DE-ENERGIZE EQUIPMENT

The ArcArrest Switch-Rated Connector System delivers the simplest and fastest way to de-energize industrial machines and equipment. There is visual proof, by the plug being separated from the receptacle, that power has been removed.

LINE OF SIGHT DISCONNECT

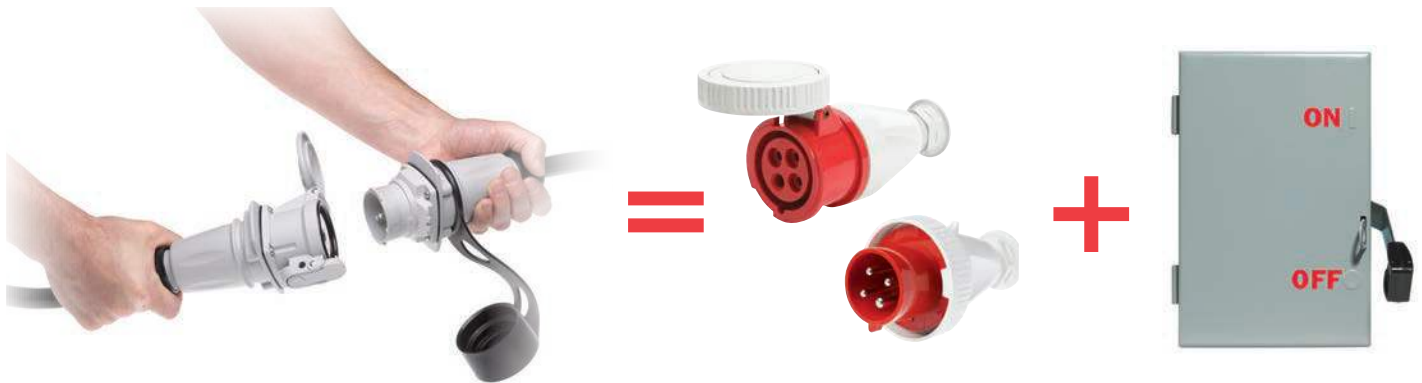
The ArcArrest Switch-Rated Connector System is the local means of disconnect for industrial machinery as required by the NEC and OSHA.

LOCKOUT TAGOUT

Lockout provisions in the plug and receptacle allow for fast and positive compliance with OSHA requirements for LOTO.

ARC FLASH PROTECTION

The ArcArrest receptacle protects workers from arcing energy by maintaining a connection with the plug during connection or disconnection.



Switch-Rated Connectors

ArcArrest

The Safest Connector – The Ideal Motor Disconnect

- UL 2682 power connector that is listed as a branch circuit disconnect switch and motor circuit disconnect switch.
- Upgrade existing twist-lock or pin and sleeve connectors to provide users the utmost in electrical safety. Even when operating under load, there is no exposure to live electrical components or arc flash.

ArcArrest KEY FEATURES AND BENEFITS

Features and Benefits

Inclusion of options such as Max-Loc cord-grip technology, finger drawplates, lock-out holes and plug caps in a smooth, contoured design

- Reduces user costs and simplifies ordering
- Enhances cleanability in food-processing and other harsh environments
- Delivers enhanced durability for use in the toughest industrial application

Laser labelling

- Provides a clean and permanent record of certifications and specifications
- Greatly reduces the harboring of bacteria and dirt in the label versus an adhesive label
- Adhesive labels are susceptible to falling off

Spring-loaded, silver alloy contacts

- Provides the connector system with switching capabilities
- The UL test requires this live switching to occur 6,000 cycles. This proves the connector's ability to last for many years in a typical industrial application

Type 4X and IP69k rated

- Eliminates ingress of dust and water in a variety of harsh industrial environments
- Sealing is automatic when connected
- Achieves sealing while disengaged with closed receptacle lid and plug cap

MARKETS AND APPLICATIONS

Food Processing
Conveyors
Process Equipment
Pumps
Packaging Machines



Data Center



Conveyors

General Industrial
Conveyors
Process Equipment
Welding Receptacles
Power Distribution



Food Processing Plant



Shipyard

Shipyards
Power Distribution

Construction Sites
Power Distribution

Data Centers
Server Rack
Power Supply



* Locks not included.

Switch-Rated Connectors

ArcArrest

Finger drawplates
molded into handles for
easy connector closure

Max-Loc cord
grips integrated
into handles

Laser labeling

Dead front shutter
protects users from
arc flash and contact
with live electrical
components

Mounting angle fits on any
standard FS/FD box

Sharp 70° angle
reduces footprint
and improves safety

Male plugs come
standard with
sealing cap

70°

Plug and receptacle are easily locked out
to provide fast and positive lock-out/tag-out
of machinery.*

Lock-out hole
in female
receptacle
designed
specifically for
1/4" lock shank
diameter



Switch-Rated Connectors

ArcArrest Configurations



1 Product Family

ARC = ArcArrest

2 Current Rating

30 = 30A

60 = 60A

3 Configuration

F = Female Receptacle

FHD = Female Receptacle and Handle with Drawplate

FH = Female Receptacle and Handle without Drawplate

FA = Female Receptacle with 70° Angle

M = Male Inlet

MHD = Male Inlet with Cap and Handle with Drawplate

MH = Male Inlet with Cap and Handle without Drawplate

MA = Male Inlet with 70° Angle

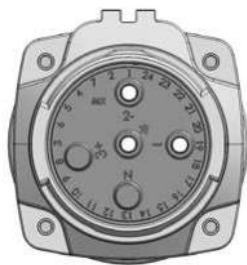
4 Voltage and Poles

Voltage	Poles
A01 = 125	1P+N+G
B02 = 250	2P+G
B03 = 250	3P+G
AB04 = 125/250	2P+N+G
C02 = 208	2P+G
C03 = 208	3P+G
AC05 = 120/208	3P+N+G
D01 = 277	1P+N+G
E02 = 480	2P+G
E03 = 480	3P+G
DE05 = 277/480	3P+N+G
F02 = 600	2P+G
F03 = 600	3P+G
GF05 = 347/600	3P+N+G

VIEW OF PIN CONFIGURATIONS ON A MALE INLET



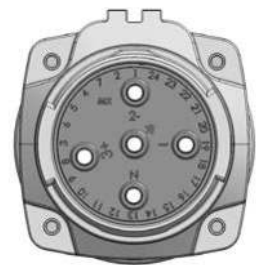
1P+N+G



2P+G



3P+G



3P+N+G

Switch-Rated Connectors

ArcArrest

SPECIFICATIONS

Reference Information

Packaging: Corrugated boxes
 UL File No.: E145922 and E145923
 Designed In: Millimeters
 RoHS: Yes
 Halogen Free: Yes

Electrical – UL 2682 Switch Ratings

Voltage (max.): 600V AC, 60Hz
 Current (max.): See table

Horsepower Ratings:

	30A	60A
125V 1Ø	1 HP	2 HP
250V 1Ø	3 HP	3 HP
250V 3Ø	5 HP	7.5 HP
208V 3Ø	5 HP	7.5 HP
480V 3Ø	10 HP	20 HP
600V 3Ø	N/A	N/A

Physical

Housing: PBT glass filled
 Insulators: PBT glass filled
 Contact: Silver alloy tips brazed to copper-alloy contact bases
 Operating Temperature: -25° to +60°C

Environmental

NEMA Rating: Type 4X
 IEC Rating: IP69K



ORDERING INFORMATION

Female Receptacle Only					
Voltage	Pin Configuration	30 Amp		60 Amp	
		Engineering No.	Order No.	Engineering No.	Order No.
125	1P+N+G	ARC30FA01	112219-0001	ARC60FA01	112217-0001
250	2P+G	ARC30FB02	112219-0002	ARC60FB02	112217-0002
250	3P+G	ARC30FB03	112219-0003	ARC60FB03	112217-0003
125/250	2P+N+G	ARC30FAB04	112219-0004	ARC60FAB04	112217-0004
208	2P+G	ARC30FC02	112219-0005	ARC60FC02	112217-0005
208	3P+G	ARC30FC03	112219-0006	ARC60FC03	112217-0006
120/208	3P+N+G	ARC30FAC05	112219-0007	ARC60FAC05	112217-0007
277	1P+N+G	ARC30FD01	112219-0008	ARC60FD01	112217-0008
480	2P+G	ARC30FE02	112219-0009	ARC60FE02	112217-0009
480	3P+G	ARC30FE03	112219-0010	ARC60FE03	112217-0010
277/480	3P+N+G	ARC30FDE05	112219-0011	ARC60FDE05	112217-0011
600	2P+G	ARC30FF02	112219-0012	ARC60FF02	112217-0012
600	3P+G	ARC30FF03	112219-0013	ARC60FF03	112217-0013
347/600	3P+N+G	ARC30FGF05	112219-0014	ARC60FGF05	112217-0014



Female Receptacle with Handle and Finger Drawplates					
Voltage	Pin Configuration	30 Amp		60 Amp	
		Engineering No.	Order No.	Engineering No.	Order No.
125	1P+N+G	ARC30FHDA01	112219-0015	ARC60FHDA01	112217-0015
250	2P+G	ARC30FHDB02	112219-0016	ARC60FHDB02	112217-0016
250	3P+G	ARC30FHDB03	112219-0017	ARC60FHDB03	112217-0017
125/250	2P+N+G	ARC30FHDA04	112219-0018	ARC60FHDA04	112217-0018
208	2P+G	ARC30FHDC02	112219-0019	ARC60FHDC02	112217-0019
208	3P+G	ARC30FHDC03	112219-0020	ARC60FHDC03	112217-0020
120/208	3P+N+G	ARC30FHDA05	112219-0021	ARC60FHDA05	112217-0021
277	1P+N+G	ARC30FHDD01	112219-0022	ARC60FHDD01	112217-0022
480	2P+G	ARC30FHDE02	112219-0023	ARC60FHDE02	112217-0023
480	3P+G	ARC30FHDE03	112219-0024	ARC60FHDE03	112217-0024
277/480	3P+N+G	ARC30FHDE05	112219-0025	ARC60FHDE05	112217-0025
600	2P+G	ARC30FHDF02	112219-0026	ARC60FHDF02	112217-0026
600	3P+G	ARC30FHDF03	112219-0027	ARC60FHDF03	112217-0027
347/600	3P+N+G	ARC30FHDF05	112219-0028	ARC60FHDF05	112217-0028



Switch-Rated Connectors

ArcArrest

SPECIFICATIONS

Reference Information

Packaging: Corrugated boxes
 UL File No.: E145922 and E145923
 Designed In: Millimeters
 RoHS: Yes
 Halogen Free: Yes

Electrical – UL 2682 Switch Ratings

Voltage (max.): 600V AC, 60Hz
 Current (max.): See table

Horsepower Ratings:

	30A	60A
125V 1Ø	1 HP	2 HP
250V 1Ø	3 HP	3 HP
250V 3Ø	5 HP	7.5 HP
208V 3Ø	5 HP	7.5 HP
480V 3Ø	10 HP	20 HP
600V 3Ø	N/A	N/A

Physical

Housing: PBT glass filled
 Insulators: PBT glass filled
 Contact: Silver alloy tips brazed to copper-alloy contact bases
 Operating Temperature: -25° to +60°C

Environmental

NEMA Rating: Type 4X
 IEC Rating: IP69K



ORDERING INFORMATION

Female Receptacle with 70° FS/FD Box Angle

Voltage	Pin Configuration	30 Amp		60 Amp	
		Engineering No.	Order No.	Engineering No.	Order No.
125	1P+N+G	ARC30FAA01	112219-0043	ARC60FAA01	112217-0043
250	2P+G	ARC30FAB02	112219-0044	ARC60FAB02	112217-0044
250	3P+G	ARC30FAB03	112219-0045	ARC60FAB03	112217-0045
125/250	2P+N+G	ARC30FAAB04	112219-0046	ARC60FAAB04	112217-0046
208	2P+G	ARC30FAC02	112219-0047	ARC60FAC02	112217-0047
208	3P+G	ARC30FAC03	112219-0048	ARC60FAC03	112217-0048
120/208	3P+N+G	ARC30FAAC05	112219-0049	ARC60FAAC05	112217-0049
277	1P+N+G	ARC30FAD01	112219-0050	ARC60FAD01	112217-0050
480	2P+G	ARC30FAE02	112219-0051	ARC60FAE02	112217-0051
480	3P+G	ARC30FAE03	112219-0052	ARC60FAE03	112217-0052
277/480	3P+N+G	ARC30FADE05	112219-0053	ARC60FADE05	112217-0053
600	2P+G	ARC30FAF02	112219-0054	ARC60FAF02	112217-0054
600	3P+G	ARC30FAF03	112219-0055	ARC60FAF03	112217-0055
347/600	3P+N+G	ARC30FAGF05	112219-0056	ARC60FAGF05	112217-0056



Switch-Rated Connectors

ArcArrest

SPECIFICATIONS

Reference Information

Packaging: Corrugated boxes
 UL File No.: E145922 and E145923
 Designed In: Millimeters
 RoHS: Yes
 Halogen Free: Yes

Electrical – UL 2682 Switch Ratings

Voltage (max.): 600V AC, 60Hz
 Current (max.): See table

Horsepower Ratings:

	30A	60A
125V 1Ø	1 HP	2 HP
250V 1Ø	3 HP	3 HP
250V 3Ø	5 HP	7.5 HP
208V 3Ø	5 HP	7.5 HP
480V 3Ø	10 HP	20 HP
600V 3Ø	N/A	N/A

Physical

Housing: PBT glass filled
 Insulators: PBT glass filled
 Contact: Silver alloy tips brazed to copper-alloy contact bases
 Operating Temperature: -25° to +60°C

Environmental

NEMA Rating: Type 4X
 IEC Rating: IP69K



ORDERING INFORMATION

Male Inlet Only					
Voltage	Pin Configuration	30 Amp		60 Amp	
		Engineering No.	Order No.	Engineering No.	Order No.
125	1P+N+G	ARC30MA01	112219-1001	ARC60MA01	112217-1001
250	2P+G	ARC30MB02	112219-1002	ARC60MB02	112217-1002
250	3P+G	ARC30MB03	112219-1003	ARC60MB03	112217-1003
125/250	2P+N+G	ARC30MAB04	112219-1004	ARC60MAB04	112217-1004
208	2P+G	ARC30MC02	112219-1005	ARC60MC02	112217-1005
208	3P+G	ARC30MC03	112219-1006	ARC60MC03	112217-1006
120/208	3P+N+G	ARC30MAC05	112219-1007	ARC60MAC05	112217-1007
277	1P+N+G	ARC30MD01	112219-1008	ARC60MD01	112217-1008
480	2P+G	ARC30ME02	112219-1009	ARC60ME02	112217-1009
480	3P+G	ARC30ME03	112219-1010	ARC60ME03	112217-1010
277/480	3P+N+G	ARC30MDE05	112219-1011	ARC60MDE05	112217-1011
600	2P+G	ARC30MF02	112219-1012	ARC60MF02	112217-1012
600	3P+G	ARC30MF03	112219-1013	ARC60MF03	112217-1013
347/600	3P+N+G	ARC30MGF05	112219-1014	ARC60MGF05	112217-1014



Male Inlet with Handle, Finger Drawplates and Plug Cap					
Voltage	Pin Configuration	30 Amp		60 Amp	
		Engineering No.	Order No.	Engineering No.	Order No.
125	1P+N+G	ARC30MHDA01	112219-1015	ARC60MHDA01	112217-1015
250	2P+G	ARC30MHDB02	112219-1016	ARC60MHDB02	112217-1016
250	3P+G	ARC30MHDB03	112219-1017	ARC60MHDB03	112217-1017
125/250	2P+N+G	ARC30MHDAB04	112219-1018	ARC60MHDAB04	112217-1018
208	2P+G	ARC30MHDC02	112219-1019	ARC60MHDC02	112217-1019
208	3P+G	ARC30MHDC03	112219-1020	ARC60MHDC03	112217-1020
120/208	3P+N+G	ARC30MHDAC05	112219-1021	ARC60MHDAC05	112217-1021
277	1P+N+G	ARC30MHDD01	112219-1022	ARC60MHDD01	112217-1022
480	2P+G	ARC30MHDE02	112219-1023	ARC60MHDE02	112217-1023
480	3P+G	ARC30MHDE03	112219-1024	ARC60MHDE03	112217-1024
277/480	3P+N+G	ARC30MHDE05	112219-1025	ARC60MHDE05	112217-1025
600	2P+G	ARC30MHDF02	112219-1026	ARC60MHDF02	112217-1026
600	3P+G	ARC30MHDF03	112219-1027	ARC60MHDF03	112217-1027
347/600	3P+N+G	ARC30MHDF05	112219-1028	ARC60MHDF05	112217-1028



Switch-Rated Connectors

ArcArrest

30A AUXILIARY SWITCH FOR VARIABLE FREQUENCY DRIVE (VFD) INSTALLATIONS

Switch Operation and Properties

- SPST, Normally Open. Switch closes when the male plug is fully engaged with receptacle.
- **“Last Make, First Break”** Power and ground contacts will close before the switch is closed. When the plug is ejected, the switch will open before the power and ground contacts open.
- 120V AC or 24V DC, 3A max. **Resistive loads only.** Used as a dry contact for VFD enable signal.
- The correct part number male plug with a modified Neutral pin must be used with the Aux switch receptacle. **Standard male plugs cannot be used.**



Versions with auxiliary switches available

Provide remote electrical indication of the circuit being open or closed.

Receptacle		
Description	Engineering No.	Order No.
ARC 30A F 250VAC 2P+G+A	ARC30FB02A	112219-0502
ARC 30A F 250VAC 3P+G+A	ARC30FB03A	112219-0503
ARC 30A F 208VAC 2P+G+A	ARC30FC02A	112219-0505
ARC 30A F 208VAC 3P+G+A	ARC30FC03A	112219-0506
ARC 30A F 480VAC 2P+G+A	ARC30FE02A	112219-0509
ARC 30A F 480VAC 3P+G+A	ARC30FE03A	112219-0510
ARC 30A F 600VAC 2P+G+A	ARC30FF02A	112219-0512
ARC 30A F 600VAC 3P+G+A	ARC30FF03A	112219-0513



Male Inlet		
Description	Engineering No.	Order No.
ARC 30A M 250VAC 2P+G+A	ARC30MB02A	112219-1502
ARC 30A M 250VAC 3P+G+A	ARC30MB03A	112219-1503
ARC 30A M 208VAC 2P+G+A	ARC30MC02A	112219-1505
ARC 30A M 208VAC 3P+G+A	ARC30MC03A	112219-1506
ARC 30A M 480VAC 2P+G+A	ARC30ME02A	112219-1509
ARC 30A M 480VAC 3P+G+A	ARC30ME03A	112219-1510
ARC 30A M 600VAC 2P+G+A	ARC30MF02A	112219-1512
ARC 30A M 600VAC 3P+G+A	ARC30MF03A	112219-1513



Note: Choose Mounting Accessories from page 171

Switch-Rated Connectors

ArcArrest Accessories

SPECIFICATIONS

Reference Information

Packaging: Poly bag
 UL File No.: E145922 and E145923
 Designed In: Millimeters
 RoHS: Yes
 Halogen Free: Yes

Physical

Housing: PBT glass filled
 Operating Temperature: -25° to +60°C
 Cable Range: See installation instructions.

ORDERING INFORMATION

Handles Without Drawplates – Accepts Receptacle or Male Inlet

Description	Order No.
30A Handle without drawplates	112219-6000
60A Handle without drawplates	112217-6000



Handles With Drawplates – Accepts Receptacle or Male Inlet

Description	Order No.
30A Handle with drawplates	112219-6001
60A Handle with drawplates	112217-6001



70° FS/FD Box Angle – Accepts Receptacle or Male Inlet

Description	Order No.
30A Angle	112219-6002
60A Angle	112217-6002



Switch-Rated Connectors

ArcArrest Accessories

SPECIFICATIONS

Reference Information

FD Box
Packaging: Individual box
cULus File No.: E117594

FD Box—Wet Location
Packaging: Individual box
UL File No.: E117594
CSA File No.: LR32159

Physical

FD Box
Box: Rigid Polyvinyl Chloride (PVC)
Entry: 1" Unthreaded with 1/2" and 3/4" reducers
Box Volume: See Ordering Information

FD Box—Wet Location
Box: Glass Filled Polybutylene Terephthalate (PBT)
Entry: Threaded 1", 1/2" and 3/4" Options with Knockouts
Box Volume: 17.3 in.

Mesh Strain Relief
Form Size: F4 1"
Grip Body and Compression Nut: Nylon
Collar and Mesh: Nylon or Stainless Steel

Environmental

FD Box
Enclosure Rating: NEMA 4, 4X, 12P and IEC IP66
FD Box—Wet Location
Rating: Wet industrial duty
Mesh Strain Relief
Rating: Watertite

ORDERING INFORMATION

FD Box				
Color	Gang Configuration	Capacity	Engineering No.	Order No.
Black	Single	426.06cm ³ (26.0 in.3)	455-FD1BLK	130128-0160



FD Box—Wet Location				
Color	Thread Diameter	Knock-Out Openings	Engineering No.	Order No.
Yellow	1/2"	2	452CR	130128-0114
	3/4"	2	453CR	130128-0116
	1"	2	454CR	130128-0119



Cord Grips with mesh are available.
See page 105 for more information.





Woodhead Power Distribution



GFCI



Outlet Boxes

Woodhead Power Distribution



GFCI

GFCI products are required in commercial and industrial applications even when water is not present; they're designed for protection, reliability and safety wherever portable power or power cords are used.



OUTLET BOXES

Woodhead outlet boxes are made of durable vulcanized rubber to withstand harsh industrial elements and deliver years of service anywhere portable or temporary power is required.



Woodhead Power Distribution

GFCI	176
Super-Safeway™ Industrial Duty	• 177
GFCI Super-Safeway™ Technical Information	• 187
Commercial Duty	• 189
GFCI Safeway® Technical Information	• 193
Outlet Boxes	195
Watertite®	
Dual-Sided GFCI Duplex FD Outlet Box	• 196
Quad Outlet Box	• 197
Illuminated Quad Outlet Box.....	• 198
GFCI Four-sided Outlet Box.....	• 199
Pendant Drop.....	• 200
FD Box	• 201
Wet Location FD Boxes	• 202
Dual-Sided and Multiple-Outlet FD Boxes	• 202
Cover Plates.....	• 203
Dual-Sided Duplex Outlet Box, 3000 Series, with Receptacles	
With Receptacles, NEMA 5-15.....	• 204
With Receptacles, NEMA 5-20.....	• 207
Boxes and Cover Plates, Yellow	• 209
Boxes and Cover Plates, Black.....	• 211
3-Phase Stringer	• 212
Angled Outlet and Angled GFCI Outlet Boxes	• 213
Angled and Quad GFCI Outlet Boxes and Cover Plates	• 214
Illuminated Quad (Locator) Outlet Box.....	• 217
Super-Safeway Multi-Tap Strip.....	• 218
Cordset and Pendant Quad Tap	• 219
Super-Safeway Multiple Outlet Boxes	• 220
Super-Safeway Portable Power System	• 221
Hanging Power Box.....	• 222
Accessories/Cable Protection	• 223
Technical Information	224

GFCI

Applications

- Construction Site
- Electrical Service Companies
- Maintenance Departments
- Vending Machines
- Water/Drinking Fountains

GFCI products are required in commercial and industrial applications even when water is not present; Woodhead GFCI products offer enhanced protection, reliability and safety wherever portable power or power cords are used.

Woodhead GFCI products are designed to prevent the occurrences of serious injury or death associated with electrical accidents at construction sites and other rugged industrial settings. Portable GFCI products are equipped with an open-neutral relay that meets OSHA requirements, safeguarding workers and employees against ground faults.



GFCI

Super-Safeway™ GFCI Industrial Duty

15A, NEMA 5-15, SINGLE PHASE

Features and Benefits


- Wide range of plug and connector products assures the proper fit for any application
- Rugged, rain-proof, UV-stabilized enclosure resists abuse, sunlight, oils and chemicals
- Open-neutral sensing relay detects and prevents operation under threatening conditions
- Choose manual reset functionality to protect personnel upon power return or automatic reset functionality to reset lighting and HVAC equipment upon power return
- Highly visible LED indicator confirms even at a distance
- Internal strain relief provides superior hold to keep cord in place at this critical juncture
- Models manufactured after May 5, 2021, include the new code-compliant self-test capability



Specifications

Physical	GFCI Housing: Impact-resistant polycarbonate Cover Face Screws and Washer: Stainless steel Internal Strain Relief: Sealed and strongly resistant to pull-out Cord Type: Yellow SJTW
Environmental	Duty Type: General industrial duty GFCI NEMA Rating: 15A Products—NEMA enclosure rating of 3R
Reference Information	UL/cUL File No.: E66308



Molded Plug and Connector						
Configuration	Current/Voltage	Cord Length	Cord Type	GFCI Reset	Engineering No.	Order No.
 NEMA 5-15	15A 120V	0.61m (2.0')	12/3 SJTW	Manual	15050-1M	130153-0021
		1.83m (6.0')			15050-6M	130153-0038
		7.62m (25.0')			15050-25M	130153-0024
		15.24m (50.0')			15050-50M	130153-0032
		0.61m (2.0')			15050-1A	130153-0020
		1.83m (6.0')		15050-6A	130153-0037	
		7.62m (25.0')		15050-25A	130153-0023	
		15.24m (50.0')		15050-50A	130153-0031	




15A, NEMA 5-15, SINGLE PHASE

Flying Lead						
Current/Voltage	Cord Length	Cord Type	GFCI Reset	Receptacle	Engineering No.	Order No.
15A 120V	0.61m (2.0')	12/3 SJTW	Manual	Single	15051-0M	130153-0267




Field Attachable						
Current/Voltage	Cord Length	Cord Type	GFCI Reset	Receptacle	Engineering No.	Order No.
15A 120V	0.20m (8.0")	12/3 SJTW	Auto	Wiring Terminals	15051-FAA	130153-0293
15A 120V	0.20m (8.0")	12/3 SJTW	Manual	Wiring Terminals	15051-FAM	130153-0297



Molded Plug and Tri-Tap Connector						
Configuration	Current/Voltage	Cord Length	Cord Type	GFCI Reset	Engineering No.	Order No.
 NEMA 5-15	15A 120V	0.61m (2.0')	12/3 SJTW	Manual	15050-3TTM	130153-0030
		1.83m (6.0')			15050-6TTM	130153-0041
		7.62m (25.0')			15050-25TTM	130153-0027
		15.24m (50.0')			15050-50TTM	130153-0035
		0.61m (2.0')			15050-3TTA	130153-0029
		1.83m (6.0')		15050-6TTA	130153-0040	
		7.62m (25.0')		15050-25TTA	130153-0026	
		15.24m (50.0')		15050-50TTA	130153-0034	



Watertite® Plug and Connector						
Configuration	Current/Voltage	Cord Length	Cord Type	GFCI Reset	Engineering No.	Order No.
 NEMA 5-15	15A 120V	0.61m (2.0')	12/3 SJTW	Manual	15052-1M	130153-0059
		0.61m (2.0')		Automatic	15052-1A	130153-0056




15A, NEMA 5-15, SINGLE PHASE

Flying Lead Primary, NEMA 5-15 Receptacle Secondary*						
Current/Voltage	Cord Length	Cord Type	GFCI Reset	Receptacle	Engineering No.	Order No.
15A 120V	0.61m (2.0')	12/3 SJE00W	Manual	Single	—	130153-0227
				Triple	09484	130153-0017


* UL recognized for US and Canada (GFCI body NEMA 4X suitable)



Field Attachable*					
Configuration	Current/Voltage	Cord Length	GFCI Reset	Engineering No.	Order No.
 NEMA 5-15	15A 120V	Field Attachable	Manual	15054M	130153-0100
			Automatic	15054A	130153-0099

* UL recognized for US and Canada



Right Angle Plug and Connector							
Configuration	Current/Voltage	Cord Length	Cord Type	GFCI Reset	Number of Receptacles	Engineering No.	Order No.
 NEMA 5-15	15A 120V	0.61m (2.0')	12/3 SJTW	Manual	1	15054-1M	130153-0092



20A, NEMA 5-20, L5-20 AND L6-20, SINGLE PHASE

Features and Benefits

- Special filter included to minimize nuisance trips in welding, variable frequency drive and other "electrically noisy" applications
- Wide range of plug and connector products assures the proper fit for any application
- Electromagnetic latching mechanism prevents nuisance tripping during rough service applications
- Rugged, rain-proof, UV-stabilized enclosure resists abuse, sunlight, oils and chemicals
- Open-neutral sensing relay detects and prevents operation under threatening conditions
- Choose manual reset functionality to protect personnel upon power return or automatic reset functionality to reset lighting and HVAC equipment upon power return
- Highly visible LED indicator confirms power and fault – even at a distance
- Internal strain relief provides superior hold to keep cord in place at this critical juncture
- Optional Super-Safeway vulcanized rubber multiple outlet box available for application flexibility
- Models manufactured after May 5, 2021, include the new code compliant self-test capability and IP69K rated GFCI body



Specifications

Physical	GFCI Housing: Impact-resistant nylon
	Cover Face Screws and Washer: Stainless steel Internal Strain Relief: Sealed and strongly resistant to pull-out Cord Type: Yellow SJE00W
Environmental	Duty Type: General industrial duty. Enclosure rating IP69K for units manufactured after May 5, 2021
Reference Information	UL/cUL File No.: E66308




20A, Field Attachable, Low Cost						
Current/Voltage	Cord Length	Cord Type	GFCI Reset	Receptacle	Engineering No.	Order No.
20A 120V AC	None	None	Manual	Wiring Terminals	20051-FAM	130153-0300

GFCI body rated NEMA 3R

NEMA 5-20, Flying Leads*					
Current/Voltage	Cord Length	Cord Type	GFCI Reset	Engineering No.	Order No.
20A 120V AC	0.61m (2.0')	12/3 SJE00W	Manual	20051-0M	130153-0110
20A 240V AC	0.61m (2.0')			24052-0M	130153-0154
20A 120V AC	0.61m (2.0')		Automatic	20051-0A	130153-0109
20A 240V AC	0.61m (2.0')			24052-0A	130153-0153


* UL recognized for US and Canada (GFCI body NEMA 4X suitable)


NEMA 5-20, Super-Safeway Plug and Connector†						
Configuration	Current/Voltage	Cord Length	Cord Type	GFCI Reset	Engineering No.	Order No.
 NEMA 5-20	20A 120V	0.61m (2.0')	12/3 SJE00W	Manual	20051-1M	130153-0113
		7.62m (25.0')			20051-25M	130153-0118
		0.61m (2.0')		Automatic	20051-1A	130153-0112


† UL and cUL listed assembly is NEMA 3R rated (GFCI body NEMA 4X suitable)





20A, NEMA 5-20, L5-20 AND L6-20, SINGLE PHASE


NEMA 5-20, Watertite® Plug and Connector*						
Configuration	Current/Voltage	Cord Length	Cord Type	GFCI Reset	Engineering No.	Order No.
 NEMA 5-20	20A 120V	0.61m (2.0')	12/3 SJE00W	Manual	20052-1M	130153-0126
		7.62m (25.0')			20052-25M	130153-0130
		0.61m (2.0')		Automatic	20052-1A	130153-0123
		7.62m (25.0')			20052-25A	130153-0128
IP69K enclosure rating						

NEMA 5-20, Long Flying Lead Primary with a Short Secondary that includes One or Two Connectors							
Configuration	Current/Voltage	Cord Length	Cord Type	GFCI Reset	Secondary Connectors	Engineering No.	Order No.
 NEMA L5-20	20A 120V	1.21m (4.0')	SJE00W	Manual	2, Y-cord	20052-Y-2MH	130153-0286
		6.7m (22.0')				20052-Y-20MH	130153-0279
		9.8m (32.0')				20052-Y-30MH	130153-0283
		14.33m (47.0')				20052-Y-45MH	130153-0284
		19.0m (62.0')				20052-Y-60MH	130153-0285
		6.7m (22.0')			1, single connector	20052-0PM18	130153-0278
		9.8m (32.0')				20052-0PM30	130153-0280
		14.33m (47.0')				20052-0PM45	130153-0281
		19.0m (62.0')				20052-0PM60	130153-0282
						20052-0PM60	130153-0282
§ UL and cUL listed assembly is NEMA 1 rated (GFCI body IP69K suitable)							

NEMA L5-20, Molded Plug and Connector [§]						
Configuration	Current/Voltage	Cord Length	Cord Type	GFCI Reset	Engineering No.	Order No.
 NEMA L5-20	20A 120V	0.61m (2.0')	12/3 SJE00W	Manual	20051-1MLDM	130153-0115
		0.61m (2.0')	12/3 SJE00W	Automatic	20051-1MLDA	130153-0114
§ UL and cUL listed assembly is NEMA 1 rated (GFCI body IP69K suitable)						

NEMA L5-20 Single Primary Lead and 2 or 3 Secondary Leads**							
Configuration	Current/Voltage	Cord Length	Cord Type	GFCI Reset	Secondary Connectors	Engineering No.	Order No.
 NEMA L5-20	20A 120V	0.76m (2.5')	12/3 SO0W	Manual	2	20052-Y-2M	130153-0136
					3	20052-W-2M	130153-0135
** IP69K enclosure rating							

NEMA L6-20, Molded Plug and Connector 240V**						
Configuration	Current/Voltage	Cord Length	Cord Type	GFCI Reset	Engineering No.	Order No.
 NEMA L6-20	20A 240V	0.61m (2.0')	S12/3 SJ0W	Manual	24052-1MLDM	130153-0158
		0.61m (2.0')		Automatic	24052-1MLDA	130153-0157
** IP69K enclosure rating						

NEMA L6-20, Watertite® Plug and Connector 240V**						
Configuration	Current/Voltage	Cord Length	Cord Type	GFCI Reset	Engineering No.	Order No.
 NEMA L6-20	20A 240V	0.61m (2.0')	12/3 SJE00W	Manual	24052-1M	130153-0156
		0.61m (2.0')		Automatic	24052-1A	130153-0155
** IP69K enclosure rating						



30A 120V, NEMA L5-30, SINGLE PHASE

Features and Benefits

- Specifically filtered to minimize nuisance trips in welding, variable frequency drive and other “electrically noisy” applications
- Fixed mount and portable with a wide range of plug and connector products assures the proper fit for any application
- Electromagnetic latching mechanism prevents nuisance tripping during rough service applications
- Rugged, rain-proof, UV-stabilized enclosure resists abuse, sunlight, oils and chemicals
- Open-neutral sensing relay detects and prevents operation under threatening conditions
- Choose manual reset functionality to protect personnel upon power return or automatic reset functionality to reset lighting and HVAC equipment upon power return
- Highly visible LED indicator confirms power and fault—even at a distance
- Internal strain relief provides superior hold to keep cord in place at this critical juncture
- Models manufactured after May 5, 2021, include the new code-compliant self-test capability



Specifications


Physical	GFCI Housing: Impact-resistant nylon
	Cover Face Screws and Washer: Stainless steel
	Internal Strain Relief: Sealed and strongly resistant to pull-out
Environmental	Cord Type: Yellow SJE00W
Reference Information	Duty Type: General industrial duty
	UL/cUL File No.: E66308



Portable Flying Leads					
Current/Voltage	Cord Length	Cord Type	GFCI Reset	Engineering No.	Order No.
30A/120V	0.61m (2.0')	10/3 SJE00W	Automatic	30051-0A	130153-0261
	0.61m (2.0')	10/3 SJE00W	Manual	30051-0M	130153-0262


UL and CSA recognized (GFCI body rated NEMA 6P)



Super-Safeway Plug and Connector†						
Configuration	Current/Voltage	Cord Length	Cord Type	GFCI Reset	Engineering No.	Order No.
 NEMA L5-30	30A 120V	0.61m (2.0')	10/3 SJE00W	Manual	30051-1M	130153-0165
		0.61m (2.0')		Automatic	30051-1A	130153-0164

† UL and cUL listed assembly is NEMA 1 rated (GFCI body is NEMA 6P suitable)



Watertite® Plug and Connector†						
Configuration	Current/Voltage	Cord Length	Cord Type	GFCI Reset	Engineering No.	Order No.
 NEMA L5-30	30A 120V	0.61m (2.0')	10/3 SJE00W	Manual	30052-1M	130153-0175
		0.61m (2.0')		Automatic	30052-1A	130153-0174

† NEMA enclosure rating of 6P



30A 208V, FLYING LEAD, SINGLE PHASE

Features and Benefits

- Specifically filtered to minimize nuisance trips in welding, variable frequency drive and other “electrically noisy” applications
- Fixed mount and portable with a wide range of plug and connector products assures the proper fit for any application
- Electromagnetic latching mechanism prevents nuisance tripping during rough service applications
- Rugged, rain-proof, UV-stabilized enclosure resists abuse, sunlight, oils and chemicals
- Open-neutral sensing relay detects and prevents operation under threatening conditions
- Choose manual reset functionality to protect personnel upon power return or automatic reset functionality to reset lighting and HVAC equipment upon power return
- Highly visible LED indicator confirms power and fault—even at a distance
- Internal strain relief provides superior hold to keep cord in place at this critical juncture
- Models manufactured after May 5, 2021, include the new code-compliant self-test capability



Specifications

Physical	GFCI Housing: Impact-resistant nylon
	Cover Face Screws and Washer: Stainless steel
	Internal Strain Relief: Sealed and strongly resistant to pull-out
	Cord Type: Yellow SJEOOW
Environmental	Duty Type: General industrial duty
Reference Information	UL/cUL File No.: E66308



Portable Flying Leads					
Current/Voltage	Cord Length	Cord Type	GFCI Reset	Engineering No.	Order No.
30A/120V	0.61m (2.0')	10/3 SJEOOW	Automatic	30055-0A	130153-0287
	0.61m (2.0')	10/3 SJEOOW	Manual	30055-0M	130153-0288

UL and CSA recognized (GFCI body rated NEMA 6P)

30A 240V, NEMA L6-30, SINGLE PHASE

Features and Benefits

- Specifically filtered to minimize nuisance trips in welding, variable frequency drive and other “electrically noisy” applications
- Fixed mount and portable with a wide range of plug and connector products assures the proper fit for any application
- Electromagnetic latching mechanism prevents nuisance tripping during rough service applications
- Rugged, rain-proof, UV-stabilized enclosure resists abuse, sunlight, oils and chemicals
- Open-neutral sensing relay detects and prevents operation under threatening conditions
- Choose manual reset functionality to protect personnel upon power return or automatic reset functionality to reset lighting and HVAC equipment upon power return
- Highly visible LED indicator confirms power and fault—even at a distance
- Internal strain relief provides superior hold to keep cord in place at this critical juncture
- Models manufactured after May 5, 2021 include the new code compliant self-test capability



Specifications

Physical	GFCI Housing: Impact-resistant nylon
	Cover Face Screws and Washer: Stainless steel
Environmental Reference Information	Internal Strain Relief: Sealed and strongly resistant to pull-out
	Cord Type: Yellow SJEOOW
	Duty Type: General industrial duty
UL/cUL File No.: E66308	



Flying Leads					
Current/Voltage	Cord Length	Cord Type	GFCI Reset	Engineering No.	Order No.
30A/240V	0.61m (2.0')	10/3 SJEOOW	Automatic	30053-0A	130153-0181
	0.61m (2.0')	10/3 SJEOOW	Manual	30053-0M	130153-0182

UL and CSA recognized (GFCI body rated NEMA 6P)



Super-Safeway Plug and Connector*						
Configuration	Current/Voltage	Cord Length	Cord Type	GFCI Reset	Engineering No.	Order No.
 NEMA L6-30	30A 240V	0.61m (2.0')	10/3 SJEOOW	Manual	30053-1M	130153-0185
		0.61m (2.0')		Automatic	30053-1A	130153-0184

* UL and cUL listed assembly is NEMA 1 rated (GFCI body is NEMA 6P suitable)



Watertite® Plug and Connector†						
Configuration	Current/Voltage	Cord Length	Cord Type	GFCI Reset	Engineering No.	Order No.
 NEMA L6-30	30A 240V	0.61m (2.0')	10/3 SJEOOW	Manual	30054-1M	130153-0194
		0.61m (2.0')		Automatic	30054-1A	130153-0193
		7.62m (25.0')		Automatic	30054-25A	130153-0196

† UL and cUL listed assembly is NEMA 6P rated



Fixed Mount					
Current/Voltage	Lead Length	Lead Type	GFCI Reset	Engineering No.	Order No.
30A/240V	0.61m (24")	10/3 AWG	Automatic	30053-2AF	130153-0265
			Manual	30053-2MF	130153-0266



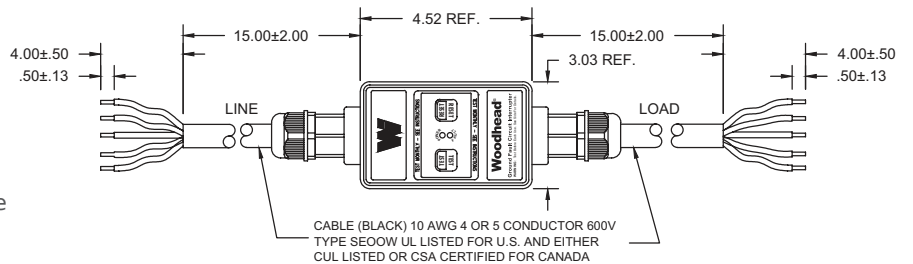
GFCI

Super-Safeway™ GFCI Industrial Duty

30A, MULTIPHASE, PORTABLE

Features and Benefits

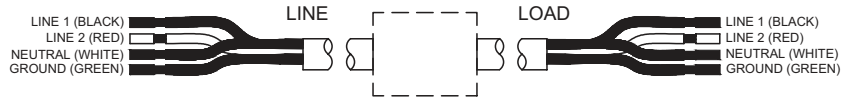
- Specifically filtered to minimize nuisance trips in welding, variable frequency drive and other “electrically noisy” applications
- Portable with a wide range of plug and connector products assures the proper fit for any application
- Electromagnetic latching mechanism prevents nuisance tripping during rough service applications
- Rugged, rainproof, UV-stabilized enclosure resists abuse, sunlight, oils and chemicals
- Open-neutral sensing relay detects and prevents operation under threatening conditions
- Choose manual reset functionality to protect personnel upon power return, or automatic reset functionality to reset lighting and HVAC equipment upon power return
- Highly-visible LED indicator confirms power and fault—even at a distance
- Portable units have internal strain relief to provide superior hold to keep cord in place at this critical juncture
- User-installed plug and receptacle
- Models manufactured after May 5, 2021, include the new code-compliant self-test capability



Specifications

	GCI Housing: Impact-resistant polyester/PVC
	Cover Face Screws and Washer: Stainless steel
	Internal Strain Relief: Sealed and strongly resistant to pull-out
Physical	Line Side Cord: 1', 10 AWG
	Load Side Cord: 1', 10 AWG
	Cable: SEOWW
	Outside Diameter:
	4-conductor—0.55"
	5-conductor—0.76"
Environmental	Duty Type: General industrial duty
	NEMA Rating: Enclosure rating of 4X/6P
Reference Information	cULus File No.: E66308

SPLIT PHASE (120 / 208 VOLTS, 120 / 240 VOLTS) (4-WIRE)



THREE PHASE (NO NEUTRAL) (208 / 240 VOLTS) (4-WIRE)



THREE PHASE (WITH NEUTRAL) (120 / 208 VOLTS) (5-WIRE)



GFCI Reset	Voltage	Phase	Cord	Engineering No.	Order No.	Recommended Woodhead Plug/Receptacle			
						Industrial Grade		Watertite	
						Plug	Receptacle	Plug	Receptacle
Automatic	208V	3P	10/4	30053-0A2P	130153-0253	2875	2975	28W75	29W75
	240V	3P	10/4	30053-0A3P	130153-0252	2875	2975	28W75	29W75
	120 /208V	3P	10/5	30053-0A5P	130153-0254	2881	2981	28W81	29W81
	120/240V	Split Phase	10/4	30053-0A6P	130153-0251	2874	2974	28W74	29W74
Manual	208V	3P	10/4	30053-0M2P	130153-0249	2875	2975	28W75	29W75
	240V	3P	10/4	30053-0M3P	130153-0248	2875	2975	28W75	29W75
	120/208V	3P	10/5	30053-0M5P	130153-0250	2881	2981	28W81	29W81
	120/240V	Split Phase	10/4	30053-0M6P	130153-0247	2874	2974	28W74	29W74

30A, MULTIPHASE, FIXED MOUNT

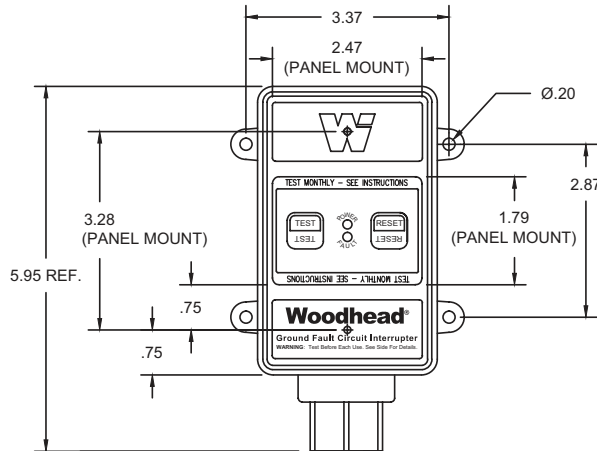
Features and Benefits

- Specifically filtered to minimize nuisance trips in welding, variable frequency drive and other “electrically noisy” applications
- Fixed mount with a wide range of plug and connector products assures the proper fit for any application
- Electromagnetic latching mechanism prevents nuisance tripping during rough service applications
- Rugged, rainproof, UV-stabilized enclosure resists abuse, sunlight, oils and chemicals
- Open-neutral sensing relay detects and prevents operation under threatening conditions
- Choose manual reset functionality to protect personnel upon power return, or automatic reset functionality to reset lighting and HVAC equipment upon power return
- Highly-visible LED indicator confirms power and fault—even at a distance
- Surface or panel mountable
- Models manufactured after May 5, 2021 include the new code compliant self-test capability

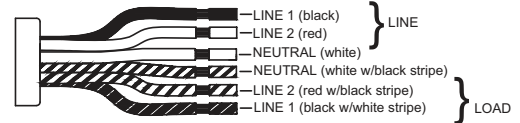


Specifications

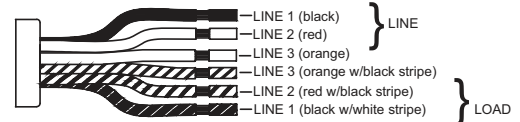
Physical	GCI Housing: Impact-resistant polyester/PVC
	Cover Face Screws and Washer: Stainless steel
	Leads: 24", 10 AWG Fitting: 3/4" NPT
Environmental	Duty Type: General industrial duty
Reference Information	cULus File No.: E66308



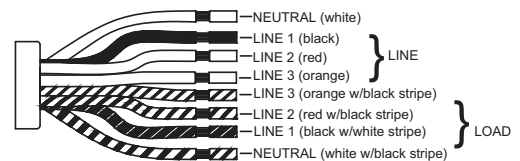
SPLIT PHASE (120 / 208 VOLTS, 120 / 240 VOLTS)



THREE PHASE (NO NEUTRAL) (208 / 240 VOLTS)



THREE PHASE "Y" (WITH NEUTRAL) (120 / 208 VOLTS)

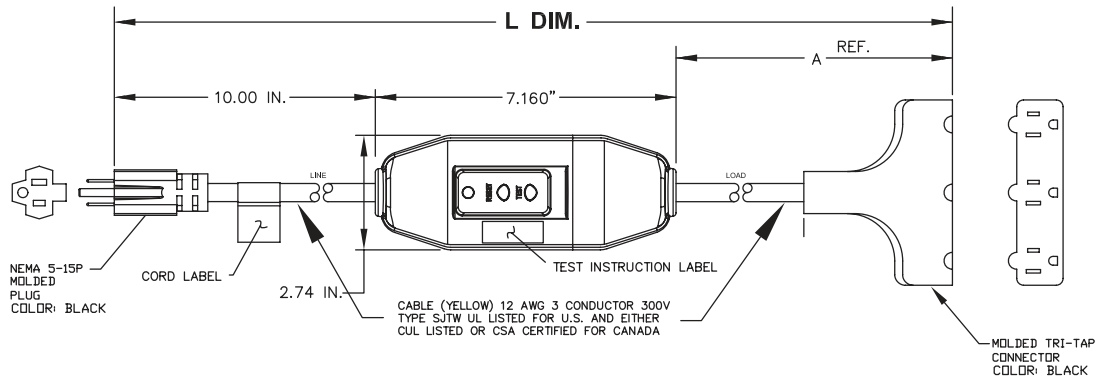


GFCI Reset	Voltage	Phase	Leads	Engineering No.	Order No.
Automatic	208V	3P	10/4	30053-2A2F	130153-0245
	240V	3P	10/4	30053-2A3F	130153-0244
	120 /208V	3P	10/5	30053-2A5F	130153-0246
	120/240V	Split Phase	10/4	30053-2A6F	130153-0243
Manual	208V	3P	10/4	30053-2M2F	130153-0241
	240V	3P	10/4	30053-2M3F	130153-0240
	120/208V	3P	10/5	30053-2M5F	130153-0242
	120/240V	Split Phase	10/4	30053-2M6F	130153-0239

Technical Information

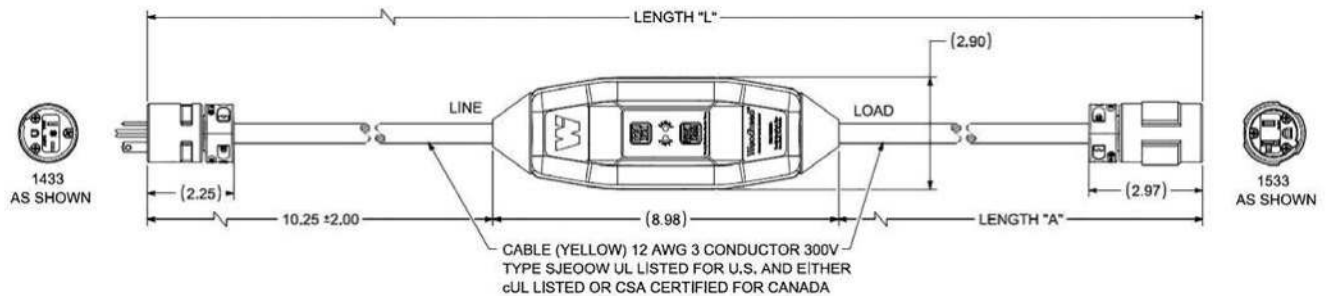
Super-Safeway™ GFCI Industrial Duty

15A IN-LINE



Super-Safeway GFCI 15A				
L Dimension	A Dimension	Power-Up	Engineering No.	Order No.
.70m (2.3')	.31m (1.0')	Auto	15050-3TTA	130153-0029
2.2m (7.3')	1.8m (6.0')		15050-6TTA	130153-0040
8.02m (26.3')	7.62m (25.0')		15050-25TTA	130153-0026
15.6m (51.3')	15.2m (50.0')		15050-50TTA	130153-0034
.70m (2.3')	.31m (1.0')	Manual	15050-3TTM	130153-0030
2.2m (7.3')	1.8m (6.0')		15050-6TTM	130153-0041
8.02m (26.3')	7.62m (25.0')		15050-25TTM	130153-0027
15.6m (51.3')	15.2m (50.0')		15050-50TTM	130153-0035

20A IN-LINE

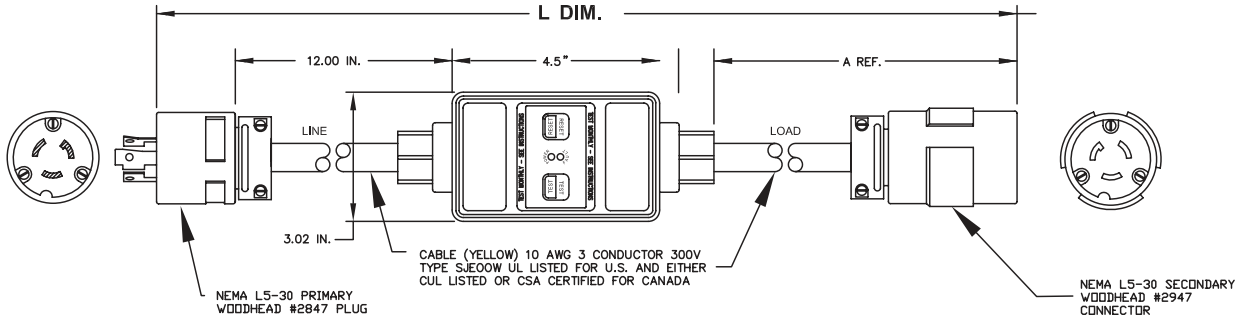


Super-Safeway GFCI 20A						
L Dimension	A Dimension	Power-Up	Line Plug	Load Connector	Engineering No.	Order No.
.75m (2.4')	.31m (1.0')	Auto	None	None	20051-0A	130153-0109
.85m (2.8')	.31m (1.0')		1433	1533	20051-1A	130153-0112
2.4m (7.8')	1.83m (6.0')		1433	1533	20051-6A	130153-0120
8.17m (26.8')	7.62m (25.0')		1433	1533	20051-25A	130153-0117
.75m (2.4')	.305m (1.0')	Manual	None	None	20051-0M	130153-0110
.85m (2.8')	.305m (1.0')		1433	1533	20051-1M	130153-0113
2.4m (7.8')	1.83m (6.0')		1433	1533	20051-6M	130153-0121
8.17m (26.8')	7.62m (25.0')		1433	1533	20051-25M	130153-0118

Technical Information

Super-Safeway™ GFCI Industrial Duty

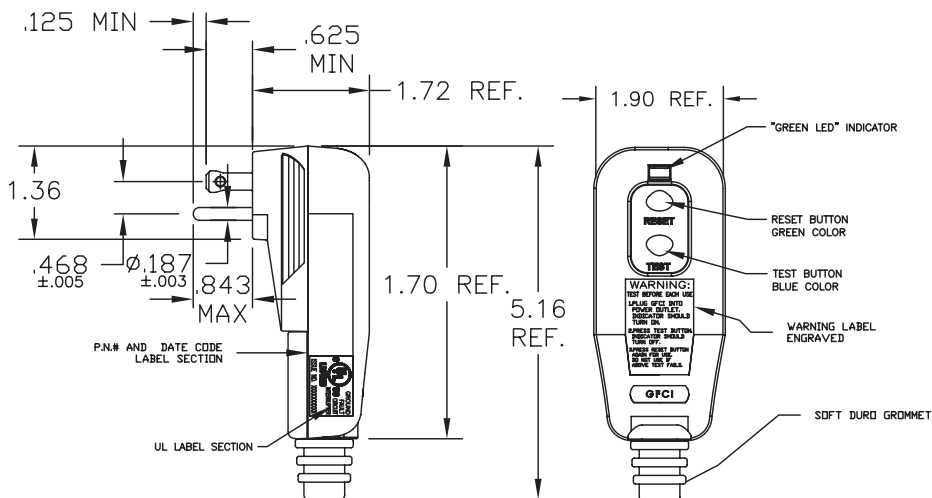
30A IN-LINE



Super-Safeway GFCI 30A

L Dimension	A Dimension	Power-Up	Line Plug	Load Connector	Engineering No.	Order No.
.701m (2.3')	.31m (1.0')	Auto	None	None	30051-0A	130153-0261
.823m (2.7')	.31m (1.0')		2847	2947	30051-1A	130153-0164
2.35m (7.7')	1.8m (6.0')		2847	2947	30051-6A	130153-0171
8.14m (26.7')	7.62m (25.0')		2847	2947	30051-25A	130153-0168
.701m (2.3')	.31m (1.0')	Manual	None	None	30051-0M	130153-0262
.823m (2.7')	.31m (1.0')		2847	2947	30051-1M	130153-0165
2.35m (7.7')	1.8m (6.0')		2847	2947	30051-6M	130153-0172
8.14m (26.7')	7.62m (25.0')		2847	2947	30051-25M	130153-0169

RIGHT ANGLE IN-LINE



Super-Safeway Right Angle

L Dimension	Power-Up	Engineering No.	Order No.
.686m (2.25')	Auto	15054-1A	130153-0091
7.70m (25.25')		15054-25A	130153-0095
.686m (2.25')	Manual	15054-1M	130153-0092
7.70m (25.25')		15054-25M	130153-0096

15A

Features and Benefits

- Wide range of plug and connector products assures the proper fit for any application
- Impact-resistant nylon housing provides high performance at an affordable price
- Manual reset functionality protects personnel upon power return
- Open-neutral sensing relay detects and prevents operation under threatening conditions
- Lighted pushbutton operation provides visual “Ready-to-Run” status
- Spring-loaded contacts assure consistent conductivity and extended life
- Internal strain relief provides excellent hold to keep cord in place at this critical juncture
- Optional Super-Safeway™ vulcanized rubber multiple outlet box available for application flexibility
- Models manufactured after May 5, 2021, include the new code-compliant self-test capability



Specifications

Physical	GFCI Housing: Impact-resistant polycarbonate Cover Face Screws and Washer: Stainless steel Internal Strain Relief: Double C-clamp metal band Cord Type: Yellow SJTW
Environmental	Duty Type: General industrial duty Rating: Rainproof
Reference Information	UL File No.: E66308 CSA File No.: LR6837



Field Attachable			
Configuration	Current/Voltage	Engineering No.	Order No.
Field Attachable	15A/20A 120V	20054	130153-0144




Molded Plug and Connector						
Configuration	Current/Voltage	Cord Length	Cord Type	Number of Receptacles	Engineering No.	Order No.
 NEMA 5-15	15A 120V	0.61m (2.0')	14/3 SJTW	1	15050-1	130153-0019
		1.83m (6.0')		1	15050-6	130153-0036
		7.62m (25.0')		1	15050-25	130153-0022




Molded Plug and Tri-Tap Connector						
Configuration	Current/Voltage	Cord Length	Cord Type	Number of Receptacles	Engineering No.	Order No.
 NEMA 5-15	15A 120V	0.61m (2.0')	12/3 SJTW	3	15050-3TT	130153-0028
		1.83m (6.0')		3	15050-6TT	130153-0039
		7.62m (25.0')		3	15050-25TT	130153-0025
		15.24m (50.0')		3	15050-50TT	130153-0033




15A

Watertite® Plug and Connector						
Configuration	Current/Voltage	Cord Length	Cord Type	Number of Receptacles	Engineering No.	Order No.
 NEMA 5-15	15A 120V	0.61m (2.0')	14/3 SJTW	1	15052-1	130153-0054
		1.83m (6.0')		1	15052-6	130153-0067
		7.62m (25.0')		1	15052-25	130153-0060
		15.24m (50.0')		1	15052-50	130153-0064




Outlet Box							
Configuration	Current/Voltage	Cord Length	Cord Type	Flip-Lid	Number of Receptacles	Engineering No.	Order No.
 NEMA 5-15	15A 120V	0.61m (2.0')	12/3 SJTW	No	4	15053-2	130153-0071



Weather-Resistant Outlet Box							
Configuration	Current/Voltage	Cord Length	Cord Type	Flip-Lid	Number of Receptacles	Engineering No.	Order No.
 NEMA 5-15	15A 120V	0.61m (2.0')	12/3 SJTW	Yes	4	15053W-2	130153-0080



Right Angle Plug						
Configuration	Current/Voltage	Cord Length	Cord Type	Number of Receptacles	Engineering No.	Order No.
Field Attachable	15A 120V	—	—	—	15054	130153-0089
 NEMA 5-15		0.61m (2.0')	14/3 SJTW	1	15054-1	130153-0090



20A

Features and Benefits

- Wide range of plug and connector products assures the proper fit for any application
- Impact-resistant nylon housing provides high performance at an affordable price
- Manual reset functionality protects personnel upon power return
- Open-neutral sensing relay detects and prevents operation under threatening conditions
- Lighted pushbutton operation provides visual “Ready-to-Run” status
- Spring-loaded contacts assure consistent conductivity and extended life
- Internal strain relief provides excellent hold to keep cord in place at this critical juncture
- Optional Super-Safeway™ vulcanized rubber multiple outlet box available for application flexibility
- Models manufactured after May 5, 2021, include the new code-compliant self-test capability



Specifications

Physical	GFCI Housing: Impact-resistant polycarbonate Cover Face Screws and Washer: Stainless steel Internal Strain Relief: Double C-clamp metal band Cord Type: Yellow SJTW
Environmental	Duty Type: General industrial duty Rating: Rainproof
Reference Information	UL File No.: E66308 CSA File No.: LR6837



Field Attachable			
Configuration	Current/Voltage	Engineering No.	Order No.
Field Attachable	15A/20A 120V	20054	130153-0144

Super-Safeway™ Plug and Connector						
Configuration	Current/Voltage	Cord Length	Cord Type	Number of Receptacles	Engineering No.	Order No.
 NEMA 5-20	20A 120V	0.61m (2.0')	12/3 SJTW	1	20051-1	130153-0111
		1.83m (6.0')		1	20051-6	130153-0119
		7.62m (25.0')		1	20051-25	130153-0116
 NEMA L6-20	20A 240V	0.61m (2.0')		1	20054-1	130153-0145

Outlet Box						
Configuration	Current/Voltage	Cord Length	Cord Type	Number of Receptacles	Engineering No.	Order No.
 NEMA 5-20	20A 120V	0.61m (2.0')	12/3 SJTW	4	20053-2	130153-0137

Weather-Resistant Outlet Box							
Configuration	Current/Voltage	Cord Length	Cord Type	Flip-Lid	Number of Receptacles	Engineering No.	Order No.
 NEMA 5-20	20A 120V	0.61m (2.0')	12/3 SJTW	Yes	4	20053W-2	130153-0140



30A

Features and Benefits


- Wide range of plug and connector products assures the proper fit for any application
- Impact-resistant nylon housing provides high performance at an affordable price
- Manual reset functionality protects personnel upon power return
- Open-neutral sensing relay detects and prevents operation under threatening conditions
- Lighted pushbutton operation provides visual “Ready-to-Run” status
- Spring-loaded contacts assure consistent conductivity and extended life
- Internal strain relief provides excellent hold to keep cord in place at this critical juncture
- Models manufactured after May 5, 2021, include the new code-compliant self-test capability



Specifications

Physical	GFCI Housing: Impact-resistant polycarbonate Cover Face Screws and Washer: Stainless steel Internal Strain Relief: Double C-clamp metal band Cord Type: Yellow SJTW
Environmental	Duty Type: General industrial duty Rating: Rainproof
Reference Information	UL File No.: E66308 CSA File No.: LR6837



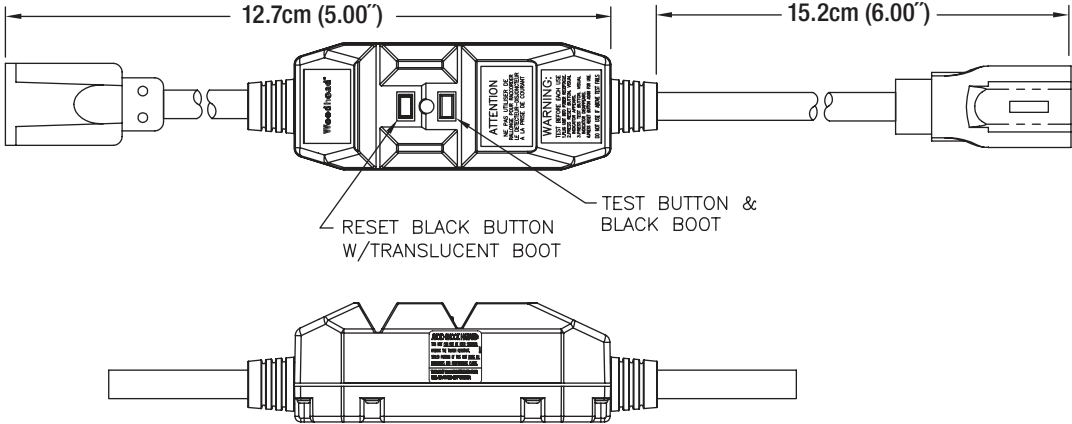
Super-Safeway™ Plug and Connector					
Configuration	Current/Voltage	Cord Length	Cord Type	Engineering No.	Order No.
 NEMA L5-30	30A 240V	0.61m (2.0')	10/3 SJTW	30051-1	130153-0163

Technical Information

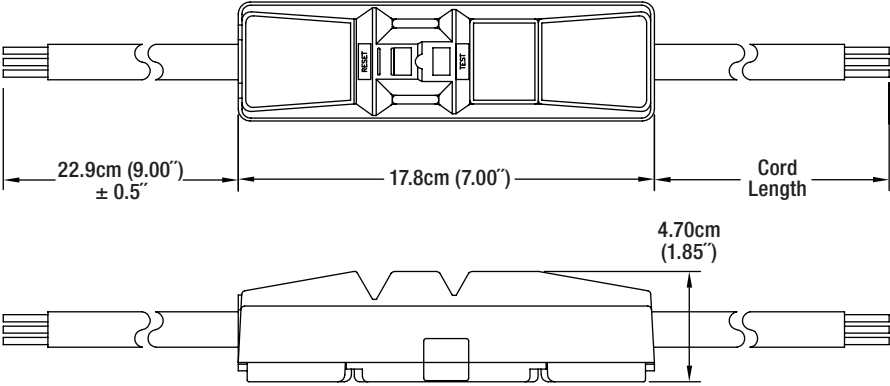
Safeway® GFCI Commercial Duty

IN-LINE

Safeway GFCI 15A, 20A



Safeway GFCI 30A

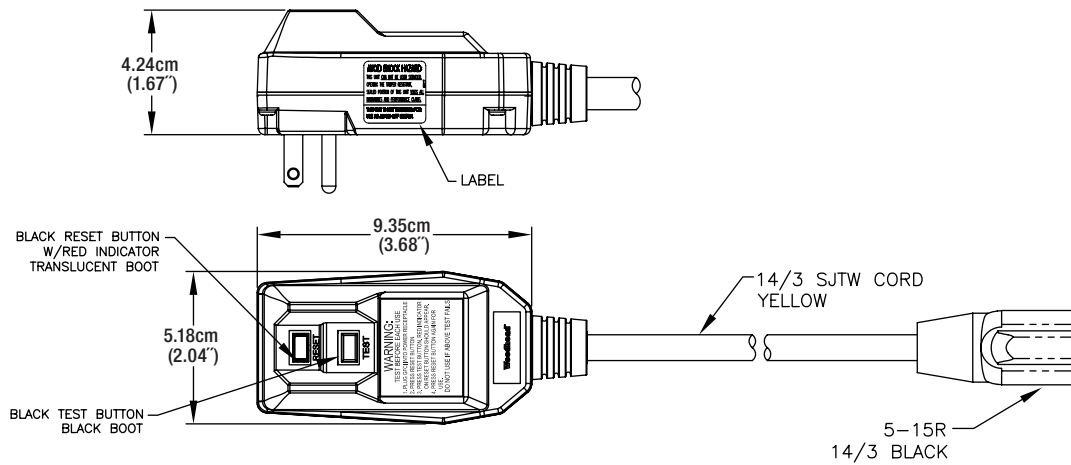


Technical Information

Safeway® GFCI Commercial Duty

IN-LINE

Safeway GFCI Right Angle



Outlet Boxes

Applications

- Assembly stations
- Construction sites
- Facility maintenance
- Shipyards
- Work benches
- Workstations

Woodhead® outlet boxes, made of durable Advanced Vulcanized rubber to withstand harsh industrial elements, deliver years of service anywhere portable or temporary power is required.

Woodhead outlet boxes provide options for pre-wired solutions or components of dead-end boxes, feed-through boxes, cover plates, flip-lid covers, Max-Loc® or cord-clamp connections, customizable to all applications. The multiple outlet-box products serve needs from single- or double-duplex receptacle solutions to multi-tap outlet boxes for numerous plug-in applications. With the various configurations available, Woodhead can provide an outlet box that meets your specific needs.



Outlet Boxes

Watertite® Dual-Sided GFCI Duplex

FD OUTLET BOX

Features and Benefits

- Advanced Vulcanized rubber portable outlet boxes yield the best performance for abrasion, chemical exposure and temperature extremes
- Industrial-duty receptacles yield long-term performance
- MAX-LOC® cord grip provides superior strain relief for long life
- Lids with spring-loaded closure caps for increased protection
- Manual reset, self-test capable GFCI protection complete with an open-neutral sensing relay (contained within the back side)
- Select a ground continuity monitor light to ensure good ground from power source
- High-performance SOOW cords are standard for optimum performance
- Plug matches receptacle type for application consistency
- When properly mated with a Woodhead® Watertite plug, the connector or receptacle connection meets the requirements of NEMA Type 4X

Specifications



Physical	Box Housing and Plug Body: Advanced Vulcanized rubber
	Receptacles: Industrial-duty single receptacles
	Receptacle Cover Plate and Closure Caps: Lexan*
	GFCI Cover Plate: Silicone
	Cover Screws and Lid Springs: Stainless steel
	Cord: Rubber SOOW
	Cord Connection: MAX-LOC nylon strain relief with rubber grommet
	Plug Body: Watertite Advanced Vulcanized rubber with nylon insert and stainless steel screws
	Open-Neutral Relay: Yes

Environmental Rating: Wet industrial duty

* Trademark of SABIC Innovative Plastics IP BV



Dual-Sided, Duplex Receptacle, FD Outlet Box

NEMA Configuration and Rating	Amps/Hz/Volts	Cord Length	Cord Type	Ground Continuity Monitor	Number of Duplex Receptacles	Engineering No.	Order No.
 NEMA 5-15	15A 50/60 Hz 120V	1.83m (6.0')	14/3 SOOW	—	1	3301GFL143	130137-0224
		1.83m (6.0')	14/3 SOOW	Yes	1	3301GGFL143	130137-0227
		7.62m (25.0')	14/3 SOOW	—	1	3301GFA143	130137-0221
		7.62m (25.0')	14/3 SOOW	Yes	1	3301GGFA143	130137-0225
		15.24m (50.0')	14/3 SOOW	—	1	3301GFB143	130137-0222
		15.24m (50.0')	14/3 SOOW	Yes	1	3301GGFB143	130137-0226
		30.48m (100.0')	14/3 SOOW	—	1	3301GFD143	130137-0223
 NEMA 5-20	20A 50/60 Hz 120V	1.83m (6.0')	12/3 SOOW	Yes	1	3304GGFL123	130137-0240
		1.83m (6.0')	12/3 SOOW	—	1	3304GFL123	130137-0237
		7.62m (25.0')	12/3 SOOW	Yes	1	3304GGFA123	130137-0238
		7.62m (25.0')	12/3 SOOW	—	1	3304GFA123	130137-0234
		15.24m (50.0')	12/3 SOOW	—	1	3304GFB123	130137-0235
		30.48m (100.0')	12/3 SOOW	—	1	3304GFD123	130137-0236

Outlet Boxes

Watertite®

QUAD OUTLET BOX

Features and Benefits

- Advanced Vulcanized rubber portable outlet boxes yield the best performance for abrasion, chemical exposure and temperature extremes
- Four industrial-duty receptacles yield long-term performance
- Watertite closure caps for increased protection
- High-performance SOOW cords are standard for optimum performance
- Plug matches receptacle type for application consistency
- When properly mated with a Woodhead® Watertite plug, the connector or receptacle connection meets the requirements of NEMA Type 4X
- Universal ground ring and wires provided for ease of wiring




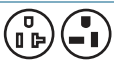


Specifications

Physical	Box Housing, Cover Plate and Plug Body: Advanced Vulcanized rubber
	Receptacles: Industrial-duty nylon single receptacles
Environmental	Cover Face Screws: Stainless steel
	Cord: Rubber
	Cord Connection: MAX-LOC nylon strain relief with rubber grommet
	Plug Body: Watertite Advanced Vulcanized rubber with nylon insert and stainless steel screws

Environmental Rating: Wet industrial duty

Reference Information CSA File No.: LR6837



Heavy Duty Outlet Box							
NEMA Configuration and Rating	Amps/Hz/Volts	Cord Length	Cord Type	Closure Caps	Cord Diameter	Engineering No.	Order No.
 NEMA 5-15	15A 50/60 Hz 120V	—	—	—	11.1–17.5mm (.437–.687")	32W47	130135-0230
		7.62m (25.0')	12/3 SOOW	Yes	—	32W47A123	130135-0231
 NEMA 5-20	20A 50/60 Hz 120V	—	—	—	11.1–17.5mm (.437–.687")	32W33	130135-0228
 NEMA L5-15	15A 50/60 Hz 120V	—	—	—	11.1–17.5mm (.437–.687")	35W47	130135-0317
 NEMA L7-15	15A 50/60 Hz 277V	—	—	—	11.1–17.5mm (.437–.687")	35W34	130135-0316

Outlet Boxes

Watertite® Illuminated Quad (Locator)

ILLUMINATED QUAD OUTLET BOX

Features and Benefits

- Advanced Vulcanized rubber portable outlet boxes yield the best performance for abrasion, chemical exposure and temperature extremes
- Industrial-duty receptacles yield long-term performance
- Watertite closure caps for increased protection
- MAX-LOC® stainless steel strain relief included as standard to provide maximum cord pull-out resistance
- High-performance SOOW cords are standard for optimum performance
- Plug matches receptacle type for application consistency
- When properly mated with a Woodhead® Watertite plug, the connector or receptacle connection meets the requirements of NEMA Type 4X



Specifications

Physical	Box Housing, Cover Plate, Bulb Socket, Recessed Bumpers and Plug Body: Advanced Vulcanized rubber
	Receptacles: Industrial-duty nylon single receptacles
Environmental	Cover Gasket: Neoprene
	Light bulb socket: Standard edison type
	Globe Assembly: Teflon®
	Hinged Hook: Polypropylene
	Cover Face Screws: Stainless steel
	Cord: Rubber
	Cord Connection: MAX-LOC strain relief with stainless steel mesh, nylon compression nut with rubber grommet
	Plug Body: Watertite Advanced Vulcanized rubber with nylon insert and stainless steel screws
	Meets NFPA 1901 Requirements
	Rating: Wet industrial duty
Reference Information	CSA File No.: LR6837



Illuminated Quad (Locator) Outlet Box

NEMA Configuration and Rating	Amps/Hz/Volts	Cord Length	Cord Type	Number of Single Receptacles	Cord Diameter	Engineering No.	Order No.
 NEMA 5-15	15A 50/60 Hz 120V	—	—	4	11.1-17.5mm (.437-.687")	32W90-1	130135-0233
		0.305m (1.0')	14/3 SOOW	4	—	32W90-1E143	130135-0234
		15.24m (50.0')	14/3 SOOW	4	—	32W90-1B143	130135-0329
 NEMA L5-15	15A 50/60 Hz 120V	—	—	4	11.1-17.5mm (.437-.687")	32W90-2	130135-0235
		0.305m (1.0')	14/3 SOOW	4	—	32W90-2E143	130135-0236

Outlet Boxes

Watertite®

GFCI FOUR-SIDED OUTLET BOX

Features and Benefits

- Workstation is molded of high-strength, non-conductive, glass-reinforced polyester
- Four industrial-duty receptacles yield long-term performance
- Self-test capable GFCI protection complete with an open-neutral sensing relay to prevent operation under life-threatening conditions
- MAX-LOC® stainless steel strain relief included as standard to provide maximum cord pull-out resistance
- Six feet of high performance SOOW cord are standard for optimum performance
- When properly mated with a Woodhead® Watertite plug, the connector or receptacle connection meets the requirements of NEMA Type 4X






Specifications

Physical
 Workstation Body: Glass-reinforced polyester
 Industrial-Duty Receptacles: Nylon
 Cover and Receptacle Face Screws: Stainless steel
 Cord: Rubber, 15A is 14/3 SOOW, 20A is 12/3 SOOW
 Cord Connection: MAX-LOC strain relief with stainless steel mesh, nylon compression nut with rubber grommet

Environmental Rating: Wet industrial/commercial duty

Reference Information
 UL File No.: E10176 (Housing)
 CSA File No.: LR6837



GFCI Portable Workstation						
Side A GFCI Configuration	NEMA Configuration and Rating	Side B Configuration	Side C Configuration	Amps/Hz/Volts	Engineering No.	Order No.
Duplex NEMA 5-15	 NEMA 5-15	Duplex NEMA 5-15	Duplex NEMA 5-15	15A 50/60 Hz 120V	3493	130135-0314
Duplex NEMA 5-20	 NEMA 5-20	Duplex NEMA 5-20	Duplex NEMA 5-20	20A 50/60 Hz 120V	3494	130135-0315
Duplex NEMA 5-20	 NEMA L5-20	Single NEMA L5-20	Single NEMA L5-20	20A 50/60 Hz 120V	3492	130135-0313

Outlet Boxes

Watertite® Pendant Drop

15A OR 20A 125V

Features and Benefits




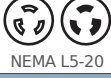
- Advanced Vulcanized rubber portable pendant drop yields the best performance for abrasion, chemical exposure and temperature extremes
- Pre-wired, one or two industrial-duty, single receptacles recessed for indoor or outdoor use designed to save you time
- Watertite receptacles certified to provide protection for damp or wet locations and keep personnel safe
- MAX-LOC® non-metallic strain relief included as standard to provide maximum cord pull-out resistance atop the pendant
- Woodhead® hanging double eye support grip included for ease of installation
- High-performance SOOW cords are standard for optimum performance
- When properly mated with a Woodhead® Watertite plug, the connector or receptacle connection meets the requirements of NEMA Type 4X



Specifications

Physical
 Pendant Housing: Watertite Advanced Vulcanized rubber
 Receptacles: Nylon industrial duty
 Cover Face Screws and Cover Springs: Stainless steel
 Cord: Rubber 14/3 or 12/3 SOOW
 Strain Relief, Pendant: Heavy-duty MAX-LOC nylon mesh and F3 3/4" compression nut

Environmental Rating: Wet industrial duty

Pendant Drop								
NEMA Configuration and Rating	Amps/Hz/Volts	Cord Length	Cord Type	GFCI*	GFCI Reset	Number of Receptacles†	Engineering No.	Order No.
 NEMA 5-15	15A 50/60 Hz 120V	1.83m (6.0')	14/3 SOOW	—	—	2	70W47L143	130138-0085
		1.83m (6.0')	14/3 SOOW	Yes	Manual	1	70W47L143GF	130138-0086
		4.57m (15.0')	14/3 SOOW	—	—	2	70W47M143	130138-0087
		4.57m (15.0')	14/3 SOOW	Yes	Manual	1	70W47M143GF	130138-0088
		7.62m (25.0')	14/3 SOOW	Yes	Manual	1	70W47A143GF	130138-0083
 NEMA 5-20	20A 50/60 Hz 120V	1.83m (6.0')	12/3 SOOW	—	—	2	70W33L123	130138-0079
		4.57m (15.0')	12/3 SOOW	—	—	2	70W33M123	130138-0081
		4.57m (15.0')	12/3 SOOW	Yes	Manual	1	70W33M123GF	130138-0082
		7.62m (25.0')	12/3 SOOW	—	—	2	70W33A123	130138-0076
		7.62m (25.0')	12/3 SOOW	Yes	Manual	1	70W33A123GF	130138-0077
 NEMA L5-15	15A 50/60 Hz 120V	1.83m (6.0')	14/3 SOOW	—	—	2	75W47L143	130135-0322
 NEMA L5-20	20A 50/60 Hz 120V	4.57m (15.0')	12/3 SOOW	Yes	Manual	1	77W47M123GF	130138-0095

* GFCI Pendant Drop does not feature open-neutral sensing relay
 † 2 = Duplex
 1 = Single

Outlet Boxes

Watertite®

FD BOX

Features and Benefits

- Deep box design provides 30% more capacity volume over FS boxes
- Three configurations available for installation flexibility
- NEMA 4, 4X, 12P, IP66 rated for harsh environments
- Dynamically vulcanized thermoplastic (TPV) gaskets provide maximum watertight and dust-tight seal between frame and box
- 1" diameter unthreaded conduit openings, with ¾" and ½" reducers (includes closure plugs for unused openings) provide design flexibility with multiple conduit types
- Modular frame design allows for custom configuration for power distribution boxes specific to customers' applications
- Stainless-steel mounting plates provide corrosion resistance in harsh environments

Specifications

Physical	Box Housing: Rigid polyvinyl chloride (PVC)
	Box: Reducers/Plugs: Rigid polyvinyl chloride (PVC)
	Frame: Polybutylene terephthalate (PBT)
	Gasket: Santoprene TPV
	Threaded Inserts: Brass
Environmental	Mounting Plate: Stainless steel
	Color: Yellow or black
	Grounding Wire (Green): 12 AWG, stranded copper, 0.203m (8") long
Reference Information	Duty Type: General industrial duty
	Enclosure Rating: NEMA 4, 4X, 12P, IEC IP66
Reference Information	Packaging: Individual box
Reference Information	cULus File No.: E117594



FD Box				
Color	Gang Configuration	Capacity	Engineering No.	Order No.
Yellow	Single	426.06cm ³ (26.0 in ³)	455-FD1	130128-0150
Black	Single	426.06cm ³ (26.0 in ³)	455-FD1BLK	130128-0160



Schedule 40 Threaded Adapter					
Thread Diameter	Material	Pkg Qty	Length	Engineering No.	Order No.
½"	PVC	10	37.3mm (1.47")	455-TA50	130128-0167
¾"		10	40.9mm (1.61")	455-TA75	130128-0168



Outlet Boxes

Watertite® Corrosion Resistant FD Boxes

WET LOCATION FD BOXES

Features and Benefits

- Boxes molded of high-strength, non-conductive, glass-filled polyester
- All metal hardware on boxes made from stainless steel to provide stable anchor points and corrosion resistance
- Entry/exit points pre-threaded with knock-outs for quick, flexible installation
- Grounding wires included and pre-installed to save time on installation

Specifications

Physical	Replacement Covers for Watertite Flip Lid Receptacles, Receptacle Cover Plate and Closure Caps: Lexan*
	Cover seal provided through the Watertite Advanced Vulcanized rubber interface
	Cover Screws and Lid Springs: Stainless steel
	Box Volume: 17.3 in. ³
Environmental	Rating: Wet industrial duty
Reference Information	UL File No.: E117594 CSA File No.: LR32159



* Trademark of SABIC Innovative Plastics IP BV



Thread Diameter	Knock-Out Openings	Color	Engineering No.	Order No.
½"	2	Yellow	452CR	130128-0114
¾"	2	Yellow	453CR	130128-0116
1"	2	Yellow	454CR	130128-0119

DUAL-SIDED AND MULTIPLE-OUTLET FD BOXES

Features and Benefits

- Advanced Vulcanized rubber portable pendant drop yields the best performance for abrasion, chemical exposure and temperature extremes

Specifications

Physical	Advanced Vulcanized rubber
Environmental	Rating: Wet industrial duty
Reference Information	CSA File No.: LR6837 (except for 3066)



Cord Diameter	Cord Grip Body Size	Feed-Thru	Housing	Engineering No.	Order No.
12.70–19.05mm (.500–.750")	F3 ¾"	No	Rubber	3065	130137-0150
12.70–19.05mm (.500–.750")	F3 ¾"	Yes	Rubber	3066	130138-0034

Outlet Boxes

Watertite® Cover Plates

COVER PLATES FOR FS/FD BOXES

Features and Benefits

- Corrosion-resistant FD box cover plates
- Blank standard cover plate supplied with neoprene gasket
- Cover available with 15/20A 120V manual reset GFCI
- Clear/opaque cover plate with metallic support plate to provide strength

- Clear/opaque GFCI cover plate is silicone to provide excellent corrosion resistance

Specifications

Reference Information UL File No.: E117594
(cover plates)



Cover Plate	Current/Voltage	GFCI	Engineering No.	Order No.
Clear Silicone Watertite®	20A 120V	Yes	3362GF	130137-0241
Clear Silicone Watertite		No	3362	130138-0047
Black Phenolic Heavy Duty		No	459*	130138-0004

* UL File No.: E117594

REPLACEMENT COVERS FOR WATERTITE FLIP LID RECEPTACLES

Features and Benefits

- UV-stabilized polycarbonate with mounting plates
- All exposed metal is stainless steel

Specifications

Reference Information UL File No.: E46237



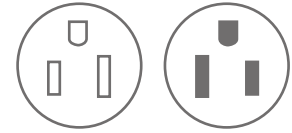
6702/6902
2-Hole Insert

6503/6703/6903
3-Hole Insert

Description	Duplex/Single	Engineering No.	Order No.
Fits duplex, all 15A, 20A straight blade	Duplex	40-9100	130186-0535
Fits all 15A and 20A straight blade	Single	6503	130155-0107
Fits all 20A locking 2-hole connector inserts	Single	6702	130085-0358
Fits all 20A locking 3-hole connector inserts	Single	6703	130155-0109
Fits all 30A locking 2-hole connector inserts	Single	6902	130155-0017
Fits all 30A locking 3-hole connector inserts	Single	6903	130155-0018

Outlet Boxes

Super-Safeway™ Dual-Sided Duplex Outlet Box, Series 3000, with Receptacles



15A 120V, STANDARD DEPTH (3³/₈"), NEMA 5-15

Features and Benefits

- Advanced Vulcanized rubber portable outlet boxes yield the best performance for abrasion, chemical exposure and temperature extremes
- Industrial-duty, duplex receptacles yield long-term performance
- Two-piece cord-clamp strain relief to firmly secure the cord as standard, or select a MAX-LOC® cord grip together with weather-resistant flip lids for increased protection
- High-performance SOOW cords are standard for optimum performance
- Corded versions include a NEMA 5-15 plug

Specifications

Physical	Box Housing and Plug Body: Advanced Vulcanized rubber
	Receptacles: Industrial duty
	Receptacle Cover Plate: Nylon/polycarbonate
	For Box-Only Version: Pre-wired
	Cover and Receptacle Face Screws: Stainless steel
Environmental	Cord: Rubber 12/3 or 14/3 SOOW
	Cord Connection: MAX-LOC nylon strain relief with rubber grommet
	Rating: General industrial duty
	Reference Information
Reference Information	UL File No.: E46237
Reference Information	CSA File No.: LR6837



Standard Depth (3 ³ / ₈ ") No Flip Lids or MAX-LOC Cord Grips									
Cord Grip	Cord Length	Cord Type	GFCI	GFCI Reset	Number of Duplex Receptacles	Open Neutral Relay	Cord Diameter	Engineering No.	Order No.
Double C-Clamp	—	—			2		8.26–16.64mm (.325–.655")	3000-1	130137-0088
Double C-Clamp	0.305m (1.0')	14/3 SOOW			2			3000-1E143	130137-0100
Double C-Clamp	1.83m (6.0')	14/3 SOOW			2			3000-1L143	130137-0101
Double C-Clamp	7.62m (25.0')	14/3 SOOW			2			3000-1A143	130137-0095
Double C-Clamp	15.24m (50.0')	14/3 SOOW			2			3000-1B143	130137-0097
Double C-Clamp	1.83m (6.0')	14/3 SOOW	Yes-In-Line	Manual	2	Yes		3000-1L143IN	130137-0102



Standard Depth (3 ³ / ₈ ") with Flip Lids and MAX-LOC Cord Grips							
Cord Grip	Cord Length	Cord Type	Number of Duplex Receptacles	Cord Diameter	Engineering No.	Order No.	
F2 1/2"	—	—	2	7.92–15.88mm (.312–.625")	3005-1	130137-0127	
F2 1/2"	0.305m (1.0')	14/3 SOOW	2	—	3005-1E143	130137-0132	
F2 1/2"	7.62m (25.0')	14/3 SOOW	2	—	3005-1A143	130137-0128	
F2 1/2"	15.24m (50.0')	14/3 SOOW	2	—	3005-1B143	130137-0130	



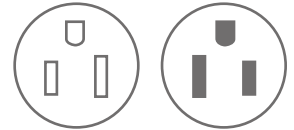
Standard Depth (3 ³ / ₈ ") Feed-Thru with MAX-LOC Cord Grips, No Flip Lids					
Cord Grip	Feed-Thru	Number of Duplex Receptacles	Cord Diameter	Engineering No.	Order No.
F2 1/2"	Yes	Cover plates only	7.92–15.88mm (.312–.625")	3000F	130137-0115



Outlet Boxes

Super-Safeway™ Dual-Sided Duplex Outlet Box, Series 3000, with Receptacles

15A 120V, EXTENDED DEPTH (4³/₈"), NEMA 5-15



Features and Benefits

- Advanced Vulcanized rubber portable outlet boxes yield the best performance for abrasion, chemical exposure and temperature extremes
- Industrial-duty, duplex receptacles yield long-term performance
- Two-piece cord-clamp strain relief to firmly secure the cord as standard, or select a MAX-LOC® cord grip together with weather-resistant flip lids for increased protection
- High-performance SOOW cords are standard for optimum performance
- Corded versions include a NEMA 5-15 plug



Specifications

Physical
 Box Housing and Plug Body: Advanced Vulcanized rubber
 Receptacles: Industrial-duty single receptacles
 Receptacle Cover Plate: Nylon/polycarbonate
 For Box-Only Version: Pre-wired
 Cover and Receptacle Face Screws: Stainless steel
 Cord: Rubber 12/3 or 14/3 SOOW
 Cord Connection: MAX-LOC nylon strain relief with rubber grommet

Environmental Rating: General industrial duty

Reference Information
 UL File No.: E46237
 CSA File No.: LR6837



Extended Depth (4 ³ / ₈ ") No Flip Lids or MAX-LOC Cord Grips				
Cord Grip	Number of Duplex Receptacles	Cord Diameter	Engineering No.	Order No.
Double C-Clamp	2	8.26–16.64mm (.325–.655")	3080-1	130137-0165



Extended Depth (4 ³ / ₈ ") with Flip Lids and MAX-LOC Cord Grips					
Cord Grip	Flip Lid	Number of Duplex Receptacles	Cord Diameter	Engineering No.	Order No.
F3 3/4"	Yes	2	12.70–19.05mm (.500–.750")	3085-1	130137-0191



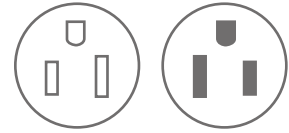
Extended Depth (4 ³ / ₈ ") Feed-Thru with MAX-LOC Cord Grips, No Flip Lids					
Cord Grip	Feed-Thru	Number of Duplex Receptacles	Cord Diameter	Engineering No.	Order No.
F3 3/4"	Yes	2	12.70–19.05mm (.500–.750")	3080F-1	130137-0177



Outlet Boxes

Super-Safeway™ Dual-Sided Duplex Outlet Box, Series 3000, with Receptacles

GFCI 15A 120V, EXTENDED DEPTH (4¾"), NEMA 5-15



Features and Benefits

- Advanced Vulcanized rubber portable outlet boxes yield the best performance for abrasion, chemical exposure and temperature extremes
- Industrial-duty, duplex receptacles yield long-term performance
- Max-Loc cord grips as standard
- Manual reset GFCI protection complete with an open-neutral sensing relay (contained within the back side) to protect personnel
- Also select a ground continuity monitor light to ensure the ground connections are proper from your power source
- High-performance SOOW cords are standard for optimum performance
- Corded versions include a NEMA 5-15 plug



Specifications

Physical	Box Housing and Plug Body: Advanced Vulcanized rubber
	Receptacles: Industrial-duty single receptacles
	Receptacle Cover Plate: Nylon/polycarbonate
	For Box-Only Version: Pre-wired
Environmental	Cover and Receptacle Face Screws: Stainless steel
	Cord: Rubber 12/3 or 14/3 SOOW
	Cord Connection: MAX-LOC nylon strain relief with rubber grommet
Reference Information	Rating: General industrial duty
	CSA File No.: LR6837



Extended Depth (4¾") with GFCI, with Flip Lids and MAX-LOC Cord Grips

Cord Grip	Cord Length	Cord Type	Flip Lid	GFCI Reset	Number of Receptacles	Open Neutral Relay	Ground Continuity Monitor	Receptacle	Cord Dia.	Engineering No.	Order No.
F3 ¾"	1.83m (6.0')	12/3 SOOW	Yes	Manual	1	Yes	No	GFCI Duplex	—	3070-GFI	130137-0155
F3 ¾"	7.62m (25.0')	14/3 SOOW	Yes	Manual	1	Yes	No	GFCI Duplex	—	3070-GFIA143	130137-0158
F3 ¾"	7.62m (25.0')	12/3 SOOW	Yes	Manual	1	Yes	No	GFCI Duplex	—	3070-GFIA123	130137-0157
F3 ¾"	15.24m (50.0')	12/3 SOOW	Yes	Manual	1	Yes	No	GFCI Duplex	—	3070-GFIB123	130137-0159
F3 ¾"	30.48m (100.0')	12/3 SOOW	Yes	Manual	1	Yes	No	GFCI Duplex	—	3070-GFID123	130137-0162
F3 ¾"	1.83m (6.0')	12/3 SOOW	Yes	Manual	1	Yes	Yes	GFCI Duplex	—	3080-GFI	130137-0180

Extended Depth (4¾") with GFCI, Feed-Thru, with Flip Lids and MAX-LOC Cord Grips

Cord Grip	Cord Length	Cord Type	Feed-Thru	Flip Lid	GFCI Reset	Number of Receptacles	Open Neutral Relay	Ground Continuity Monitor	Receptacle	Engineering No.	Order No.
F3 ¾"	2 @ 0.91m (2 @ 3.0')	12/3 SOOW	Yes	Yes	Manual	1	Yes	Yes	GFCI Duplex	3070F-GFI	130137-0153
F3 ¾"	2 @ 0.91m (2 @ 3.0')	12/3 SOOW	Yes	No	Manual	1	Yes	Yes	GFCI Duplex	3080F-GFI	130137-0178

Outlet Boxes

Super-Safeway™ Dual-Sided Duplex Outlet Box, Series 3000, with Receptacles

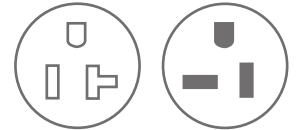
20A 120V, NEMA 5-20

Features and Benefits

- Advanced Vulcanized rubber portable outlet boxes yield the best performance for abrasion, chemical exposure and temperature extremes
- Industrial-duty, duplex receptacles yield long-term performance
- Two-piece cord-clamp strain relief to firmly secure the cord as standard, or select a MAX-LOC® cord grip together with weather-resistant flip lids for increased protection
- High-performance SOOW cords are standard for optimum performance
- Corded versions include a NEMA 5-20 plug

Specifications

Physical	Box Housing and Plug Body: Advanced Vulcanized rubber
	Receptacles: Industrial-duty single receptacles
	Receptacle Cover Plate: Nylon/polycarbonate
	For Box-Only Version: Pre-wired
	Cover and Receptacle Face Screws: Stainless steel
Environmental	Rating: General industrial duty
	Reference Information
Reference Information	UL File No.: E46237, E38085 CSA File No.: LR6837



Standard Depth (3%) No Flip Lids or MAX-LOC Cord Grips						
Cord Grip	Cord Length	Cord Type	Number of Duplex Receptacles	Cord Diameter	Engineering No.	Order No.
Double C-Clamp	—	—	2	8.26–16.64mm (.325–.655")	3000-10*	130137-0089
Double C-Clamp	0.305m (1.0')	12/3 SOOW	2	—	3000-10E123†	130137-0093
Double C-Clamp	7.62m (25.0')	12/3 SOOW	2	—	3000-10A123†	130137-0090



Extended Depth (4%) No Flip Lids or MAX-LOC Cord Grips						
Cord Grip	Cord Length	Cord Type	Number of Duplex Receptacles	Cord Diameter	Engineering No.	Order No.
Double C-Clamp	—	—	2	8.26–16.64mm (.325–.655")	3080-10*	130137-0166
Double C-Clamp	0.305m (1.0')	12/3 SOOW	2	—	3080-10E123†	130137-0171
Double C-Clamp	7.62m (25.0')	12/3 SOOW	2	—	3080-10A123†	130137-0167
Double C-Clamp	15.24m (50.0')	12/3 SOOW	2	—	3080-10B123†	130137-0169



Extended Depth (4%) with Flip Lids and MAX-LOC Cord Grips							
Cord Grip	Cord Length	Cord Type	Flip Lid	Number of Duplex Receptacles	Cord Diameter	Engineering No.	Order No.
F3 ¾"	—	—	Yes	2	7.92–15.88mm (.312–.625")	3085-10*	130137-0192
F3 ¾"	7.62m (25.0')	12/3 SOOW	Yes	2	—	3085-10A123†	130137-0193
F3 ¾"	15.24m (50.0')	12/3 SOOW	Yes	2	—	3085-10B123†	130137-0194
F3 ¾"	30.48m (100.0')	12/3 SOOW	Yes	2	—	3085-10D123†	130137-0196

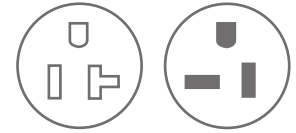


* UL File No. E46327
† UL File No. E38085

Outlet Boxes

Super-Safeway™ Dual-Sided Duplex Outlet Box, Series 3000, with Receptacles

GFCI 20A 120V, NEMA 5-20



Features and Benefits

- Advanced Vulcanized rubber portable outlet boxes yield the best performance for abrasion, chemical exposure and temperature extremes
- Industrial-duty, duplex receptacles yield long-term performance
- MAX-LOC® cord grip together with weather-resistant flip lids for increased protection
- Manual reset GFCI protection complete with an open-neutral sensing relay (contained within the back side) is an available option to protect personnel
- Also select a ground continuity monitor light to ensure the ground connections are proper from your power source
- High-performance SOOW cords are standard for optimum performance
- Includes a NEMA 5-20 plug



Specifications

Physical	Box Housing and Plug Body: Advanced Vulcanized rubber
	Receptacles: Industrial-duty single receptacles
	Receptacle Cover Plate: Nylon/polycarbonate
	Cover and Receptacle Face Screws: Stainless steel
	Cord: Rubber 12/3 SOOW
Environmental	Cord Connection: MAX-LOC nylon strain relief with rubber grommet
	Rating: General industrial duty
Reference Information	CSA File No.: LR6837



Extended Depth (4 3/8") with GFCI, Flip Lids and MAX-LOC Cord Grips Cord Grip

Body Size	Cord Length	Cord Type	Feed-Thru	Flip Lid	GFCI	Ground Continuity Monitor	Number of Receptacles	Receptacle	Engineering No.	Order No.
F3 3/4"	1.83m (6.0')	12/3 SOOW	No	Yes	Yes	No	1	GFCI Duplex	3070-GFI20	130137-0156
F3 3/4"	1.83m (6.0')	12/3 SOOW	No	Yes	Yes	Yes	1	GFCI Duplex	3080-GFI20	130137-0181

Extended Depth (4 3/8") with GFCI, Feed-Thru, with Flip Lids and MAX-LOC Cord Grips

Cord Grip Body Size	Cord Length	Cord Type	Feed-Thru	Flip Lid	GFCI	Ground Continuity Monitor	Number of Receptacles	Receptacle	Engineering No.	Order No.
F3 3/4"	2 @ 0.91m (2 @ 3.0')	12/3 SOOW	Yes	Yes	Yes	Yes	1	GFCI Duplex	3080F-GFI20	130137-0179

Outlet Boxes

Super-Safeway™

SERIES 3000 BOXES AND COVER PLATES, YELLOW

Features and Benefits

- Advanced Vulcanized rubber double-sided portable outlet boxes yield the best performance for abrasion, chemical exposure and temperature extremes
- Many non-receptacle options provide complete flexibility to create your own solution
- Select either double C-cord clamps or MAX-LOC® strain relief for optimum life

Specifications

Physical	Double-sided portable outlet box: Advanced Vulcanized rubber
	Receptacle Cover Plate: Nylon, polycarbonate, polypropylene Cover and Receptacle Face Screws: Stainless steel
Environmental	Rating: General industrial duty
Reference Information	UL File No.: E46237
	CSA File No.: LR6837



C-Clamp



One F(X) Fitting

Standard and Extended Depth, Dual-Sided, 2-Receptacle Box

Description	Cord Diameter	Box Only		Box with Duplex Plates		Box with Dual Flip Lids	
		Engineering No.	Order No.	Engineering No.	Order No.	Engineering No.	Order No.
Standard depth, C-clamp	8.26-16.64mm 0.325-0.655"	3050	130137-0147	3000	130137-0087	—	—
Standard depth, one (F2)	7.92-15.88mm 0.312-0.625"	3059	130137-0149	—	—	3005	130137-0126
Standard depth, feed-thru, two (F2)	7.92-15.88mm 0.312-0.625"	3050F	130137-0148	—	—	—	—
Extended depth, C-clamp	8.26-16.64mm 0.325-0.655"	3090	130137-0013	3080	130137-0007	—	—
Extended depth, one (F3)	12.70-19.05mm 0.500-0.750"	3099	130137-0216	—	—	3085	130137-0010
Extended depth, feed-thru, two (F3)	12.70-19.05mm 0.500-0.750"	3090F	130137-0204	3080F	130137-0176	3085F	130137-0199
Extended depth, one (F4)	19.05-24.64mm 0.750-0.970"	3091	130137-0014	—	—	—	—
Extended depth, feed-thru, two (F4)	19.05-24.64mm 0.750-0.970"	3091F	130137-0210	—	—	—	—

* 15A and 20A NEMA straight blade, 15A NEMA locking

† 20A NEMA locking



Duplex Receptacle



Duplex Receptacle with Flip Lids



Blank



GFCI



GFCI with Flip Lid

Cover Plates

Description	Duplex Opening		Duplex Flip Lid		Blank Plate		GFCI Opening		GFCI Flip Lid	
	Engineering No.	Order No.	Engineering No.	Order No.	Engineering No.	Order No.	Engineering No.	Order No.	Engineering No.	Order No.
Cover Plate	3051	130138-0020	3056	130138-0025	3054	130138-0023	3060	130138-0030	3061	130138-0032

* 15 and 20A NEMA straight blade, 15A NEMA locking

Outlet Boxes

Super-Safeway™



Two F(X) Fittings



Duplex Receptacle



Duplex Receptacle with Flip Lids

Standard and Extended Depth, Dual-Sided, 2-Receptacle Box

Description	Cord Diameter	1.39" Diameter*				1.56" Diameter†			
		Box with Plates Straight Blade		Box with Flip Lids Locking Blade		Box with Plates Straight Blade		Box with Flip Lids Locking Blade	
		Engineering No.	Order No.	Engineering No.	Order No.	Engineering No.	Order No.	Engineering No.	Order No.
Standard depth, C-clamp	8.26-16.64mm 0.325-0.655"	3001	130137-0121	—	—	3003	130137-0124	—	—
Extended depth, C-clamp	8.26-16.64mm 0.325-0.655"	3081	130137-0008	—	—	3083	130137-0185	—	—
Extended depth, one (F3)	12.70-19.05mm 0.500-0.750"	—	—	3086	130137-0011	—	—	3082	130137-0009
Extended depth, feed-thru, two (F3)	12.70-19.05mm 0.500-0.750"	—	—	3086F	130137-0006	—	—	—	—

* 15A and 20A NEMA straight blade, 15A NEMA locking
 † 20A NEMA locking



GFCI Clear Silicone Watertite®



Single Receptacle 1.39" Opening



Single Receptacle 1.39" Opening with Flip Lids



Single Receptacle 1.56" Opening



Single Receptacle 1.56" Opening with Flip Lids

Cover Plates

Description	GFCI Clear Silicone Watertite®		1.39" Diameter*				1.56" Diameter†			
			Opening		Flip Lid		Opening		Flip Lid	
	Engineering No.	Order No.	Engineering No.	Order No.	Engineering No.	Order No.	Engineering No.	Order No.	Engineering No.	Order No.
Cover Plate	3363	130138-0048	3052	130138-0022	3057	130138-0028	3055	130138-0024	3058	130138-0029

* 15 and 20A NEMA straight blade, 15A NEMA locking
 † 20A NEMA locking

Outlet Boxes

Super-Safeway™

SERIES 3000 POWER BOXES AND COVER PLATES, BLACK

Features and Benefits

- Black Advanced Vulcanized rubber double-sided portable outlet boxes yield the best performance for abrasion, chemical exposure and temperature extremes
- Many receptacle and non-receptacle options provide complete flexibility to create your own solution
- Two-piece cord-clamp strain relief to firmly secure the cord as standard, or select a MAX-LOC® cord grip together with weather-resistant flip lids for increased protection
- Black color selected for higher UV resistance and less dirty appearance
- High-performance SOOW cords are standard for optimum performance

Specifications

Physical	Box Housing and Plug Body: Advanced Vulcanized rubber
	Receptacles: Industrial-duty single receptacles
Environmental	Receptacle Cover Plate: Black nylon, polycarbonate, polypropylene
	For Receptacle Versions: Pre-wired
	Cover and Receptacle Face Screws: Stainless steel
	Cord: Rubber 12/3 SOOW
Reference Information	Cord Connection: Black nylon strain relief with rubber grommet if MAX-LOC
	Rating: General industrial duty
	UL File No.: E38085 CSA File No.: LR6837



NEMA 5-15 with Receptacles				
NEMA Configuration and Rating	Description	Cord Diameter	Engineering No.	Order No.
 NEMA 5-15	Standard depth cord clamp without flip lids	8.26–16.64mm (0.325–0.655")	3000-1BLK	130137-0099
	Standard depth, feed-thru with MAX-LOC without flip lids	7.92–15.88mm (0.312–0.625")	3000F-1BLK	130137-0117

NEMA 5-20 with Receptacles						
NEMA Configuration and Rating	Description	Cord Length	Cord Type	Plug	Engineering No.	Order No.
 NEMA 5-20	Extended depth cord clamp without flip lids	7.62m (25.0')	12/3 SOOW	5-15	3000-10A123BLK	130137-0091
	Extended depth MAX-LOC with flip lids	—	—	None	3085-10BLK*	130137-0195

* UL File No.: E46237

Multiple Outlet Box						
Description	Cord Diameter	Box Only, No Receptacles		Box with Duplex Plates, No Receptacles		
		Engineering No.	Order No.	Engineering No.	Order No.	
Standard depth, C-clamp	8.26–16.64mm (0.325–0.655")	—	—	3000BLK	130137-0113	
Standard depth, one (F2) MAX-LOC	7.92–15.88mm (0.312–0.625")	3059BLK	130137-0293	—	—	
Standard depth, feed-thru, two (F2) MAX-LOC	7.92–15.88mm (0.312–0.625")	—	—	3000FBLK	130137-0118	
Extended depth, one (F3) MAX-LOC	12.7–19.05mm (0.500–0.750")	3099BLK	130137-0217	—	—	
Extended depth, feed-thru, two (F3) MAX-LOC	12.7–19.05mm (0.500–0.750")	3090FBLK	130137-0205	—	—	
Extended depth, one (F4) MAX-LOC	19.05–24.64mm (0.750–0.970")	3091BLK	130137-0294	—	—	
Extended depth, feed-thru, two (F4) MAX-LOC	19.05–24.64mm (0.750–0.970")	3091FBLK	130137-0211	—	—	



Multiple Outlet Cover Plate										
Description	Blank Plate		GFCI Coverplate		Duplex Coverplate		Duplex Flip Lid		GFCI Flip Lid	
	Engineering No.	Order No.	Engineering No.	Order No.	Engineering No.	Order No.	Engineering No.	Order No.	Engineering No.	Order No.
Cover Plate	3054BLK	130138-0113	3060BLK	130138-0263	3051BLK	130138-0021	3056BLK	130138-0026	3061BLK	130138-0033



Outlet Boxes

Super-Safeway™ 3-Phase Stringer Set

20A 125V, NEMA 5-20

Features and Benefits

- Advanced Vulcanized rubber double-sided portable outlet boxes yield the best performance for abrasion, chemical exposure and temperature extremes
- Pre-wired six 20A, industrial-duty, duplex receptacles on 10' centers yield long-term performance
- Duplex receptacles are color-coded for easy three-phase identification
- All cord clamps are Safeway® nylon strain relief type for optimum life
- Super-Safeway plug available as a ready-to-use power distribution cordset

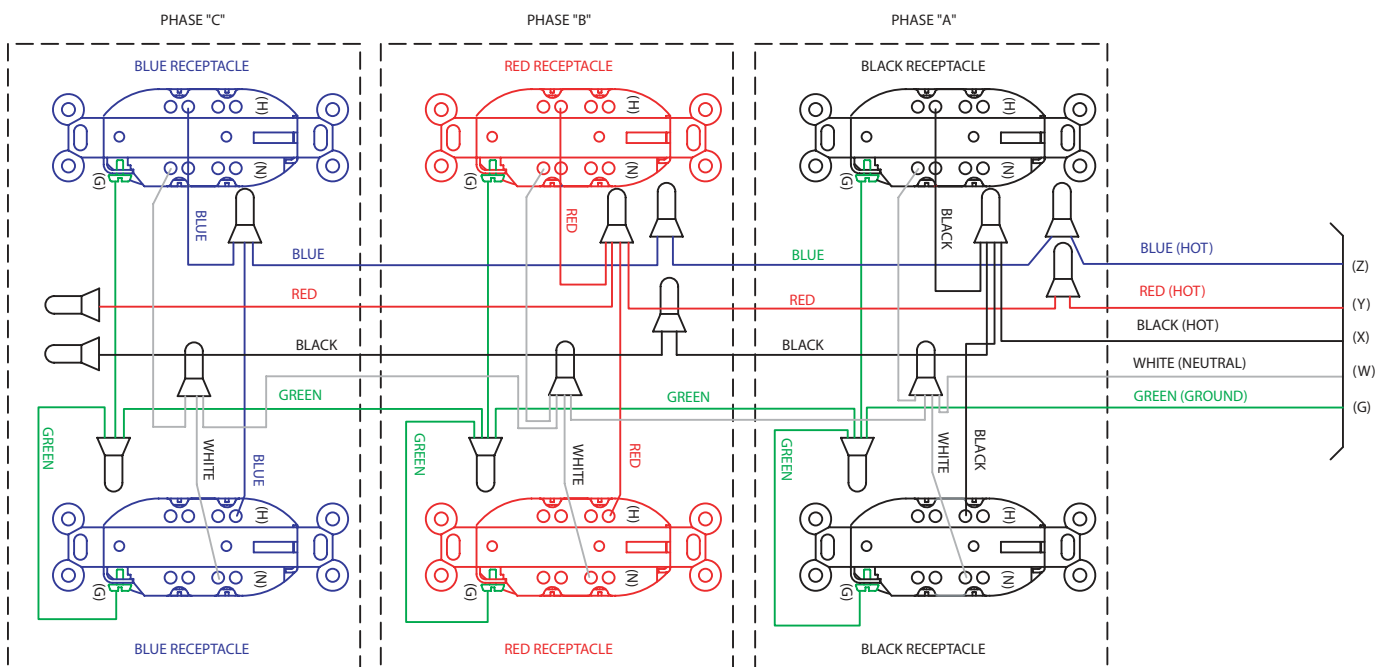


Specifications

	Multiple Outlet Box and Plug Body: Advanced Vulcanized rubber
	Receptacles: NEMA 5-20 industrial-duty duplex receptacles
Physical	Receptacle Cover Plate: Nylon
	Cover and Receptacle Face Screws: Stainless steel
	Cord: Black rubber 12/5 SOW
	Cord Clamps: Safeway nylon strain relief
Environmental	Rating: General industrial duty
Reference Information	UL File No.: E135568 CSA File No.: LR6837



Cord Length	Plug	Engineering No.	Order No.
9.14m (30.0')	None	3095-000	130137-0213
9.14m (30.0')	L21-20	3095-002	130137-0214



Outlet Boxes

Super-Safeway™

ANGLED OUTLET AND ANGLED GFCI OUTLET BOXES

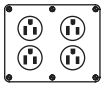
Features and Benefits

- Advanced Vulcanized rubber portable outlet boxes yield the best performance for abrasion, chemical exposure and temperature extremes
- Industrial-duty, duplex receptacles yield long-term performance
- MAX-LOC® cord grip together with weather-resistant spring-loaded flip lids available for increased ingress protection
- Manual reset GFCI protection complete with an open-neutral sensing relay is an available option to protect personnel
- Also select a ground continuity monitor light to ensure the ground connections are proper from your power source
- High-performance SOOW cords are standard for optimum performance

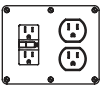


Specifications

Physical	Box Housing and Plug Body: Advanced Vulcanized rubber
	Receptacles: Industrial-duty single receptacles
Environmental	Receptacle Cover Plate: Polycarbonate, polypropylene
	For Box-Only Version: Receptacles are pre-wired
	Cover and Receptacle Face Screws: Stainless steel
	Cord: Rubber 12/3 SOOW
	Cord Connection: MAX-LOC nylon strain relief with rubber grommet
	Rating: General industrial duty

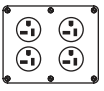
Angled Outlet Box, NEMA 5-15					
NEMA Configuration and Rating	Cord Length	Cord Type	Flip Lid	Engineering No.	Order No.
 NEMA 5-15	1.83m (6.0')	12/3 SOOW	—	3330L123	130135-0281
	7.62m (25.0')	12/3 SOOW	—	3330A123	130135-0278
	15.24m (50.0')	12/3 SOOW	—	3330B123	130135-0279
	0.305m (1.0')	12/3 SOOW	Yes	3330RE123	130135-0285
	1.83m (6.0')	12/3 SOOW	Yes	3330RL123	130135-0287
	7.62m (25.0')	12/3 SOOW	Yes	3330RA123	130135-0283



Angled GFCI Outlet Box, NEMA 5-15							
NEMA Configuration and Rating	Cord Length	Cord Diameter or Type	Flip Lid	Feed-Thru	Ground Continuity Monitor	Engineering No.	Order No.
 NEMA 5-15	—	12.7–19.05mm (.5–.75")	Yes	—	—	3320	130135-0246
	0.305m (1.0')	12/3 SOOW	Yes	—	—	3320E123	130135-0249
	1.83m (6.0')	12/3 SOOW	Yes	—	—	3320L123	130135-0251
	1.83m (6.0')	12/3 SOOW	Yes	—	Yes	3327L123	130135-0276
	7.62m (25.0')	12/3 SOOW	Yes	—	—	3320A123	130135-0247
	7.62m (25.0')	12/3 SOOW	Yes	—	Yes	3327A123	130135-0273
	7.62m (25.0')	12/3 SOOW	Yes	Yes	—	3320FA123*	130135-0250
	15.24m (50.0')	12/3 SOOW	Yes	—	—	3320B123	130135-0248
	30.48m (100.0')	12/3 SOOW	Yes	—	—	3320D123	130135-0013

* Cord 6' for Feed-Thru Loadside



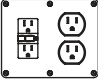
Angled Outlet Box, NEMA 5-20					
NEMA Configuration and Rating	Cord Length	Cord Diameter or Type	Flip Lid	Engineering No.	Order No.
 NEMA 5-20	1.83m (6.0')	12/3 SOOW	—	3332L123	130135-0293
	7.62m (25.0')	12/3 SOOW	—	3332A123	130135-0291
	15.24m (50.0')	12/3 SOOW	—	3332B123	130135-0292
	—	12.7–19.05mm (.5–.75")	Yes	3332R	130135-0294
	1.83m (6.0')	12/3 SOOW	Yes	3332RL123	130135-0298
	7.62m (25.0')	12/3 SOOW	Yes	3332RA123	130135-0295
	15.24m (50.0')	12/3 SOOW	Yes	3332RB123	130135-0296



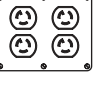
Outlet Boxes

Super-Safeway™

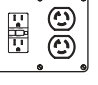
ANGLED OUTLET AND ANGLED GFCI OUTLET BOXES

Angled GFCI Outlet Box, NEMA 5-20							
NEMA Configuration and Rating	Cord Length	Cord Diameter or Type	Flip Lid	Feed-Thru	Ground Continuity Monitor	Engineering No.	Order No.
 NEMA 5-20	—	12.7–19.05mm (.5–.75")	Yes	—	—	3322	130135-0256
	0.305m (1.0')	12/3 SOOW	Yes	—	—	3322E123	130135-0260
	1.83m (6.0')	12/3 SOOW	Yes	—	—	3322L123	130135-0263
	7.62m (25.0')	12/3 SOOW	Yes	—	—	3322A123	130135-0257
	15.24m (50.0')	12/3 SOOW	Yes	—	—	3322B123	130135-0258
	30.48m (100.0')	12/3 SOOW	Yes	—	—	3322D123	130135-0259
	1.83m (6.0')	12/3 SOOW	Yes	—	Yes	3324L123	130135-0268
	1.83m (6.0')	12/3 SOOW	Yes	Yes	—	3322FL123	130135-0262
	1.83m (6.0')	12/3 SOOW	Yes	Yes	Yes	3324FL123	130135-0015

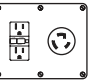


Angled Outlet Box, NEMA L5-15					
NEMA Configuration and Rating	Cord Length	Cord Type	Flip Lid	Engineering No.	Order No.
 NEMA L5-15	0.305m (1.0')	12/3 SOOW	Yes	3331RE123	130135-0289
	15.24m (50.0')	12/3 SOOW	Yes	3331RB123	130135-0288





Angled GFCI Outlet Box, NEMA 5-15 and L5-15								
NEMA Rating	NEMA Configuration	Cord Length	Cord Type	Flip Lid	Feed-Thru	Ground Continuity Monitor	Engineering No.	Order No.
NEMA 5-15 and NEMA L5-15		0.305m (1.0')	12/3 SOOW	Yes	—	—	3321E123	130135-0254
NEMA 5-15 and NEMA L5-15		1.83m (6.0')	12/3 SOOW	Yes	—	—	3321L123	130135-0255
NEMA 5-15 and NEMA L5-15		7.62m (25.0')	12/3 SOOW	Yes	—	—	3321A123	130135-0014
NEMA 5-15 and NEMA L5-15		1.83m (6.0')	12/3 SOOW	Yes	Yes	Yes	3323FL123	130135-0343



Angled GFCI Outlet Box, NEMA 5-20 and L5-20						
NEMA Rating	NEMA Configuration	Cord Length	Cord Type	Flip Lid	Engineering No.	Order No.
NEMA 5-20 and NEMA L5-20		1.83m (6.0')	12/3 SOOW	Yes	3325L123	130135-0272



GFCI Multiple Outlet Box, NEMA 5-15 or 5-20							
NEMA Configuration and Rating	Amps/Hz/Volts	Cord Length	Ground Continuity Monitor	Number of Receptacles	Receptacle	Engineering No.	Order No.
 NEMA 5-15	15A 50/60 Hz 120V	0.305m (1.0')	—	2	Duplex	32G15E123	130135-0207
		1.83m (6.0')	—		Duplex	32G15L123	130135-0208
		7.62m (25.0')	—		Duplex	32G15A123	130135-0333
		1.83m (6.0')	Yes		Duplex	32GM15L123	130135-0216
		7.62m (25.0')	Yes		Duplex	32GM15A123	130135-0213
 NEMA 5-20	20A 50/60 Hz 120V	0.305m (1.0')	—		Duplex	32G20E123	130135-0211
		7.62m (25.0')	—		Duplex	32G20A123	130135-0209
		0.305m (1.0')	Yes		Duplex	32GM20E123	130135-0219
		1.83m (6.0')	Yes		Duplex	32GM20L123	130135-0220
		7.62m (25.0')	Yes		Duplex	32GM20A123	130135-0217



Outlet Boxes

Super-Safeway™

ANGLED AND QUAD BOXES AND COVER PLATES

Features and Benefits

- Advanced Vulcanized rubber portable outlet boxes yield the best performance for abrasion, chemical exposure and temperature extremes
- MAX-LOC® cord grip together with weather-resistant spring-loaded flip lids available for increased ingress protection

Specifications

Physical	Box Housing and Watertite® Cover Plate: Advanced Vulcanized rubber
	Receptacle Cover Plate: Polycarbonate, polypropylene
Environmental	Cover and Receptacle Face Screws: Stainless steel
	Cord Connection: MAX-LOC nylon strain relief with rubber grommet
Reference Information	Rating: General industrial duty, Weather resistant (Weather-Resistant and Watertite Cover Plates)
	CSA File No.: LR6837



3200



3300

Box			
Cord Diameter	Cord Grip Body Size	Engineering No.*	Order No.
12.70–19.05mm (.500–.750")	F3 ¾"	3200†	130135-0185
12.70–19.05mm (.500–.750")	F3 ¾"	3300	130135-0245

* Boxes do not include receptacles.

† Comes with 2 blank coverplates.

Box with Cover Plate				
Cord Diameter	Cord Grip Body Size	Included (2) Cover Plates	Engineering No.	Order No.
12.70–19.05mm (.500–.750")	F3 ¾"	Double duplex	3210	130135-0186
12.70–19.05mm (.500–.750")	F3 ¾"	Double duplex with flip lids	3215	130135-0187

Grommets F3				
Cord Diameter	Color	Engineering No.	Order No.	
4.75–6.35mm (0.187-0.250")	Orange	00-4985	130180-0407	
6.35–9.53mm (0.250-0.375")	Gray	00-4986	130180-0408	
9.53–11.10mm (0.375-0.437")	Green	00-4987	130180-0409	
11.10–14.27mm (0.437-0.562")	Black	00-4980	130180-0278	
12.70–15.88mm (0.500-0.625")	Gray	00-4981	130180-0279	
14.27–17.45mm (0.562-0.687")	Green	00-4982	130180-0280	
15.88– 9.05mm (0.625-0.750")	Orange	00-4983	130180-0281	
17.45–20.62mm (0.687-0.812")	Yellow	00-4984	130180-0406	

Outlet Boxes

Super-Safeway™



3260



3263
1.56" opening



3261
1.56" opening



3265



3264
1.72" opening



3262
1.72" opening

Standard Cover Plate

Opening	Engineering No.	Order No.
Double Duplex	3260	130138-0035
39.62mm (1.56")†	3263	130138-0041
39.62mm (1.56")†	3261	130138-0037
Blank	3265	130138-0044
43.69mm (1.72")‡	3264	130138-0102
43.69mm (1.72")‡	3262	130138-0039

† 20A NEMA locking blade
‡ 30A NEMA locking blade



3260W



3263W
1.56" opening



3261W
1.56" opening



3264W
1.72" opening



3262W
1.72" opening



3267W

Weather-Resistant Cover Plate

Opening	Engineering No.	Order No.
Double Duplex	3260W	130138-0036
39.62mm (1.56")*	3263W	130138-0042
39.62mm (1.56")*	3261W	130138-0038
43.69mm (1.72")†	3264W	130138-0043
43.69mm (1.72")†	3262W	130138-0040
1 Duplex and 1 GFCI Duplex Receptacle	3267W	130138-0046

* 20A NEMA locking blade
† 30A NEMA locking blade



Watertite Cover Plate

Flip Lid	Engineering No.	Order No.
Yes	3266	130138-0045

Note: Use with NEMA 5-15 or NEMA 5-20 straight blade

Outlet Boxes

Super-Safeway™

ILLUMINATED QUAD (LOCATOR) OUTLET BOX

Features and Benefits

- Advanced Vulcanized rubber portable outlet boxes yield the best performance for abrasion, chemical exposure and temperature extremes
- Industrial-duty receptacles yield long-term performance
- Weather-resistant flip lids for increased protection
- MAX-LOC® stainless steel strain relief included as standard to provide maximum cord pull-out resistance
- High-performance SOOW cords are standard for optimum performance
- Plug matches receptacle type for application consistency



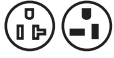

Specifications

Box Housing, Bulb Socket, Recessed Bumpers and Plug Body: Advanced Vulcanized rubber
 Receptacles: Industrial-duty nylon single receptacles
 Receptacle Cover Plate: Polycarbonate, polypropylene
 Globe Assembly: Teflon®
 Hinged Hook: Polypropylene
 Cover Face Screws: Stainless steel
 Cord: Rubber 12/3 SOOW
 Cord Connection: MAX-LOC strain relief with stainless steel mesh, nylon compression nut with rubber grommet
 Plug Body: Super-Safeway Advanced Vulcanized rubber with nylon insert and stainless steel screws

Environmental Rating: Industrial duty

Reference Information CSA File No.: LR6837



Illuminated Outlet Box							
NEMA Configuration and Rating	Amps/Hz/Volts	Cord Length	Cord Type	Cord Diameter	Number of Duplex Receptacles	Engineering No.	Order No.
 NEMA 5-15	15A 50/60 Hz 120V	—	—	12.7–19.05mm (.5–.75")	4	3290-1	130135-0195
		0.305m (1.0')	14/3 SOOW	—	4	3290-1E143	130135-0197
		15.24m (50.0')	14/3 SOOW	—	4	3290-1B143	130135-0196
 NEMA LS-15	15A 50/60 Hz 120V	—	—	12.7–19.05mm (.5–.75")	4	3290-2	130135-0198
		0.305m (1.0')	14/3 SOOW	—	4	3290-2E143	130135-0200
 NEMA 5-20	20A 50/60 Hz 120V	—	—	12.7–19.05mm (.5–.75")	single, 4	3290-3*	130135-0201
		0.305m (1.0')	12/3 SOOW	—	4	3290-3E123	130135-0203
 Non-NEMA	20A 50/60 Hz 250V	—	—	12.7–19.05mm (.5–.75")	4	3290-9	130135-0204
		0.305m (1.0')	12/3 SOOW	—	single, 4	3290-9E123*	130135-0205

* With 4 single receptacles

Outlet Boxes

Super-Safeway™ Multi-Tap Strip

15A AND 20A 125V / 250V

Features and Benefits

- Advanced Vulcanized rubber portable outlet box yields the best performance for abrasion, chemical exposure and temperature extremes
- Three industrial-duty single receptacles yield long-term performance
- GFCI protection complete with an open-neutral sensing relay is an available option to protect personnel
- Internal brass ground and neutral bus bar provides safe continuity
- Double C-clamp strain relief provides excellent hold to keep cord in place at this critical juncture
- High performance SOOW cords are standard for optimum performance



Specifications

Physical	Box Housing, Cover Plate and Plug Body: Advanced Vulcanized rubber Receptacles: Industrial-duty duplex Ground and Neutral Bus: Brass bar Cover and Receptacle Face Screws: Stainless steel Cord: Rubber 14/3 or 12/3 SOOW cord Double-C Cord Clamp: Nylon material, will accept .325-.655" cord diameter
Environmental	Rating: Industrial duty
Reference Information	UL File No.: E10176 or E38085 CSA File No.: LR6837



NEMA Configuration and Rating	Receptacle/Plug Rating	Cord Length	Cord Type	GFCI	GFCI Reset	Open Neutral Relay	Engineering No.	Order No.
 NEMA 5-15	2P 3W 15A/125V	Cover assembly*	—	—	—	—	40-3660‡	130138-0069
	2P 3W 15A/125V	Box only	—	—	—	—	31593	130136-0033
	2P 3W 15A/125V	Box only, 3-phase†	—	—	—	—	315933	130136-0034
	2P 3W 15A/125V	7.62m (25.0')	14/3 SOOW	—	—	—	31593A143	130136-0036
	2P 3W 15A/125V	7.62m (25.0')	12/3 SOOW	—	—	—	31593A123	130136-0035
	2P 3W 15A/125V	15.24m (50.0')	14/3 SOOW	—	—	—	31593B143	130136-0039
	2P 3W 15A/125V	15.24m (50.0')	12/3 SOOW	—	—	—	31593B123	130136-0038
 NEMA 5-20	2P 2W 20A/125V	Box only	—	—	—	—	31565	130136-0025
	2P 2W 20A/125V	7.62m (25.0')	14/3 SOOW	—	—	—	31565A143	130136-0029
	2P 2W 20A/125V	7.62m (25.0')	12/3 SOOW	—	—	—	31565A123	130136-0027
	2P 2W 20A/125V	15.24m (50.0')	12/3 SOOW	—	—	—	31565B123	130136-0030
 NEMA 6-15	2P 3W 15A/250V	Box only	—	—	—	—	31594	130136-0042
	2P 3W 15A/250V	7.62m (25.0')	14/3 SOOW	—	—	—	31594A143	130136-0044
	2P 3W 15A/250V	7.62m (25.0')	12/3 SOOW	—	—	—	31594A123	130136-0043
	2P 3W 15A/250V	15.24m (50.0')	12/3 SOOW	—	—	—	31594B123	130136-0045
 NEMA L5-15	2P 3W 15A/125V	Box only	—	—	—	—	32547	130136-0046
	2P 3W 15A/125V	7.62m (25.0')	14/3 SOOW	—	—	—	32547A143	130136-0048
	2P 3W 15A/125V	15.24m (50.0')	14/3 SOOW	—	—	—	32547B143	130136-0049
	2P 3W 15A/125V	7.62m (25.0')	12/3 SOOW	—	—	—	32547A123	130136-0047
	2P 3W 15A/125V	15.24m (50.0')	12/2 SOOW	—	—	—	32547B123	130136-0001
 NEMA L5-20	2P 3W 20A/125V	Box only	—	—	—	—	32747	130136-0058
	2P 3W 20A/125V	15.24m (50.0')	14/3 SOOW	—	—	—	32747B143	130136-0061
	2P 3W 20A/125V	7.62m (25.0')	12/3 SOOW	—	—	—	32747A123	130136-0059
	2P 3W 20A/125V	15.24m (50.0')	12/3 SOOW	—	—	—	32747B123	130136-0060
 Non-NEMA	3P 3W 15A/125V/10A/250V	Box only	—	—	—	—	32553	130136-0050
	3P 3W 15A/125V/10A/250V	15.24m (50.0')	12/3 SOOW	—	—	—	32553B123	130136-0052
 Non-NEMA	3P 3W 20A/125V/250V	Box only	—	—	—	—	32708	130136-0053
	3P 3W 20A/125V/250V	7.62m (25.0')	14/3 SOOW	—	—	—	32708A143	130136-0055
	3P 3W 20A/125V/250V	15.24m (50.0')	14/3 SOOW	—	—	—	32708B143	130136-0057
	3P 3W 20A/125V/250V	7.62m (25.0')	12/3 SOOW	—	—	—	32708A123	130136-0054

* Cover assembly only
 † Outlets wired for 3-phase input; UL File No.: E135568
 ‡ With 3 NEMA 5-20 single receptacles

Outlet Boxes

Super-Safeway™ Multi-Tap Strip Cordset and Pendant Quad Tap

15A 125V, NEMA 5-15

Features and Benefits

- Two-piece nylon body in Safety Yellow® for easy identification
- Three industrial-duty duplex receptacles yield long-term performance
- Internal brass ground bus bar provides safe continuity
- Circuit breaker protection is standard with manual reset to prevent an overload condition
- GFCI protection complete with an open-neutral relay is an available option within the right angle plug to protect personnel
- Grommet-style strain relief provides excellent hold to keep cord in place at this critical juncture



Specifications

Physical	Right Angle Plug Body: Nylon
	Multi-Tap Strip Housing: Nylon
Environmental	Receptacles: Industrial-duty duplex
	Ground Bus: Brass bar
	Cover and Receptacle Face Screws: Stainless steel
	Cord: 14/3 SOOW
Reference Information	Cord Clamp: Heavy-duty MAX-LOC® strain relief
	Duty Type: General industrial/commercial duty

Cord Length	GFCI	GFCI Reset	Open Neutral Relay	Over Current Protection	Engineering No.	Order No.
2.44m (8.0')	—	—	—	Yes	3510	130136-0065
7.62m (25.0')	—	—	—		3510A143	130136-0066



15 OR 20A 125V, NEMA 5-15, 5-20 OR L5-15

Features and Benefits

- Yellow or black Advanced Vulcanized rubber portable pendant quad tap yields the best performance for abrasion, chemical exposure and temperature extremes
- Pre-wired, four industrial-duty, single receptacles recessed within a bell-shaped housing for indoor or outdoor use
- Receptacles available in an optional transparent, neon lamp configuration for easy power on identification
- Grommet-style strain relief provides excellent hold to keep cord in place at this critical juncture
- Hanging support bracket included for ease of installation



Specifications

Physical	Pendant Housing: Super-Safeway Advanced Vulcanized rubber
	Receptacles: Nylon industrial-duty single receptacles
	Cover Face Screws and Washer: Stainless steel
	Cord Clamp: Heavy duty MAX-LOC F3 3/4" strain relief
Environmental	Allows Cord Diameter Range: .437 to .562"
	Hanging Support Bracket: Steel zinc-plated
	Illumination Source: Neon
Reference Information	Optional Wire Mesh Grip: Nylon
	Rating: General industrial duty

NEMA Configuration and Rating	Receptacle Light*	Housing Color	Cord Grip Mesh	Engineering No.	Order No.
 NEMA 5-15	—	Black	Non-metallic	09106	130135-0076
	Yes	Black	Non-metallic	09107	130135-0078
	—	Yellow	None	34047	130135-0303
	Yes	Yellow	None	34047L	130135-0304
 NEMA 5-20	—	Yellow	None	34048	130135-0309
 NEMA L5-15	—	Yellow	None	34547	130135-0312

* Has transparent outlets with neon lamp for "On" indication.



Outlet Boxes

Super-Safeway™ Multiple Outlet Boxes

MULTIPLE OUTLET BOX, SERIES 3400

Features and Benefits

- Advanced Vulcanized rubber portable outlet boxes yield the best performance for abrasion, chemical exposure and temperature extremes
- Choose three or four industrial-duty, duplex receptacles that yield long-term performance
- Weather-resistant spring-loaded flip lids available for increased ingress protection
- MAX-LOC® grommet-style strain relief provides excellent hold to keep cord in place at this critical juncture
- High performance SOOW cord is available as a ready-to-use product

Specifications

Physical	Box Housing and Plug: Advanced Vulcanized rubber
	Receptacles: Industrial-duty duplex receptacles
	Receptacle Cover Plate: Rubber-coated steel
	Cover and Receptacle Face Screws: Stainless steel
	Cord: Rubber 12/3 SOOW
	Cord Connection: Nylon strain relief with rubber grommet MAX-LOC
	Cord Range .500 to .875"

Environmental	Rating: General industrial duty
---------------	---------------------------------

Reference Information	UL File No.: E135568 (except for 3400-20A123)
-----------------------	---



Multiple Outlet Box, Single-Sided, 3 or 4 Receptacles

NEMA Configuration and Rating	Amps/Hz/Volts	Cord Length	Cord Type	Flip Lid	Number of Receptacles	Receptacle	Toggle Switch Circuit Breaker	Cord Diameter	Engineering No.	Order No.
 NEMA 5-15	15A 50/60 Hz 120V	—	—	—	4	Duplex	—	12.70–22.23mm (.500–.875")	3400	130138-0049
		—	—	Yes	4	Duplex	—	12.70–22.23mm (.500–.875")	3400L	130138-0053
		—	—	—	4	Duplex	Yes	12.70–22.23mm (.500–.875")	3410	130138-0057
		—	—	Yes	4	Duplex	Yes	12.70–22.23mm (.500–.875")	3410L	130138-0097
 NEMA 5-20	20A 50/60 Hz 120V	—	—	—	4	Duplex	—	12.70–22.23mm (.500–.875")	3400-20	130138-0050
		7.62m (25.0')	12/3 SOOW	—	4	Duplex	—	—	3400-20A123	130138-0051
		—	—	—	4	Duplex	Yes	12.70–22.23mm (.500–.875")	3410-20	130138-0058
		—	—	—	3	Duplex	Yes	12.70–22.23mm (.500–.875")	3413-20	130138-0061
		—	—	Yes	4	Duplex	—	12.70–22.23mm (.500–.875")	3400L-20	130138-0054
		—	—	Yes	4	Duplex	Yes	12.70–22.23mm (.500–.875")	3410L-20	130138-0059
—	—	Yes	3	Duplex	Yes	12.70–22.23mm (.500–.875")	3413L-20	130138-0096		

MULTIPLE OUTLET BOX, SERIES 3100

Features and Benefits

- Advanced Vulcanized rubber portable outlet boxes yield the best performance for abrasion, chemical exposure and temperature extremes
- Six industrial-duty, duplex receptacles yield long-term performance
- Can be wired for 3-phase power source
- Six heavy-duty, thermal magnetic, weather-resistant circuit breakers (one to protect each duplex outlet)
- MAX-LOC® grommet-style strain relief provides excellent hold to keep cord in place at this critical juncture

Specifications

Physical	Box Housing and Plug: Advanced Vulcanized rubber
	Receptacles: Industrial-duty duplex receptacles
	Receptacle Cover Plate: Steel
	Cover and Receptacle Face Screws: Stainless steel
	Cord Connection: Nylon strain relief with rubber grommet MAX-LOC
	Cord Range for F4: .500 to .937"
	Cord Range for F5: .875 to 1.250"

Environmental	Rating: General industrial duty
---------------	---------------------------------

Reference Information	CSA File No.: LR6837
-----------------------	----------------------



Multiple Outlet Box, Dual-Sided, 6 Receptacles

Cord Diameter	Cord Grip Body Size	Number of Receptacles	Receptacle*	Engineering No.	Order No.
12.7–23.8mm (.50–.937")	F4 1"	6	20A, Duplex	3123	130135-0177
22.23–31.75mm (.875–1.250")	F5 1 1/4"	6	20A, Duplex	3129	130135-0181

* (2) Black, (2) Red, (2) Blue

Power Boxes

Super-Safeway™ Portable Power System

UL-, CSA-, NEC- AND OSHA-RECOGNIZED PORTABLE POWER

Features and Benefits

- Vulcanized rubber enclosure and self-closing, waterproof lid
- Color-coded circuits for power balancing
- Feed-thru feature to place multiple boxes on one feeder
- Unique leg design allows for dependable stacking of multiple boxes for storage and transport
- cULus listed and TYPE 3R weather resistant for safe and reliable use in outdoor environments
- Lighter in weight than comparable power distribution boxes
- Compact design for operation in confined spaces and convenient storage

Specifications

Physical	Housing: Vulcanized rubber
	Weight: 29 lbs. Dimensions: 14.25"L x 14.25"W x 17.5"H
Environmental	Rating: NEMA TYPE 3R Rainproof
Compliance	Meets UL, CSA, NEC and OSHA requirements for construction site use
	Meets OSHA Regulation 20, Part 1926, Subpart K standards for open-neutral GFCI protection for enhanced safety cULus listed NEC regulatory height aluminum legs
Electrical	Rating: 50A, single-phase (H, H, N, G), 3 Pole, 4 Wire 125/250V AC
	Input: (1) 50A, single-phase, 3-pole, 4-wire, 125/250V AC California-style locking inlet Feed Thru:(1) 50A, single-phase 3-pole, 4-wire, 125/250V AC, California-style locking receptacle Overcurrent Protection: (6) 20A, single-pole, branch-rated circuit breakers, (1) 30A, double-pole, branch-rated circuit breaker All Duplex receptacles have GFCI protection directly above the receptacle



Power Distribution Boxes								
Input Rating	Outputs	20A Output Types	30A Output Types	Engineering No. (Yellow Boxes)	Order No. (Yellow Boxes)	Engineering No. (Black Boxes)	Order No. (Black Boxes)	Bulk Order No. (Black Boxes)
50A	7	(6) NEMA 5-20 straight duplex receptacles	(1) NEMA L6-30 locking receptacle	DY5-6E1H	130138-0126	DB5-6E1H	130138-0177	130138-0181
50A	7	(6) NEMA L5-20 single locking receptacles	(1) NEMA L6-30 locking receptacle	DY5-6G1H	130138-0127	DB5-6G1H	130138-0178	130138-0179

Power Boxes

Super-Safeway™ Portable Hanging Power Box

UL-, CSA-, NEC- AND OSHA-RECOGNIZED POWER DELIVERY SYSTEM FOR INDOOR/OUTDOOR USE

Features and Benefits

- Compact design for operation in confined spaces and convenient storage
- Suitable for vertical mounting with two heavy-duty wraparound hook-style clamps
- Secure, self-contained, no-tools-required mounting clamps cULus listed
- TYPE 3R weather resistant supports safe and reliable use in outdoor environments
- Vulcanized rubber enclosure, resistant to shock, impact and corrosion for enhanced safety
- Color-coded power balancing

Specifications

Physical	Housing: Vulcanized rubber Weight: 30 lbs. Dimensions: 9.00"D x 13.50"W x 21.00"H
Environmental	Rating: NEMA TYPE 3R Rainproof
Compliance	Meets UL, CSA, NEC and OSHA requirements for portable power distribution Meets OSHA Regulation 20, Part 1926, Subpart K standards for open-neutral GFCI protection for enhanced safety cULus listed
Electrical	Rating: 50A, Single Phase (H, H, N, G), 3 Pole, 4 Wire 125/250V AC Input: (1) 50A, Single Phase, 3 Pole, 4 Wire, 125/250V AC, California-style locking inlet Feed Thru: (1) 50A, Single Phase 3 Pole, 4 Wire, 125/250V AC, California-style locking receptacle Overcurrent Protection: (6) 20A, Single Pole branch rated circuit breakers, (1) 30A, Double Pole branch rated circuit breaker All Duplex receptacles have GFCI protection directly above the receptacle



Input Rating	Outputs	20A Output Types	30A Output Types	Engineering No.	Order No.
50A	7	(6) NEMA 5-20 straight duplex receptacles	(1) NEMA L6-30 locking receptacle	DH5-6E1H	130138-0227
50A	7	(6) NEMA L5-20 single locking receptacles	(1) NEMA L6-30 locking receptacle	DH5-6G1H	130138-0208

Power Boxes

Accessories/Cable Protection

50A TRUNK CABLES

Features and Benefits

- Dust seal at connector cord entry
- Beveled housing at connector cord end to ease travel around corners
- Corrosion resistant connectors for longer life
- Rubber type cord for wear resistance



Specifications

Physical	Cord: #6/4, Type W 600V
	Cord Insulation/Jacket: Rubber/Synthetic Rubber
	Connector Housing Material: Nylon
	Contact and Terminal Material: Brass
	Assembly Screws: Stainless Steel
Electrical	Connector Operating Temperature: -40 to +75° C (without impact)
	Connector Ends: Locking Blade 50A, 125/250V, 3P/4W, Non-NEMA Locking CA

Cord Length	Description	Engineering No.	Order No.
25 ft	CS6365N W/25FT #6-4 CABLE & CS6364N	CS6365NA064	130143-0396
50 ft	CS6365N W/50FT #6-4 CABLE & CS6364N	CS6365NB064	130143-0377
100 ft	CS6365N W/100FT #6-4 CABLE & CS6364N	CS6365ND064	130143-0378

SAFEGWAY CABLE PROTECTOR

Features and Benefits

- 5-channel design accommodates up to 1.25-inch (3.175cm) diameter cables or connections
- Slip-notch connector design reduces friction to ease mating and unmating
- Integrated easy-carrying handle found underside of black edge for balanced transport
- Hinged Lid simplifies access for cable insertion and removal
- UV-stabilized material suitable for prolonged exposure to sunlight
- Exclusive tread design delivers excellent traction and reduces slip-and-fall incidents
- Cross-mates with other protective brands and products



Specifications

Material	Base: Polyurethane
	Lid: Polyurethane
	Hinge Pin: Reinforced Fiberglass
	Contact and Terminal Material: Brass
	Load Capacity at 70°F : Tire: 16,300 lbs Axle: 32,600 lbs

Safety Warning Systems: per ANSI Z535.3-2011-Molded in Lid
Operating Temperature: -40 to +48°C

Reference Information	Length: Straight: 35.5" 45-Degree: Width: 19.75"
	Height: 2.0"
	Weight: Straight: 27.0 lbs 45-Degree: 15.5 lbs
	Slot Height: 1.25" for All Channels
	Slot Width: Center Channel: 1.625" Other Channels: 1.25"

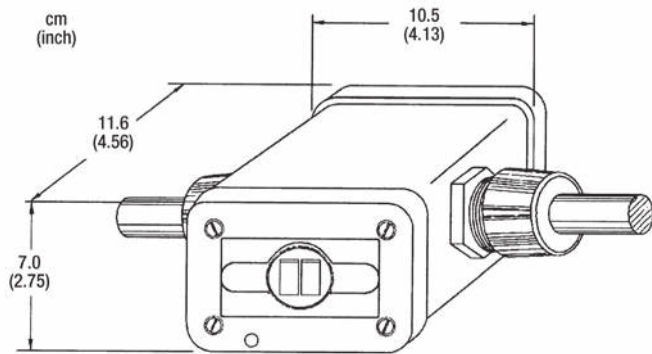
Orientation	Color	Type	Channels	Engineering No.	Order No.
Straight	Black with Orange Lid	Protector with Flip Lid	5	610-MAIN	130138-0116
	Black with Black Lid	Protector with Flip Lid		610-MAIN-BLK	130138-0187
45° Angle	Black	End Caps, Pair (M/F)		610-END	130138-0117
		Left Turn		610-LT	130138-0118
		Right Turn		610-RT	130138-0119

Technical Information

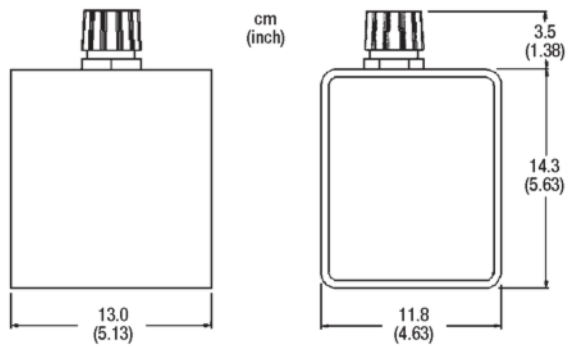
Outlet Boxes

WATERTITE®

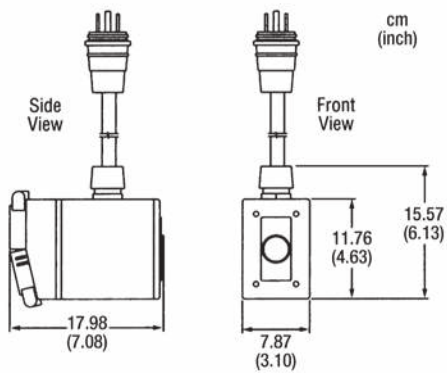
In-Line GFCI



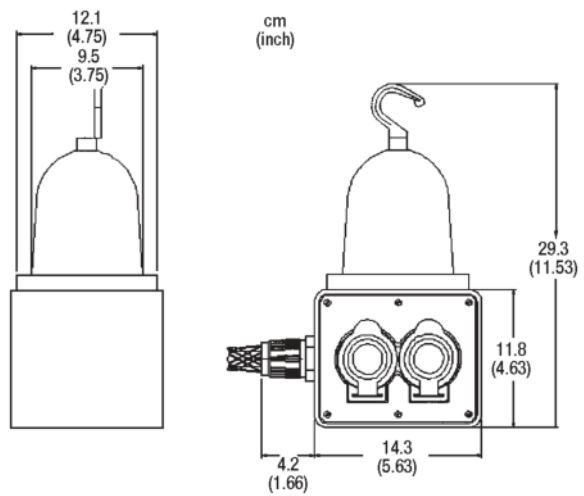
Watertite Quad Outlet Box



Dual-Sided GFCI Duplex FD Outlet Box



Illuminated Quad Outlet Box

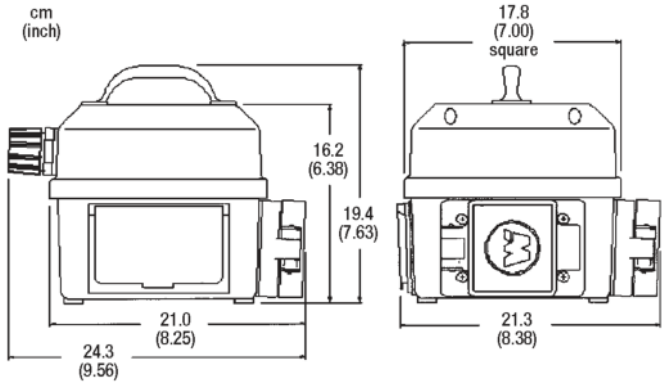


Technical Information

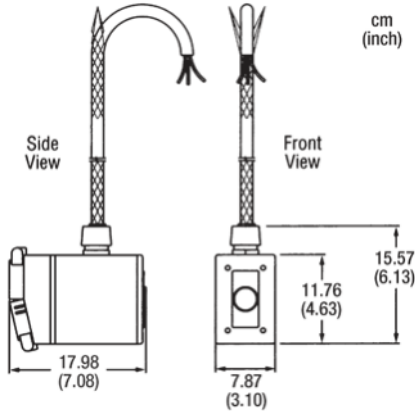
Outlet Boxes

WATERTITE®

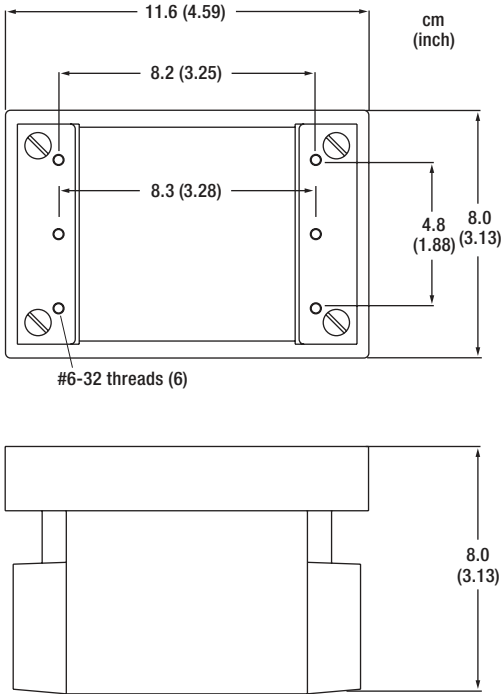
GFCI Four-Sided Outlet Box



Watertite GFCI Pendant Drop



FD Box

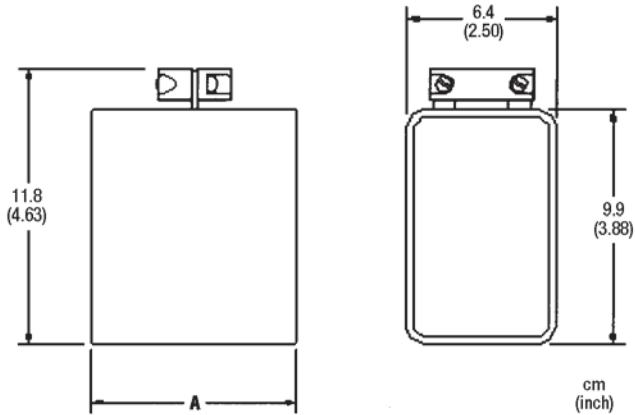


Technical Information

Outlet Boxes

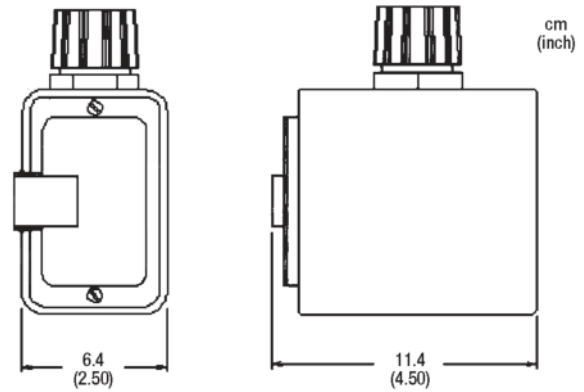
INDUSTRIAL

Standard and Extended Outlet Box with Cord Clamp

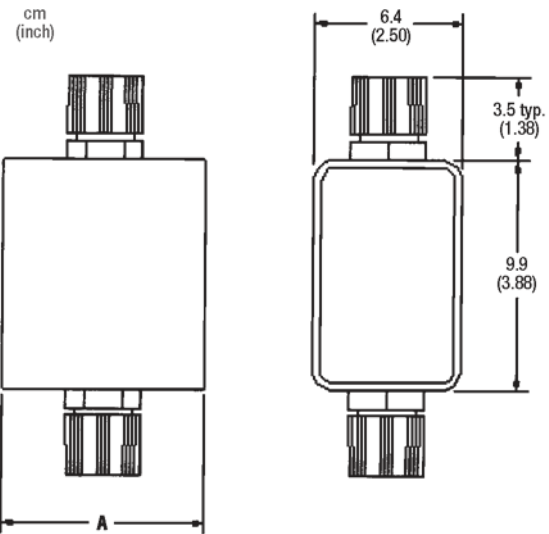


Dimension A	Interior Box Dimensions			Engineering No.
	Height	Width	Depth	
8.59cm (3.38")	6.68cm (2.63")	4.45cm (1.75")	7.62cm (3.00")	3000
			7.62cm (3.00")	3001
			7.62cm (3.00")	3050
11.13cm (4.38")	6.68cm (2.63")	4.45cm (1.75")	9.22cm (3.63")	3080
			9.22cm (3.63")	3081
			9.22cm (3.63")	3090

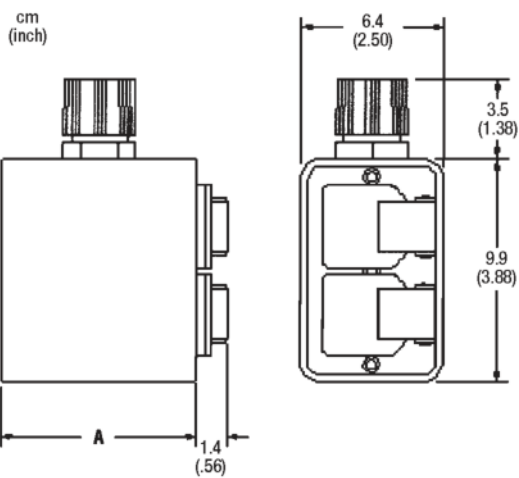
Extended GFCI Outlet Box with MAX-LOC



Standard and Extended Feed-Thru Outlet Box with MAX-LOC®



Standard and Extended Outlet Box with MAX-LOC®



Dimension A	Interior Box Dimensions			Engineering No.
	Height	Width	Depth	
8.6cm (3.38")	6.7cm (2.63")	4.4cm (1.75")	7.6cm (3.00")	3005
			7.6cm (3.00")	3059
11.13cm (4.38")	6.7cm (2.63")	4.4cm (1.75")	9.2cm (3.63")	3085
			9.2cm (3.63")	3086
			9.2cm (3.63")	3099

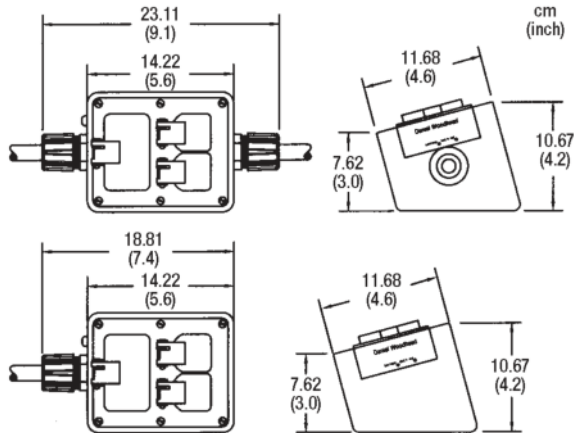
Dimension A	Interior Box Dimensions			Engineering No.
	Height	Height	Depth	
8.6cm (3.38")	6.7cm (2.63")	4.4cm (1.75")	7.6cm (3.00")	3000F
				3001F
				3003F
				3050F
				3006F
				3008F
11.13cm (4.38")	6.7cm (2.63")	4.4cm (1.75")	9.2cm (3.63")	3080F
				3081F
				3083F
				3085F
				3086F
				3088F
				3090F

Technical Information

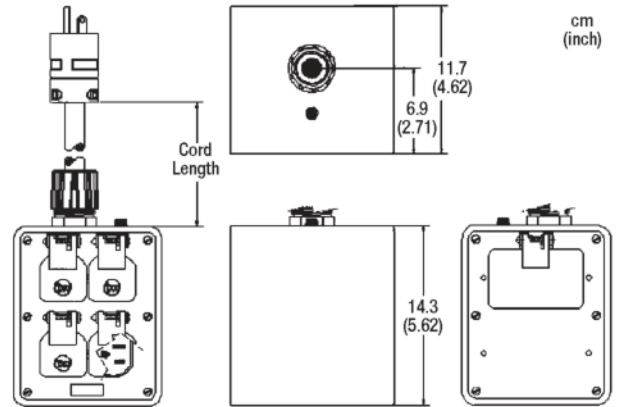
Outlet Boxes

INDUSTRIAL

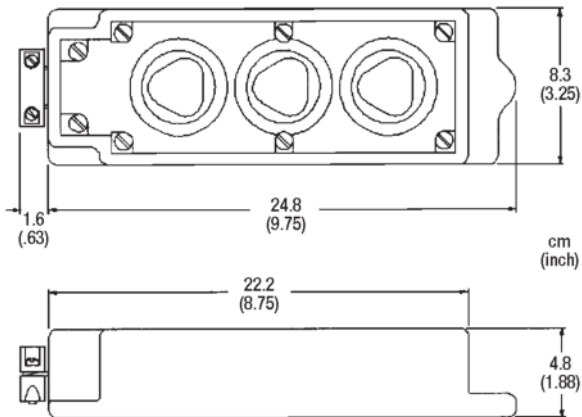
Angled Outlet Boxes



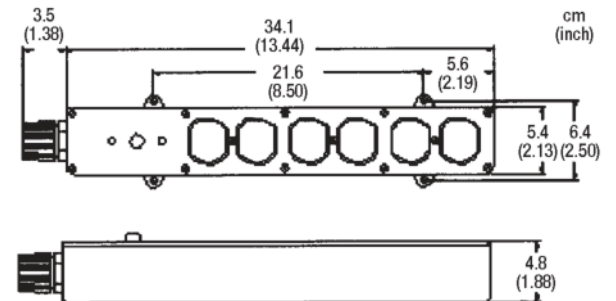
Quad Outlet Box



Super-Safeway™ Multi-Tap and Strip



Safeway® Multi-Tap and Strip

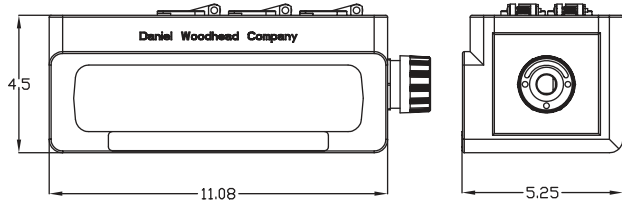


Technical Information

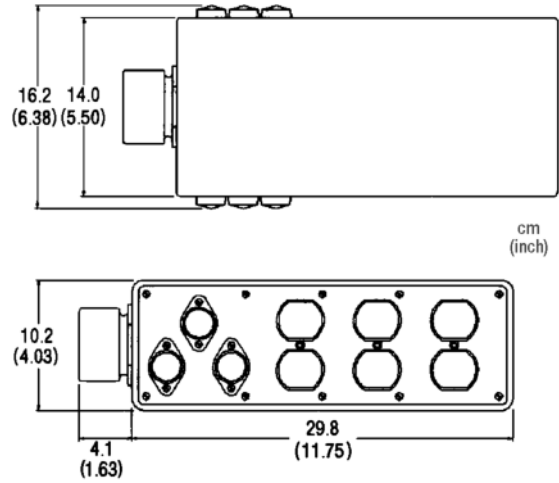
Outlet Boxes

INDUSTRIAL

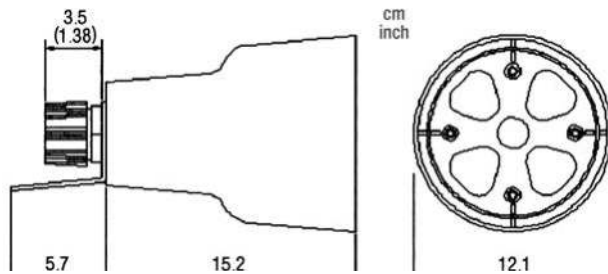
Multiple Outlet Box, Series 3400



Multiple Outlet Box, Series 3100



Pendant Quad-Tap





Woodhead Test/Control



Pushbutton Pendant Products



Testers

Woodhead Test/Control



PUSHBUTTON PENDANT PRODUCTS

Ergonomically designed hand-held control boxes; available in a wide range of industrial-grade pendants and enclosures that feature compact Watertite[®] vulcanized rubber or durable nylon construction.



TESTERS

Perform basic verification and multi-function wire testing with compact, simple-to-use devices that are a must for any toolbox.



Woodhead Test/Control

- Pushbutton Pendant Products** **232**
- Watertite Pushbutton Pendant Stations• **233**
 - Enabling Switch• **234**
- Super-Safeway™ Pushbutton Pendant Stations• **235**
 - Enclosures• **237**
 - Covers for FS/FD Box• **239**

- Testers** **240**
- Receptacle Circuit Tester• **241**
- Receptacle Tension Tester• **241**

- Technical Information** **242**



Pushbutton Pendant Products

Applications

- Automated assembly equipment
- Automatic doors
- Automation controllers
- Automation equipment
- Automotive plants
- Workstations

Woodhead® pushbutton pendant products are ergonomically designed hand-held control boxes, available in a wide range of industrial-grade pendants and enclosures that feature compact Watertite® vulcanized rubber or durable nylon construction.

Super-Safeway® pushbutton pendant stations feature vulcanized rubber construction to protect buttons from industrial elements. Weather-resistant pushbutton covers transform your FS/FD box into a pendant station. Constructed of vulcanized rubber, the cover includes integral pushbuttons that can be wired normally open or normally closed.



Pushbuttons

Watertite®

PENDANT STATION

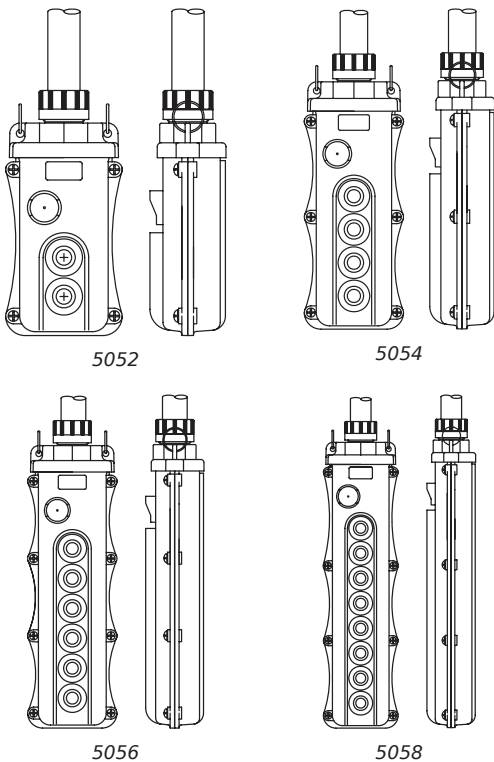
Features and Benefits

- Lightweight, polycarbonate pendant enclosure is double insulated, UV stabilized and chemically resistant to provide long life
- Ergonomic design fits easily in the palm of your hand for greater comfort and reduced fatigue
- Single and two-speed button pairs have mechanical interlocks for improved safety
- The common circuit is pre-wired to save installation time
- An elastic, chemically resistant gasket ensures a tight seal between front and back
- MAX-LOC® strain relief included as standard to provide maximum cord pull-out resistance
- Legend sheet included
- The single speed contacts are Normally Open – NO



Specifications

Physical	Pendant Housing: Polycarbonate
	Switches: 3A, 125/250V
	Single and Two-Speed Switch Pairs: Mechanically interlocked
	Cover Face Screws: Stainless steel
Environmental	Gasket and O-Ring Seal: Rubber
	Cord Connection; MAX-LOC nylon strain relief with rubber grommet
	Cord Grip Body Size: F3 ¾"
	Cord Diameter: 9.53 to 20.63mm (.375 to .812")
Reference Information	Rating: Wet industrial duty
	NEMA Enclosure Rating: NEMA 4X, IP56
	Temperature Rating: -10 to 150°F
UL File No.: E70531	



Number of Buttons	Number of Speeds	M = Momentary; N = Maintained	Engineering No.*	Order No.
2	1	—	5052-1	130126-0243
2	N/A	M	5052-M	130126-0246
2	N/A	N	5052-N	130126-0247
4	1	—	5054-1	130126-0248
4	1	M	5054-1M	130126-0249
4	1	N	5054-1N	130126-0250
4	2	—	5054-2	130126-0251
6	1	—	5056-1	130126-0256
6	1	M	5056-1M	130126-0257
6	1	N	5056-1N	130126-0258
6	2	M	5056-2M	130126-0260
8	1	—	5058-1	130126-0262
8	1	M	5058-1M	130126-0263
8	1	N	5058-1N	130126-0264
8	2	M	5058-2M	130126-0266
8	3	M	5058-3M	130126-0268

* Momentary and Maintained refer to On/Off buttons only in first and second positions. Without an "M" or "N," no On/Off is present.

Accessory/Replacement Parts†

Description	Engineering No.	Order No.
2-position selector switch‡	505SS-2	130126-0025
3-position selector switch—NO In center‡	505SS-3NO	130126-0027
2-button single-speed switch—1 NO	505SW-1	130126-0028
2-button single-speed switch—2 NO	505SW-12NO	130126-0029
2-button single-speed switch—NO/NC	505SW-1NONC	130126-0030
2-button 2-speed switch—1 NO	505SW-2	130126-0031
2-button switch momentary on/off—NO/NC	505SW-M	130126-0033
2-button switch maintained on/off—NO/NC	505SW-N	130126-0034
Pilot light, green, shroud mount	505PL-GS	130126-0021
Pilot light, red, shroud mount	505PL-RS	130126-0022
Pilot light, white, shroud mount	505PL-YS	130126-0023
Red mushroom on/off switch‡	505B-RM	130126-0012
Button cover, black high ambient chemical resistance	505BC-C	130126-0008
Button cover legend sheet	505BC-L	130126-0009

† See Strain Relief Grips for wiring device/enclosure boxes for additional support

‡ Requires larger hole in enclosure if used for retrofit

Dimensions

Length with MAX-LOC	Width	Depth	Engineering Series No.
18.8cm (7.4")	8.9cm (3.5")	5.8cm (2.3")	5052
24.9cm (9.8")			5054
30.7cm (12.1")			5056
36.8cm (14.5")			5058

Pushbuttons

Watertite®

TWO-BUTTON PENDANT STATION

Features and Benefits

- Lightweight, polycarbonate pendant enclosure is double insulated, UV stabilized and chemically resistant to provide long life
- Ergonomic design fits easily in the palm of your hand for greater comfort and reduced fatigue
- Single-speed, double-throw, momentary contacts can be wired either normally open or normally closed for complete application flexibility
- An elastic, chemically resistant gasket ensures a tight seal between front and back
- MAX-LOC® strain relief included as standard to provide maximum cord pull-out resistance



Number of Buttons	Body Color	Engineering No.	Order No.
2	Yellow	4052	130126-0231
2	Black	4052BLK	130126-0232

Specifications

	Physical
	Pendant Housing: Nylon Switches: Single-speed, double-throw, momentary-type, fine sliver, SPDT-DB Cover Face Screws: Stainless steel Pushbutton Diaphragm Seal: Rubber Cover Gasket Seal: Neoprene Cord Connection; MAX-LOC nylon strain relief with rubber grommet Nameplate Set: 35 self-adhesive, pre-printed labels on one acetate sheet Cord Grip Body Size: F2 1/2" Cord Diameter: 7.92 to 15.88mm (.312 to .625")
	Environmental Rating: Wet industrial duty NEMA Enclosure Rating: NEMA IP67
	Reference Information UL File No.: See switch rating CSA File No.: LR32400



Switch Characteristics		
Dimensions	Contact Arrangement: Single speed SPDT-DB	
	Continuous	Control
<p>Dimensions — inches (mm)</p>	10A @ 125 to 250V AC* 1/2 HP @ 125V AC* 3/4 HP @ 250V AC* 1 HP @ 125V AC or 250V AC 10A 28V DC Inductive 15A 28V DC Resistive	120V AC 60A Make 6A Break 240V AC 30A Make 3A Break A-300 Contact rating per UL Std. 508
* UL listed and CSA certified		

Replacement Parts†		
Description	Engineering No.	Order No.
Replacement switch—one speed, momentary	42-2190	130186-0318
Rubber switch diaphragm	00-5150	130180-0468
Legend kit—labels, function pushbutton station	31-5800	130228-0721

† See Strain Relief Grips for wiring device/enclosure boxes for additional support

ENABLING SWITCH

Features and Benefits

- One-button, momentary contact switch provides quick and easy on/off actuation
- Durable weather-resistant rubber housing protects switch against harmful elements



No. of Pins	Throw	Pole Position	Rubber Body	Engineering No.	Order No.
2	Single	Normally Open	Nitrile/PVC	55501	130023-0001
2	Single	Normally Closed	Nitrile/PVC	55502	130023-0002
3	Double	Normally Open/Normally Closed	Nitrile/PVC	55503	130023-0003
3	Single	Normally Open	Nitrile/PVC	55504	130023-0004
2	Single	Normally Open	Silicone	55501S	130126-0364
2	Single	Normally Closed	Silicone	55502S	130126-0365
3	Double	Normally Open/Normally Closed	Silicone	55503S	130126-0366
3	Single	Normally Open	Silicone	55504S	130126-0367

Switch Accessories				
No. of Pins	Description	Cord/Wire Length (feet)	Engineering No.	Order No.
2	Single-Ended Female Cordset	6	102000A01F060	130006-0091
2	Single-Ended Female Cordset	12	102000A01F120	130006-0096
2	Single-Ended Female Cordset	20	102000A01F200	130006-0102
2	Double-Ended Cord Set	6	112020A01F060	130010-0147
2	Double-Ended Cord Set	12	112020A01F120	130010-0152
2	Double-Ended Cord Set	20	112020A01F200	130010-0159
3	Single-Ended Female Cordset	6	103000A01F060	130006-0221
3	Single-Ended Female Cordset	12	103000A01F120	130006-0232
3	Single-Ended Female Cordset	20	103000A01F200	130006-0241
3	Double-Ended Cord Set	6	113020A01F060	130010-0221
3	Double-Ended Cord Set	12	113020A01F120	130010-0228
3	Double-Ended Cord Set	20	113020A01F200	130010-0238
2	Panel Mount Female Receptacle	1	1R2004A20A120	130013-0060
3	Panel Mount Female Receptacle	1	1R3004A20A120	130013-0135

Specifications

	Physical
	Housing: Nylon Weight: 0.25 lb. Dimensions: Length—4.34"; Diameter—1.25" Connector: Mini-Change Connector 7/8"
	Electrical 10A, 125/250V AC, 1/2 hp
	Environmental NEMA 3R, Wet Location Nitrile/PVC for Oil & Gas, Silicone for Food & General use
	Reference Information UL File No.: E70531 CSA File No.: LR44136



Pushbuttons

Super-Safeway™

PENDANT STATION

Features and Benefits

- Unique, industry-leading, vulcanized rubber pendant stations yield the best performance for abrasion, chemical exposure and temperature extremes
- Ergonomic design fits easily in the palm of your hand for greater comfort and reduced fatigue
- Housing cover fitted with tongue and groove design for best sealing performance
- Pushbuttons are not exposed beyond enclosure face to prevent unwanted activation and provide button protection
- Single and two-speed buttons can be wired as an electrical interlock for improved safety
- An elastic, chemically resistant gasket ensures a tight seal between front and back
- MAX-LOC® strain relief included as standard to provide maximum cord pull-out resistance
- Built-in ground connection saves installation time
- Legend sheet included
- All buttons are momentary, except for the E-stop, which is maintained



4024ES

Specifications

Physical	Pendant Cover and Housing: Vulcanized rubber
	Messenger Cable Bracket and Cover Screws: Steel zinc-plated
Environmental	Gasket and O-Ring Seal: Neoprene
	Cord Connection; MAX-LOC nylon strain relief with rubber grommet
	Nameplate Set: 35 self-adhesive, pre-printed labels on one acetate sheet
	Rating: 4022—Rain tight 4024, 4026, 4028—Testing pending
Reference Information	CSA certified switches: LR32400



Switch Ratings		
Single Speed	Two Speed	Maintain
20A @ 125 to 250V AC	10A @ 125 or 250V AC	16A @ 125V AC
25A @ 24V DC	1/3 HP @ 125V	8A @ 250V AC
0.5A @ 250V DC	1/2 HP @ 250V	1 HP @ 125 or 250V AC
1 HP @ 125V AC	—	—
2 HP @ 250V AC	—	—

Number of Buttons	Cord Grip Body Size*	Number of Speeds	Emergency Stop	Cord Diameter	Engineering No.	Order No.
2	F3 3/4"	1	—	12.70-17.45mm (.500-.687")	4022	130126-0199
2	F3 3/4"	1	Yes	12.70-17.45mm (.500-.687")	4022ES	130126-0204
2	F3 3/4"	2	—	12.70-17.45mm (.500-.687")	4022-2	130126-0200
3	F3 3/4"	1	—	12.70-19.05mm (.500-.750")	4023	130126-0207
3	F3 3/4"	1	Yes	12.70-19.05mm (.500-.750")	4023ES	130126-0209
3	F3 3/4"	2	—	12.70-19.05mm (.500-.750")	4023-2	130126-0208
4	F3 3/4"	1	—	12.70-19.05mm (.500-.750")	4024	130126-0212
4	F3 3/4"	1	Yes	12.70-19.05mm (.500-.750")	4024ES	130126-0214
4	F3 3/4"	2	—	12.70-19.05mm (.500-.750")	4024-2	130126-0213
6	F3 3/4"	1	—	14.27-20.63mm (.562-.812")	4026	130126-0218
6	F4 1"	1	Yes	17.45-23.80mm (.687-.937")	4026ES	130126-0222
6	F3 3/4"	2	—	14.27-20.63mm (.562-.812")	4026-2	130126-0219
8	F4 1"	1	—	17.45-23.80mm (.687-.937")	4028	130126-0036
8	F3 3/4"	1	Yes	14.27-20.63mm (.562-.812")	4028ES	130126-0226
8	F4 1"	2	—	17.45-23.80mm (.687-.937")	4028-2	130126-0224

* F3 nut is non-metallic. F4 nut is metallic.

Pushbuttons

Super-Safeway™

PENDANT STATION

Dimensions					
Pendant Pushbutton Station	Length	Width	Depth	Engineering No.	Order No.
	14.9cm (5.88")	7.6cm (3.00")	6.7cm (2.66")	4022	130126-0199
	19.0cm (7.50")	7.6cm (3.00")	6.7cm (2.66")	4023	130126-0207
	23.1cm (9.13")	7.6cm (3.00")	6.7cm (2.66")	4022ES	130126-0204
				4024	130126-0212
	27.3cm (10.75")	7.6cm (3.00")	6.7cm (2.66")	4023ES	130126-0209
				4026	130126-0218
	40.0cm (15.75")	7.6cm (3.00")	6.7cm (2.66")	4024ES	130126-0214
				4028	130126-0036
4026ES				130126-0222	
46.3cm (18.25")	7.6cm (3.00")	6.7cm (2.66")	4028ES	130126-0226	

Replacement Gasket Kits			
Number of Buttons	Engineering No.	Order No.	
2	4022G	130126-0205	
3	4023G	130126-0210	
4	4024G	130126-0216	
6	4026G	130126-0223	
8	4028G	130126-0227	

Replacement Switches					
Description	Emergency Stop	Enclosure Rating	Number of Speeds	Engineering No.	Order No.
Red mushroom on/off switch	Yes	NEMA 4X	—	505B-RM	130126-0012
4020 replacement switch	—	—	1	4020	130128-0100
4020-2 replacement switch, 2-speed	—	—	2	4020-2	130128-0101
Legend kit	—	—	—	71-4220	130203-1295

Replacement Covers			
Description	Number of Buttons	Engineering No.	Order No.
Replacement cover 4022	2	00-3063	130128-0079
Replacement cover 4023	3	00-3823	130128-0082
Replacement cover 4024	4	00-3073	130128-0080
Replacement cover 4026	6	00-3083	130128-0081
Replacement cover 4028	8	00-0463	130128-0078

Pushbuttons

Super-Safeway™

PENDANT PUSHBUTTON ENCLOSURES

Features and Benefits

- Unique, industry-leading, vulcanized rubber pendant enclosures yield the best performance for abrasion, chemical exposure and temperature extremes
- Accepts industry-standard 30mm or 22mm pushbutton and pilot devices
- Protective ribs provide recess for pushbutton operators and pilot lights, preventing unintended operation and providing device protection
- Metal suspension bracket allows for messenger cable to support pendant and provide longer operational life of the system
- MAX-LOC® strain relief included as standard to provide maximum cord pull-out resistance
- Internal ground strap common to all pilot devices and cord entry provides for safe electrical operation

Specifications

Physical	Pendant Housing and Cover: Vulcanized rubber
	Messenger Cable Bracket and Cover Screws: Steel zinc-plated
	Cord Connection: MAX-LOC nylon strain relief with rubber grommet
	Cover to Housing Screws: Stainless steel
Environmental	Ground Strap: Brass
	Rating: Industrial duty
Reference Information	CSA File No.: LR32400

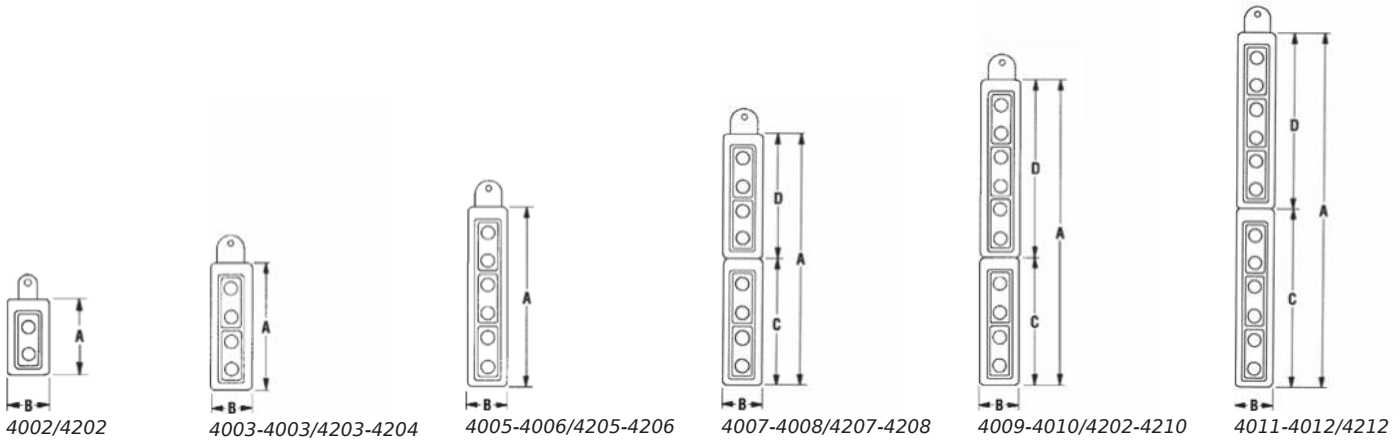


Super-Safeway Pushbutton Enclosure	Opening Size	A	B	C	D	Engineering No.	Order No.				
Enclosure with 2 openings	30mm	15.9cm (6.25")	8.9cm (3.50")	-	-	4002	130126-0186				
Enclosure with 2 openings	22mm					4202	130126-0235				
Enclosure with 3 openings	30mm	27.3cm (10.75")				27.3cm (10.75")	27.3cm (10.75")	4003	130126-0187		
Enclosure with 3 openings	22mm							4203	130126-0236		
Enclosure with 4 openings	30mm	38.7cm (15.25")						27.3cm (10.75")	38.7cm (15.25")	4004	130126-0188
Enclosure with 4 openings	22mm									4204	130148-0072
Enclosure with 5 openings	30mm	54.6cm (21.50")		27.3cm (10.75")	38.7cm (15.25")					4005	130126-0189
Enclosure with 5 openings	22mm									4205	130148-0073
Enclosure with 6 openings	30mm	66.0cm (26.00")				38.7cm (15.25")	38.7cm (15.25")			4006	130126-0190
Enclosure with 6 openings	22mm									4206	130126-0237
Enclosure with 7 openings	30mm	77.5cm (30.50")						38.7cm (15.25")	38.7cm (15.25")	4007	130126-0192
Enclosure with 7 openings	22mm									4207	130126-0238
Enclosure with 8 openings	30mm	77.5cm (30.50")	38.7cm (15.25")	38.7cm (15.25")	4008					130126-0193	
Enclosure with 8 openings	22mm				4208					130126-0239	
Enclosure with 9 openings	30mm	77.5cm (30.50")			38.7cm (15.25")	38.7cm (15.25")	4009			130126-0195	
Enclosure with 9 openings	22mm						4209			130126-0240	
Enclosure with 10 openings	30mm	77.5cm (30.50")					38.7cm (15.25")	38.7cm (15.25")	4010	130126-0196	
Enclosure with 10 openings	22mm								4210	130126-0241	
Enclosure with 11 openings	30mm	77.5cm (30.50")	38.7cm (15.25")	38.7cm (15.25")					4011	130126-0197	
Enclosure with 12 openings	30mm								4012	130126-0198	
Enclosure with 12 openings	22mm	4212			130126-0242						

Pushbuttons

Super-Safeway™

PENDANT PUSHBUTTON ENCLOSURES



Dimensional Data for Enclosures

Super-Safeway Pushbutton Enclosure	A	B	C	D	Engineering No.
Enclosure with 2 openings	15.9cm (6.25")	8.9cm (3.50")			4002/4202
Enclosure with 3 or 4 openings	27.3cm (10.75")	8.9cm (3.50")			4003 to 4004/4203 to 4204
Enclosure with 5 or 6 openings	38.7cm (15.25")	8.9cm (3.50")			4005 to 4006/4205 to 4206
Enclosure with 7 or 8 openings	54.6cm (21.50")	8.9cm (3.50")	27.3cm (10.75")	27.3cm (10.75")	4007 to 4008/4207 to 4208
Enclosure with 9 or 10 openings	66.0cm (26.00")	8.9cm (3.50")	27.3cm (10.75")	38.7cm (15.25")	4009 to 4010/4209 to 4210
Enclosure with 11 or 12 openings	77.5cm (30.50")	8.9cm (3.50")	38.7cm (15.25")	38.7cm (15.25")	4011 to 4012/4212

Dimensional Data (Cross Section)

Cross Section	A	B	C	D	E
	7.3cm (2.88")	6.4cm (2.5")	6.2cm (2.44")	2.9cm (1.13")	0.64cm (.25")

Dimensional Data (Top View)

Top View	A	B	C	D	E
	5.7cm (2.25")	3.1cm (1.22") for 30mm models, 2.2cm (0.866") for 22mm models	2.9cm (1.13")	10.8cm (4.25")	4.4cm (1.75")

Pushbuttons

Super-Safeway™

PUSHBUTTON COVERS FOR FS/FD BOXES

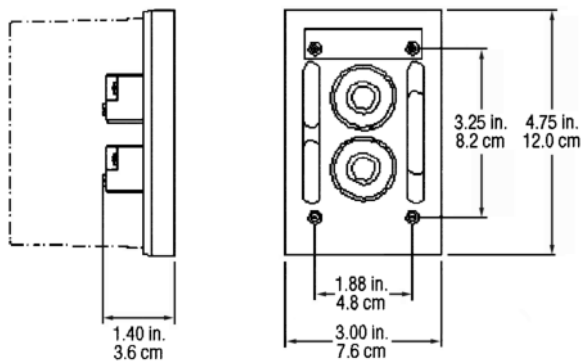
Features and Benefits

- Unique, industry-leading, vulcanized rubber pendant covers yield the best performance for abrasion, chemical exposure and temperature extremes
- Switches can be wired as normally open or normally closed for flexibility of application
- The cover has integral pushbuttons which operate mechanically coupled pushbutton contact blocks for time-saving installation
- Switches function as single-speed or two-speed momentary contact operation for flexibility of application
- Single-speed function can be wired as electrically interlocked for improved safety
- Switches mounted on molded-in steel mounting plate
- Legend sheet included



Specifications

Physical	Pendant Cover: Vulcanized rubber Nameplate Set: 35 self-adhesive, pre-printed labels on one acetate sheet
Environmental	Rating: Indoor damp location



Switch Ratings	
Single Speed	Two Speed
20A @ 125 to 480V AC	10A @ 125 or 250V AC
5A @ 600V AC	1/3 HP @ 125V
1 HP @ 125V AC	1/2 HP @ 250V
2 HP @ 250V AC	—

Covers for FS/FD Boxes*			
Color	Number of Speeds	Engineering No.	Order No.
Yellow	1	4032	130126-0228
Yellow	2	4032-2	130126-0229
Black	1	4032BLK	130126-0230

* For FS/FD boxes, see Power Distribution FS/FD Boxes and Coverplates

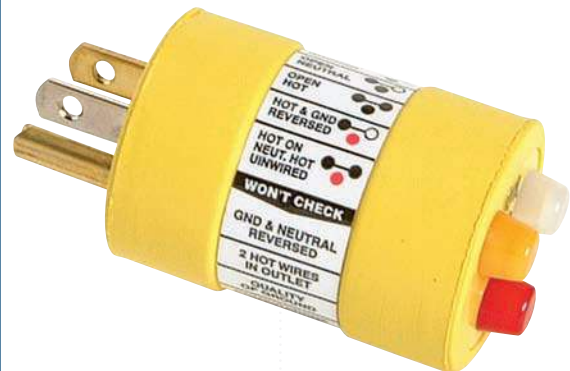
Testers

Applications

- Electrical contractors
- Inspection tools
- Service tools

Woodhead® testers perform basic verification and multi-function wire testing with compact, simple-to-use devices that are a must for any toolbox.

Woodhead testers are small devices with testing abilities that include reverse polarity, open-ground, open-neutral, open-hot, hot-and-ground-reversed, hot-on-neutral, hotunwired, ground fault circuit interrupter (GFCI) functional and receptacle tension.



Testers

Woodhead

RECEPTACLE CIRCUIT TESTER

Features and Benefits

- Unique, industry-leading, vulcanized rubber exterior yields the best performance for abrasion, chemical exposure and temperature extremes
- Compact tester with three neon indicating lights to check for correct wiring; reversed polarity, open ground, open neutral, open hot, hot and ground reversed and hot on neutral/hot unwired
- Select the 1751 Tester to check for proper GFCI operation to assure proper operation for GFCI-required circuits



Specifications

	Receptacle Tester Housing: Vulcanized rubber
Physical	Receptacle Tester Plug Blades: Brass, nickel-plated Receptacle Tester Insert: Nylon
Environmental	Rating: Industrial duty
Reference Information	UL File No.: E38751 CSA File No.: LR22103



GFCI Test	Engineering No.	Order No.
Yes	1751	130127-0003

RECEPTACLE TENSION TESTER

Features and Benefits

- Through a simple tool insertion into a standard, straight-blade receptacle, one can measure the spring contact tension or holding potential on the plug blades (below 4 ounces, a replacement is recommended, between 4–10 ounces indicates a receptacle to be monitored) NFPA Standard 99-1996 Ref. 3-3.3.3.3(d)
- Tester works with NEMA Types 1-15, 5-15, 5-20, so one needs to carry just one tool
- Receptacle contacts are monitored independently for complete assurance of compliance and trouble-free power system operation
- The completely insulated housing allows testing to be performed on live circuits for continued, uninterrupted power service
- Impact-resistant housing and carrying case provide tester protection and an exceptional service life



Specifications

	Tester Housing: Impact-resistant plastic
Physical	Tension Tester Plug Blades: Stainless steel
Environmental	Rating: Industrial duty

Engineering No.	Order No.
1760	130127-0007

Technical Information

Test and Control

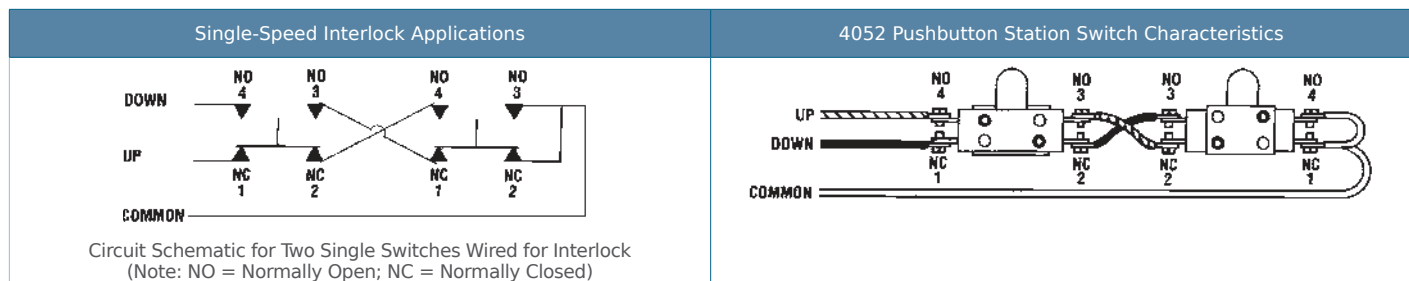
ASSEMBLY INSTRUCTIONS FOR PUSHBUTTON STATIONS

Wiring of Switches

When a set of two pushbuttons is used to control complementary functions such as Up-Down, Open-Close, Left-Right, etc., the two buttons should be wired as shown in the diagram below to provide an electrical interlock. This electrical interlock method of wiring provides two primary benefits:

- It prevents the simultaneous operation of both functions, thus protecting equipment from damage.
- If a pushbutton switch should fail, depressing the complementary button opens the control circuit, thus providing an emergency stop.

The switches supplied with this station are rated at currents substantially higher than those normally encountered in control applications. It should be noted, however, that electrical failures in associated equipment can cause currents to flow which far exceed even these high ratings.



Two-Speed Applications			
Super-Safeway Pendant Station, 402X and 4032 Series, Two-Speed Contact Ratings	Volts	AC Current	Horsepower
<p>Circuit Schematic</p>	125	10	1/3 HP, 125V AC
	250	10	1/2 HP, 250V AC

Legends for 402X and 4032 Series Pushbutton Stations					
Legend			Series	Engineering No.	Order No.
Bridge	Left	Right	4020	71-4220	130203-1295
Crane	Low	Raise			
Close	Magnet	South			
Down	North	Stop			
Door	No. 1	Start			
East	No. 2	Slow			
Fwd	No. 3	Trolley			
Fast	On	Up			
High	Open	West			
Hoist	Off	Blank(2)			
In	Out				
Lower	Rev				

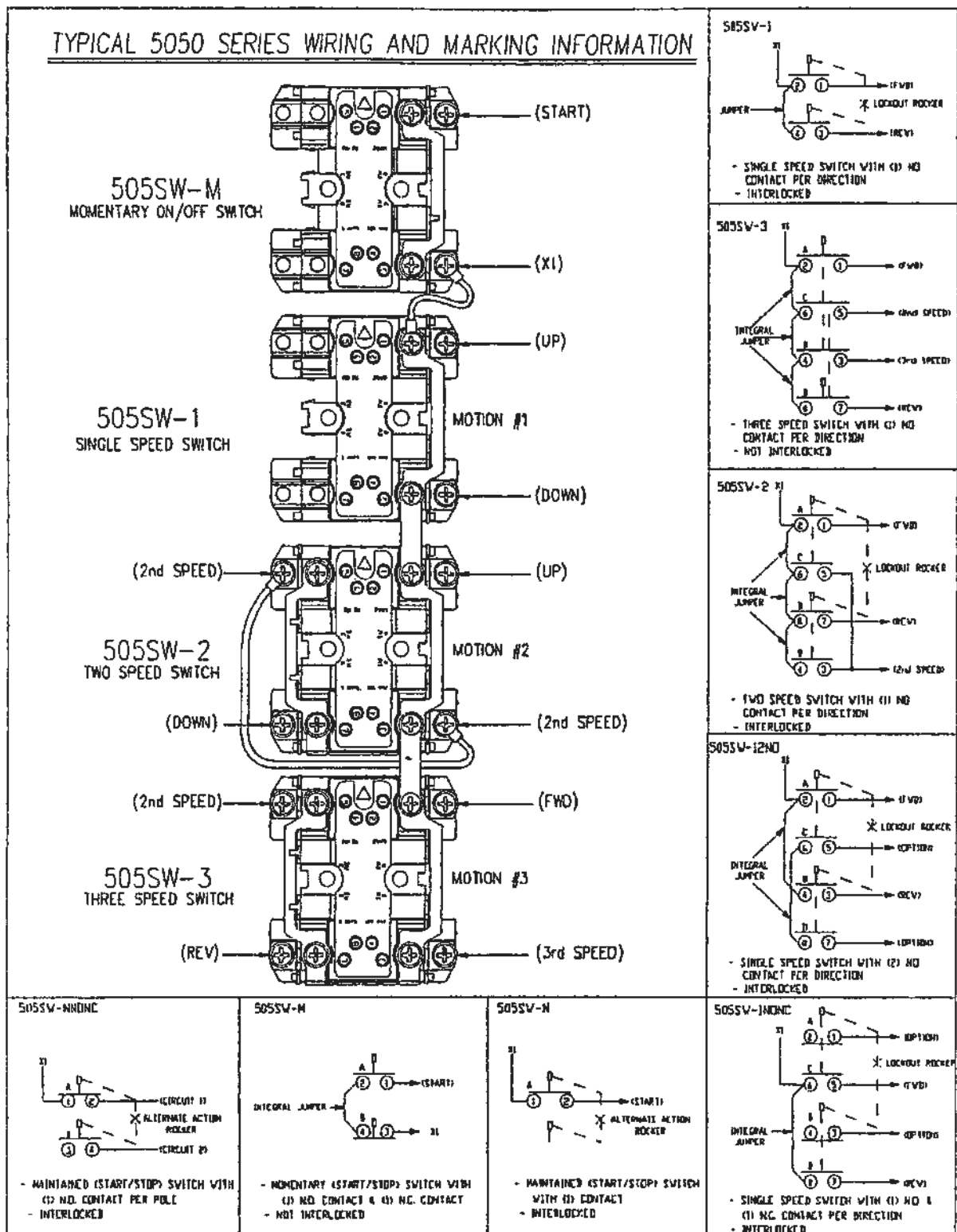
Note: Switches are UL Listed.

Legends for 505X Series Pushbutton Stations					
Legend			Series	Engineering No.	Order No.
Off	In	South	505X	505BC-L	130126-0009
Up	Raise	West			
Left	Start	Close			
Fwd	On	Out			
North	Down	Lower			
East	Right	Stop			
Open	Rev				

Technical Information

Test and Control

WIRING AND MARKING INFORMATION



Order No. Index

Order No.	Woodhead No.	Page	Order No.	Woodhead No.	Page	Order No.	Woodhead No.	Page
112217-0001	ARC60FA01	167	112219-0005	ARC30FC02	167	112219-1503	ARC30MB03A	170
112217-0002	ARC60FB02	167	112219-0006	ARC30FC03	167	112219-1505	ARC30MC02A	170
112217-0003	ARC60FB03	167	112219-0007	ARC30FAC05	167	112219-1506	ARC30MC03A	170
112217-0004	ARC60FAB04	167	112219-0008	ARC30FD01	167	112219-1509	ARC30ME02A	170
112217-0005	ARC60FC02	167	112219-0009	ARC30FE02	167	112219-1510	ARC30ME03A	170
112217-0006	ARC60FC03	167	112219-0010	ARC30FE03	167	112219-1512	ARC30MF02A	170
112217-0007	ARC60FAC05	167	112219-0011	ARC30FDE05	167	112219-1513	ARC30MF03A	170
112217-0008	ARC60FD01	167	112219-0012	ARC30FF02	167	112219-6000		171
112217-0009	ARC60FE02	167	112219-0013	ARC30FF03	167	130006-0091	102000A01F060	234
112217-0010	ARC60FE03	167	112219-0014	ARC30FGF05	167	130006-0096	102000A01F120	234
112217-0011	ARC60FDE05	167	112219-0015	ARC30FHDA01	167	130006-0102	102000A01F200	234
112217-0012	ARC60FF02	167	112219-0016	ARC30FHDB02	167	130006-0221	103000A01F060	234
112217-0013	ARC60FF03	167	112219-0017	ARC30FHDB03	167	130006-0232	103000A01F120	234
112217-0014	ARC60FGF05	167	112219-0018	ARC30FHADB04	167	130006-0241	103000A01F200	234
112217-0015	ARC60FHDA01	167	112219-0019	ARC30FHDC02	167	130010-0147	112020A01F060	234
112217-0016	ARC60FHDB02	167	112219-0020	ARC30FHDC03	167	130010-0152	112020A01F120	234
112217-0017	ARC60FHDB03	167	112219-0021	ARC30FHDC05	167	130010-0159	112020A01F200	234
112217-0018	ARC60FHADB04	167	112219-0022	ARC30FHDD01	167	130010-0221	113020A01F060	234
112217-0019	ARC60FHDC02	167	112219-0023	ARC30FHDE02	167	130010-0228	113020A01F120	234
112217-0020	ARC60FHDC03	167	112219-0024	ARC30FHDE03	167	130010-0238	113020A01F200	234
112217-0021	ARC60FHDAC05	167	112219-0025	ARC30FHDE05	167	130013-0060	1R2004A20A120	234
112217-0022	ARC60FHDD01	167	112219-0026	ARC30FHDF02	167	130013-0135	1R3004A20A120	234
112217-0023	ARC60FHDE02	167	112219-0027	ARC30FHDF03	167	130018-0366	65W04	122
112217-0024	ARC60FHDE03	167	112219-0028	ARC30FHDFG05	167	130023-0001	55501	234
112217-0025	ARC60FHDDE05	167	112219-0043	ARC30FAA01	168	130023-0002	55502	234
112217-0026	ARC60FHDF02	167	112219-0044	ARC30FAB02	168	130023-0003	55503	234
112217-0027	ARC60FHDF03	167	112219-0045	ARC30FAB03	168	130023-0004	55504	234
112217-0028	ARC60FHDFG05	167	112219-0046	ARC30FAAB04	168	130083-0222	9206	53
112217-0043	ARC60FAA01	168	112219-0047	ARC30FAC02	168	130083-0223	9208	53
112217-0044	ARC60FAB02	168	112219-0048	ARC30FAC03	168	130083-0224	9224	53, 54
112217-0045	ARC60FAB03	168	112219-0049	ARC30FAAC05	168	130083-0225	9228	53, 54
112217-0046	ARC60FAAB04	168	112219-0050	ARC30FAD01	168	130083-0227	9234	53
112217-0047	ARC60FAC02	168	112219-0051	ARC30FAE02	168	130083-0228	9238	53
112217-0048	ARC60FAC03	168	112219-0052	ARC30FAE03	168	130083-0229	92401	53
112217-0049	ARC60FAAC05	168	112219-0053	ARC30FADE05	168	130083-0230	92402	53
112217-0050	ARC60FAD02	168	112219-0054	ARC30FAF02	168	130083-0231	92411	53
112217-0051	ARC60FAE02	168	112219-0055	ARC30FAF03	168	130083-0232	92433	53, 55
112217-0052	ARC60FAE03	168	112219-0056	ARC30FAGF05	168	130083-0233	92434	53, 55
112217-0053	ARC60FADE05	168	112219-0502	ARC30FB02A	170	130083-0234	92443	53
112217-0054	ARC60FAF02	168	112219-0503	ARC30FB03A	170	130083-0236	92444	53
112217-0055	ARC60FAF03	168	112219-0505	ARC30FC02A	170	130083-0237	92463	53
112217-0056	ARC60FAGF05	168	112219-0506	ARC30FC03A	170	130083-0238	92464	53
112217-1001	ARC60MA01	169	112219-0509	ARC30FE02A	170	130083-0239	92481	53
112217-1002	ARC60MAB02	169	112219-0510	ARC30FE03A	170	130083-0240	92482	53
112217-1003	ARC60MB03	169	112219-0512	ARC30FF02A	170	130083-0242	9253	53 to 55
112217-1004	ARC60MAB04	169	112219-0513	ARC30FF03A	170	130083-0245	9253-16105	54
112217-1005	ARC60MC02	169	112219-1001	ARC30MA01	169	130083-0246	9253-3000	55
112217-1006	ARC60MC03	169	112219-1002	ARC30MB02	169	130083-0247	9306	53
112217-1007	ARC60MAC05	169	112219-1003	ARC30MB03	169	130083-0248	9308	53
112217-1008	ARC60MD01	169	112219-1004	ARC30MAB04	169	130083-0249	9358	53 to 55
112217-1009	ARC60ME02	169	112219-1005	ARC30MC02	169	130083-0250	9358-106US	54
112217-1010	ARC60ME03	169	112219-1006	ARC30MC03	169	130083-0252	9358-1547	55
112217-1011	ARC60MDE05	169	112219-1007	ARC30MAC05	169	130083-0254	9358-3070G	55
112217-1012	ARC60MF02	169	112219-1008	ARC30MD01	169	130083-0262	9363	53
112217-1013	ARC60MF03	169	112219-1009	ARC30ME02	169	130083-0263	9367	53
112217-1014	ARC60MGF05	169	112219-1010	ARC30ME03	169	130083-0264	9383	53, 55
112217-1015	ARC60MHDA01	169	112219-1011	ARC30MDE05	169	130083-0265	9383-1533	55
112217-1016	ARC60MHDB02	169	112219-1012	ARC30MF02	169	130083-0266	9383-1547	55
112217-1017	ARC60MHDB03	169	112219-1013	ARC30MF03	169	130083-0269	9383-3000	55
112217-1018	ARC60MHADB04	169	112219-1014	ARC30MGF05	169	130083-0270	9383-3070G	55
112217-1019	ARC60MHDC02	169	112219-1015	ARC30MHDA01	169	130083-0271	9383-3080	55
112217-1020	ARC60MHDC03	169	112219-1016	ARC30MHDB02	169	130083-0279	9385	53, 55
112217-1021	ARC60MHDC05	169	112219-1017	ARC30MHDB03	169	130083-0280	9385-3080	55
112217-1022	ARC60MHDD01	169	112219-1018	ARC30MHADB04	169	130083-0284	9394	53
112217-1023	ARC60MHDE02	169	112219-1019	ARC30MHDC02	169	130083-0286	ERA4000	65
112217-1024	ARC60MHDE03	169	112219-1020	ARC30MHDC03	169	130083-0287	ERA4040	65
112217-1025	ARC60MHDE05	169	112219-1021	ARC30MHDC05	169	130083-0288	ERA4150	65
112217-1026	ARC60MHDF02	169	112219-1022	ARC30MHDD01	169	130083-0289	ERA4250	65
112217-1027	ARC60MHDF03	169	112219-1023	ARC30MHDE02	169	130083-0291	ERA4940	65
112217-1028	ARC60MHDFG05	169	112219-1024	ARC30MHDE03	169	130083-0766	9224-16105	54
112217-6000		171	112219-1025	ARC30MHDE05	169	130083-0767	9224-86	54
112219-0001	ARC30FA01	167	112219-1026	ARC30MHDF02	169	130083-0772	9228-106US	54
112219-0002	ARC30FB02	167	112219-1027	ARC30MHDF03	169	130083-0773	9228-16105	54
112219-0003	ARC30FB03	167	112219-1028	ARC30MHDFG05	169	130083-0775	9228-86	54
112219-0004	ARC30FAB04	167	112219-1502	ARC30MB02A	170	130083-0781	92433-1533	55

Order No. Index

Order No.	Woodhead No.	Page	Order No.	Woodhead No.	Page	Order No.	Woodhead No.	Page
130083-0782	92433-1547	55	130091-0025	980-3070G	50	130094-0294	35138	91
130083-0784	92433-3000	55	130091-0027	980-83	49	130094-0296	35139	91
130083-0786	92433-3070G	55	130091-0028	980-86	49	130094-0298	35140	91
130083-0787	92433-3080	55	130091-0030	980A-83	49	130094-0300	35141	91
130083-0852	9358-1610S	54	130091-0045	990	48, 49	130094-0302	35142	91
130083-0913	92434-3080	55	130091-0049	990-106US	49	130094-0304	35143	91
130084-0119	92501AN	58	130091-0053	990-1547	50	130094-0306	35144	91
130084-0120	92502N	58	130091-0055	990-1610S	49	130094-0310	35165	90
130084-0121	92511AN	58	130091-0056	990-271US	49	130094-0312	35166	90
130084-0123	92512AN	58	130091-0057	990-3000	50	130094-0314	35167	90
130084-0124	92512BN	58	130091-0059	990-3070G	50	130094-0316	35168	90
130084-0128	92526BN	58	130091-0061	990-83	49	130094-0318	35169	90
130084-0129	92531N	58	130091-0062	990-86	49	130094-0320	35170	90
130084-0131	92532N	58	130091-0064	990A-83	49	130094-0322	35171	90
130084-0132	92533N	58	130091-0085	997	48	130094-0324	35172	90
130084-0133	92534N	58	130091-0087	997-1547	50	130094-0326	35173	90
130084-0134	92535AN	58	130091-0090	997-3000	50	130094-0330	35195	92
130084-0135	92535BN	58	130091-0094	997-3070G	50	130094-0332	35196	92
130084-0136	92536N	58	130091-0201	998-3080	50	130094-0334	35197	92
130084-0138	92541N	58	130091-0202	998	48	130094-0336	35198	92
130084-0139	92542N	58	130091-0203	998-1533	50	130094-0338	35199	92
130084-0140	92543N	58	130091-0204	998-3070G20	50	130094-0340	35200	92
130084-0141	92544AN	58	130091-0205	998L	48	130094-0342	35201	92
130084-0142	92544BN	58	130091-0206	998L-2747	50	130094-0344	35202	92
130084-0143	92545AN	58	130091-0207	998L-3070G20	50	130094-0346	35203	92
130084-0144	92545BN	58	130091-0208	998L-1533	50	130094-0352	35225	93
130084-0145	92546N	58	130091-0209	998L-3080	50	130094-0354	35226	93
130084-0146	92561N	58	130091-0210	997L	48	130094-0356	35227	93
130084-0147	92562AN	58	130091-0211	997L-2547	50	130094-0357	35228	93
130084-0148	92562BN	58	130091-0212	997L-3070G	50	130094-0358	35229	93
130084-0149	92564N	58	130091-0213	997L-1547	50	130094-0359	35230	93
130084-0150	92581N	58	130091-0214	997L-3000	50	130094-0360	35231	93
130084-0151	92582N	58	130094-0209	35001	91	130094-0361	35232	93
130084-0152	92583N	58	130094-0211	35002	91	130094-0367	35270	91
130084-0155	92663	58	130094-0213	35003	91	130094-0368	35271	91
130084-0318	9242	53	130094-0215	35004	91	130094-0370	35272	91
130085-0025	92764	59	130094-0217	35005	91	130094-0372	35273	91
130085-0358	6702	203	130094-0219	35006	91	130094-0374	35274	91
130085-0359	92631	59	130094-0221	35007	91	130094-0376	35275	91
130085-0360	92632	59	130094-0223	35008	91	130094-0378	35276	91
130085-0361	92633	59	130094-0225	35009	91	130094-0380	35277	91
130085-0363	92642	59	130094-0227	35010	91	130094-0382	35278	91
130085-0364	92643	59	130094-0230	35030	90	130094-0383	35279	91
130085-0365	92661	59	130094-0232	35031	90	130094-0385	35285	90
130085-0366	92681	59	130094-0234	35032	90	130094-0387	35286	90
130085-0367	92702	59	130094-0236	35033	90	130094-0389	35287	90
130085-0368	92712	59	130094-0238	35034	90	130094-0391	35288	90
130085-0370	92733	59	130094-0240	35035	90	130094-0393	35289	90
130085-0372	92736	59	130094-0242	35036	90	130094-0395	35290	90
130085-0373	92742	59	130094-0244	35037	90	130094-0397	35291	90
130085-0374	92743	59	130094-0246	35038	90	130094-0399	35292	90
130085-0375	92744	59	130094-0247	35039	90	130094-0401	35293	90
130085-0376	92745	59	130094-0249	35040	90	130094-0403	35294	90
130085-0377	92746	59	130094-0251	35060	92	130094-0406	35300	92
130085-0379	92762	59	130094-0253	35061	92	130094-0408	35301	92
130085-0381	92782	59	130094-0255	35062	92	130094-0410	35302	92
130085-0382	92783	59	130094-0257	35063	92	130094-0412	35303	92
130085-0905	92735	59	130094-0259	35064	92	130094-0414	35304	92
130085-0949	92726	59	130094-0261	35065	92	130094-0416	35305	92
130086-0177	9505	59	130094-0263	35066	92	130094-0418	35306	92
130087-0057	930	65	130094-0265	35067	92	130094-0420	35307	92
130087-0058	930B123	65	130094-0267	35068	92	130094-0422	35308	92
130087-0059	930B143	65	130094-0271	35090	93	130094-0429	35330	93
130087-0063	930D123	65	130094-0273	35091	93	130094-0430	35331	93
130087-0064	930D143	65	130094-0275	35092	93	130094-0432	35332	93
130090-0008	945-1547	50	130094-0276	35093	93	130094-0434	35333	93
130090-0009	945-3	48, 49	130094-0278	35094	93	130094-0435	35334	93
130090-0010	945-3-86	49	130094-0279	35095	93	130094-0436	35335	93
130090-0015	963	49	130094-0280	35096	93	130094-0437	35336	93
130090-0018	965	49	130094-0281	35097	93	130094-0438	35337	93
130090-0019	966	50	130094-0283	35098	93	130094-0439	35340	93
130091-0013	980	48, 49	130094-0284	35099	93	130094-0440	35425	94
130091-0020	980-1610S	49	130094-0288	35135	91	130094-0442	35426	94
130091-0021	980-271US	49	130094-0290	35136	91	130094-0444	35427	94
130091-0023	980-3000	50	130094-0292	35137	91	130094-0446	35428	94

Order No. Index

Order No.	Woodhead No.	Page	Order No.	Woodhead No.	Page	Order No.	Woodhead No.	Page
130094-0448	35429	94	130095-0146	35901	98	130096-0058	36443	86
130094-0450	35430	94	130095-0147	35902	98	130096-0059	36550	88
130094-0457	35435	94	130095-0148	35903	98	130096-0060	36551	88
130094-0459	35436	94	130095-0149	35904	98	130096-0061	36552	88
130094-0461	35437	94	130095-0150	35905	98	130096-0062	36553	88
130094-0463	35438	94	130095-0151	35906	98	130096-0063	36554	88
130094-0465	35440	94	130095-0152	35907	98	130096-0064	36555	88
130094-0466	35441	94	130095-0153	35908	98	130097-0093	5535	80
130094-0468	35442	94	130095-0154	35909	98	130097-0156	36245	72
130094-0470	35443	94	130095-0165	35930	99	130097-0157	36246	72
130094-0472	35444	94	130095-0166	35931	99	130097-0158	36248	72
130094-0474	35445	94	130095-0167	35932	99	130097-0159	36249	72
130094-0488	36241	96	130095-0168	35933	99	130097-0160	36250	72
130094-0489	36560	96	130095-0169	35934	99	130097-0161	36251	72
130094-0490	36560SS	96	130095-0170	35935	99	130097-0163	36254	72
130094-0491	36562	96	130095-0171	35937	99	130097-0165	36256	72
130094-0492	36562SS	96	130095-0172	35940	100	130097-0166	36257	72
130094-0493	36564	96	130095-0173	35941	100	130097-0167	36259	72
130094-0494	36564SS	96	130095-0174	35942	100	130097-0168	36261	72
130094-0495	36567	96	130095-0175	35943	100	130097-0170	36263	72
130094-0496	36567SS	96	130095-0176	35944	100	130097-0171	36265	72
130094-0497	36569	96	130095-0177	35945	100	130097-0172	36267	72
130094-0498	36569SS	96	130095-0178	35946	100	130097-0173	36269	72
130094-0499	36571	96	130095-0179	35947	100	130097-0174	36270	72
130094-0500	36571SS	96	130095-0180	35948	100	130097-0175	36271	73
130094-0501	36573	95	130095-0181	35950	100	130097-0176	36272	73
130094-0502	36574	96	130095-0182	35951	100	130097-0177	36273	73
130094-0503	36574SS	96	130095-0183	35952	100	130097-0178	36274	73
130094-0504	36575	95	130095-0184	35953	100	130097-0179	36275	72
130094-0505	36576	95	130095-0185	35954	100	130097-0180	36276	72
130094-0506	36577	95	130095-0186	35955	100	130097-0181	36277	73
130094-0507	36578	95	130095-0187	35956	100	130097-0182	36278	73
130094-0509	36579	95	130095-0188	35960	100	130097-0183	36279	73
130094-0510	36580	96	130095-0189	35961	100	130097-0188	36287	73
130094-0511	36581	95	130095-0190	35962	100	130097-0189	36288	73
130094-0512	36582	96	130095-0191	35963	100	130097-0190	36289	73
130094-0513	36583	95	130095-0192	35964	100	130097-0191	36290	72
130094-0514	36584	96	130095-0194	35970	98, 110	130097-0197	36310	72
130094-0515	36585	95	130095-0196	35971	98, 110	130097-0198	36312	72
130094-0516	36586	95	130095-0197	35972	98, 110	130097-0199	36314	72
130094-0517	36587	96	130095-0198	35973	98, 110	130097-0200	36316	72
130094-0519	36589	96	130095-0200	35974	98, 110	130097-0201	36317	72
130094-0520	36591	96	130095-0201	35975	98, 110	130097-0202	36319	72
130094-0521	36594	96	130095-0202	35976	98	130097-0203	36321	72
130094-0522	36670	103	130095-0203	35980	100	130097-0204	36323	72
130094-0523	36671	103	130095-0225	36101	102	130097-0205	36326	72
130094-0524	36672	103	130095-0227	36102	102	130097-0206	36328	72
130094-0525	36673	103	130095-0229	36103	102	130097-0207	36330	72
130094-0526	36674	103	130095-0230	36104	102	130097-0210	36340	72
130094-0527	36675	103	130095-0240	36120	102	130097-0211	36342	72
130094-0528	36676	103	130095-0241	36121	102	130097-0212	36344	72
130094-0529	36680	103	130095-0242	36122	102	130097-0213	36346	72
130094-0530	36681	103	130095-0243	36123	102	130097-0215	36349	72
130094-0531	36682	103	130095-0244	36124	102	130097-0216	36351	72
130094-0532	36683	103	130095-0253	36140	102	130097-0217	36353	72
130094-0533	36684	103	130095-0255	36141	102	130097-0218	36355	72
130094-0534	36685	103	130095-0256	36142	102	130097-0219	36357	72
130094-0535	36686	103	130095-0257	36143	102	130097-0220	36359	72
130094-1042	35338	93	130095-0258	36144	102	130097-0235	36475	73
130094-1400	35339	93	130095-0259	36145	102	130097-0236	36476	73
130094-1401	36241SS	96	130095-0260	36146	102	130097-0237	36477	73
130095-0123	35851	101	130095-0261	36147	102	130097-0238	36478	73
130095-0124	35865	101	130096-0034	36370	86	130097-0239	36479	73
130095-0125	35866	101	130096-0036	36371	86	130097-0240	36480	73
130095-0126	35867	101	130096-0037	36372	86	130097-0244	36484	73
130095-0127	35868	101	130096-0038	36373	86	130097-0245	36485	73
130095-0128	35869	101	130096-0039	36374	86	130097-0246	36486	73
130095-0129	35870	101	130096-0040	36375	86	130097-0247	36487	73
130095-0130	35871	101	130096-0050	36400	86	130097-0248	36488	73
130095-0131	35872	101	130096-0051	36401	86	130097-0249	36489	73
130095-0132	35873	101	130096-0052	36402	86	130097-0256	36501	71
130095-0135	35880	101	130096-0053	36403	86	130097-0258	36503	71
130095-0136	35881	101	130096-0054	36404	86	130097-0260	36505	71
130095-0137	35882	101	130096-0055	36405	86	130097-0262	36508	71
130095-0138	35883	101	130096-0056	36440	86	130097-0265	36512	71

Order No. Index

Order No.	Woodhead No.	Page	Order No.	Woodhead No.	Page	Order No.	Woodhead No.	Page
130097-0269	36515	71	130098-0051	5523W	80	130098-0149	5553W	81
130097-0271	36516	71	130098-0052	5524	75	130098-0150	5554	75
130097-0272	36517	71	130098-0055	5524SS	85	130098-0151	5554W	75
130097-0273	36518	71	130098-0056	5524W	75	130098-0152	5554WBLK	76
130097-0274	36519	71	130098-0057	5524WBLK	76	130098-0153	5555	81
130097-0276	36800	73	130098-0058	5525	80	130098-0154	5555W	81
130097-0277	36801	73	130098-0060	5525W	80	130098-0155	5556	75
130097-0278	36802	73	130098-0061	5526	75	130098-0157	5556W	75
130097-0279	36803	73	130098-0063	5526SS	85	130098-0158	5556WBLK	76
130097-0280	36804	73	130098-0064	5526W	75	130098-0159	5557	81
130097-0281	36805	73	130098-0065	5526WBLK	76	130098-0160	5557W	81
130097-0282	36806	73	130098-0066	5527	80	130098-0161	5558	75
130097-0283	36807	73	130098-0068	5527W	80	130098-0164	5558W	75
130097-0284	36808	73	130098-0069	5528	75	130098-0165	5559	81
130097-0285	36809	73	130098-0070	5528SS	85	130098-0166	5560	75
130097-0286	36810	73	130098-0071	5528W	75	130098-0167	5560W	75
130097-0287	36811	73	130098-0072	5528WBLK	76	130098-0168	5560WBLK	76
130097-0288	36812	73	130098-0073	5529	80	130098-0169	5561	81
130097-0289	36813	73	130098-0075	5529W	80	130098-0170	5561W	81
130097-0290	36814	73	130098-0076	5530	75	130098-0171	5562	75
130097-0291	36815	73	130098-0077	5530SS	85	130098-0172	5562W	75
130097-0292	36816	73	130098-0078	5530W	75	130098-0173	5563	81
130097-0294	36827	72	130098-0079	5530WBLK	76	130098-0174	5568	75
130097-0295	36829	72	130098-0080	5531	80	130098-0175	5569	81
130097-0296	36830	72	130098-0081	5531W	80	130098-0176	5570	75
130097-0321	5522MSS	85	130098-0082	5532	75	130098-0177	5571	81
130097-0322	5524MSS	85	130098-0085	5532SS	85	130098-0178	5572	75
130097-0323	5526MSS	85	130098-0086	5532W	75	130098-0179	5573	81
130097-0324	5528MSS	85	130098-0087	5532WBLK	76	130098-0180	5574	75
130097-0325	5530MSS	85	130098-0089	5533	80	130098-0181	5575	81
130097-0326	5532MSS	85	130098-0090	5533W	80	130098-0182	5576	75
130097-0327	5534	75	130098-0092	5534W	75	130098-0184	5577	81
130097-0328	5534MSS	85	130098-0095	5535W	80	130098-0185	5580	77
130097-0329	5536MSS	85	130098-0096	5536	75	130098-0186	5580W	77
130097-0330	5538MSS	85	130098-0099	5536W	75	130098-0187	5581	82
130097-0331	5540MSS	85	130098-0100	5536WBLK	76	130098-0188	5582	77
130097-0332	5542MSS	85	130098-0101	5537	81	130098-0189	5582W	77
130097-0333	5544MSS	85	130098-0102	5537W	81	130098-0190	5583	82
130097-0334	5548MSS	85	130098-0103	5538	75	130098-0193	5587	82
130097-0335	5552MSS	85	130098-0106	5538SS	85	130098-0195	5594-004	77
130097-0336	5554MSS	85	130098-0107	5538W	75	130098-0196	5594-004W	77
130097-0337	5556MSS	85	130098-0108	5538WBLK	76	130098-0197	5594-005	77
130097-0338	5560MSS	85	130098-0109	5539	81	130098-0198	5594-005W	77
130097-0340	5622MSS	85	130098-0111	5539W	81	130098-0199	5594-006	77
130097-0341	5624MSS	85	130098-0112	5540	75	130098-0200	5594-006W	77
130097-0629	36826	72	130098-0113	5540SS	85	130098-0202	5594-007	77
130097-0630	5546MSS	85	130098-0114	5540W	75	130098-0203	5594-007W	77
130097-0631	5550MSS	85	130098-0115	5540WBLK	76	130098-0204	5594-008	77
130097-0632	5558MSS	85	130098-0116	5541	81	130098-0205	5594-008W	77
130097-0633	5562MSS	85	130098-0117	5541W	81	130098-0207	5595-004	82
130098-0024	5398	74	130098-0118	5542	75	130098-0208	5595-004W	82
130098-0025	5400	74	130098-0121	5542W	75	130098-0210	5595-005W	82
130098-0026	5402	74	130098-0122	5542WBLK	76	130098-0212	5595-008	82
130098-0027	5500	74	130098-0123	5543	81	130098-0213	5595-008W	82
130098-0028	5501	80	130098-0125	5543W	81	130098-0215	5620W	75
130098-0029	5502	74	130098-0126	5544	75	130098-0216	5620WBLK	76
130098-0030	5503	80	130098-0128	5544SS	85	130098-0217	5621	81
130098-0031	5504	74	130098-0129	5544W	75	130098-0218	5621W	81
130098-0032	5506	74	130098-0130	5545	81	130098-0221	5622W	75
130098-0033	5507	80	130098-0131	5545W	81	130098-0222	5622WBLK	76
130098-0034	5508	74	130098-0132	5546	75	130098-0223	5623	81
130098-0035	5509	80	130098-0133	5546W	75	130098-0224	5623W	81
130098-0036	5518	75	130098-0134	5547	81	130098-0225	5624	75
130098-0037	5518SS	85	130098-0135	5547W	81	130098-0227	5624W	75
130098-0038	5518W	75	130098-0136	5548	75	130098-0228	5624WBLK	76
130098-0039	5519	80	130098-0137	5548W	75	130098-0229	5625	81
130098-0040	5519W	80	130098-0138	5549	81	130098-0230	5625W	81
130098-0041	5520	75	130098-0139	5550	75	130098-0235	5620	75
130098-0043	5520W	75	130098-0141	5550W	75	130098-0236	5622	75
130098-0044	5521	80	130098-0142	5551	81	130098-0238	5595-007W	82
130098-0045	5521W	80	130098-0143	5552	75	130098-0239	5585	82
130098-0046	5522	75	130098-0145	5552SS	85	130098-0241	5595-006W	82
130098-0048	5522SS	85	130098-0146	5552W	75	130098-0243	5534SS	85
130098-0049	5522W	75	130098-0147	5552WBLK	76	130098-0244	5622SS	85
130098-0050	5523	80	130098-0148	5553	81	130098-0245	5624SS	85

Order No. Index

Order No.	Woodhead No.	Page	Order No.	Woodhead No.	Page	Order No.	Woodhead No.	Page
130098-0246	5536SS	85	130099-0128	5556NM	79	130102-0098	106I	19
130098-0248	5546SS	85	130099-0129	5557M	83	130102-0099	106IA163	19
130098-0249	5548SS	85	130099-0130	5557NM	83	130102-0100	106IB163	19
130098-0250	5550SS	85	130099-0131	5558M	79	130102-0101	106S	19
130098-0251	5554SS	85	130099-0132	5558NM	79	130102-0102	106SA163	19
130098-0252	5556SS	85	130099-0134	5560M	79	130102-0103	106SB163	19
130098-0253	5558SS	85	130099-0135	5560NM	79	130102-0106	106SI	19
130098-0254	5560SS	85	130099-0136	5561M	83	130102-0107	106SIB163	19
130098-0255	5562SS	85	130099-0137	5561NM	83	130102-0108	106U	19
130098-0424	5520SS	85	130099-0141	5599	84	130102-0109	106UA163	19
130098-0425	5505	80	130099-0142	5600	84	130102-0110	106UB163	19
130098-0426	5542SS	85	130099-0143	5601	84	130102-0111	106UI	19
130098-0429	5558WBLK	76	130099-0144	5602	84	130102-0112	106UIA163	19
130099-0051	36237	96	130099-0145	5603	84	130102-0113	106UIB163	19
130099-0052	36238	96	130099-0146	5604	84	130102-0114	106US	19, 49
130099-0068	5522M	78	130099-0147	5609	84	130102-0117	106USA163	19
130099-0069	5522NM	78	130099-0148	5610	84	130102-0120	106USB163	19
130099-0070	5523M	83	130099-0149	5611	84	130102-0123	106USI	19
130099-0071	5523NM	83	130099-0150	5612	84	130102-0124	106USIA163	19
130099-0072	5524M	78	130099-0151	5613	84	130102-0125	106USIB163	19
130099-0073	5524NM	78	130099-0152	5614	84	130102-0138	110	21
130099-0074	5525M	83	130099-0153	5620M	79	130102-0140	110U	21
130099-0075	5525NM	83	130099-0154	5620NM	79	130102-0141	110UA163	21
130099-0076	5526M	78	130099-0157	5622M	79	130102-0142	110UB163	21
130099-0077	5526NM	78	130099-0158	5622NM	79	130102-0143	110US	21
130099-0078	5527M	83	130099-0159	5623M	83	130102-0145	111	22
130099-0079	5527NM	83	130099-0160	5623NM	83	130102-0146	111A163	22
130099-0080	5528M	78	130099-0161	5624M	79	130102-0148	111B163	22
130099-0081	5528NM	78	130099-0162	5624NM	79	130102-0153	111S	22
130099-0082	5529M	83	130099-0163	5625NM	83	130102-0158	111U	22
130099-0083	5529NM	83	130099-0164	5628M	87	130102-0159	111UA163	22
130099-0084	5530M	78	130099-0165	5630M	87	130102-0160	111UB163	22
130099-0085	5530NM	78	130099-0166	5630NM	87	130102-0164	111US	22
130099-0086	5531M	83	130099-0167	5631M	87	130102-0165	111USA163	22
130099-0087	5531NM	83	130099-0168	5631NM	87	130102-0167	114	21
130099-0088	5532M	78	130099-0169	5632M	87	130102-0168	114A163	21
130099-0089	5533M	83	130099-0170	5632NM	87	130102-0169	114B163	21
130099-0090	5534M	78	130099-0171	5633M	87	130102-0171	114U	21
130099-0091	5535M	83	130099-0172	5633NM	87	130102-0172	114UA163	21
130099-0092	5536M	79	130099-0173	5634M	87	130102-0173	114UB163	21
130099-0093	5536NM	79	130099-0174	5634NM	87	130102-0177	114US	21
130099-0094	5537M	83	130099-0175	5635M	87	130102-0178	114USA163	21
130099-0095	5537NM	83	130099-0176	5635NM	87	130102-0180	114USB163	21
130099-0096	5538M	79	130099-0177	5636M	87	130102-0185	115	22
130099-0097	5538NM	79	130099-0178	5636NM	87	130102-0188	115B163	22
130099-0098	5539M	83	130099-0179	5637M	87	130102-0189	115I	22
130099-0099	5539NM	83	130099-0180	5637NM	87	130102-0190	115IB163	22
130099-0100	5540M	79	130099-0181	5638M	87	130102-0192	115U	22
130099-0101	5540NM	79	130099-0182	5638NM	87	130102-0193	115UA163	22
130099-0102	5541M	83	130099-0183	5639M	87	130102-0194	115UB163	22
130099-0103	5541NM	83	130099-0184	5639NM	87	130102-0196	115UI	22
130099-0104	5542M	79	130099-0185	5640M	87	130102-0198	115US	22
130099-0105	5542NM	79	130099-0186	5640NM	87	130102-0199	115USA163	22
130099-0106	5543M	83	130099-0187	5645M	87	130102-0200	115USB163	22
130099-0107	5543NM	83	130099-0188	5646M	87	130102-0201	115USI	22
130099-0108	5544M	79	130099-0189	5647M	87	130102-0202	115USIA163	22
130099-0109	5545M	83	130099-0190	5648M	87	130102-0203	115USIB163	22
130099-0110	5546M	79	130099-0227	5625M	83	130102-0204	1173	19 to 23
130099-0111	5546NM	79	130099-0228	36237SS	96	130102-0207	1174	19, 20, 22, 23
130099-0112	5547NM	83	130099-0229	36238SS	96	130102-0210	1175U	19 to 23
130099-0113	5548M	79	130102-0080	105	19	130102-0211	1175US	19 to 23
130099-0114	5548NM	79	130102-0081	105A163	19	130102-0212	118	20
130099-0115	5549NM	83	130102-0082	105B163	19	130102-0213	118A163	20
130099-0116	5550M	79	130102-0083	105S	19	130102-0214	118B163	20
130099-0117	5550NM	79	130102-0084	105SA163	19	130102-0215	118S	20
130099-0118	5551M	83	130102-0085	105SB163	19	130102-0216	118SA163	20
130099-0119	5552M	79	130102-0086	105U	19	130102-0217	118SB163	20
130099-0120	5552NM	79	130102-0087	105UA163	19	130102-0221	118UB163	20
130099-0121	5553M	83	130102-0088	105UB163	19	130102-0222	118US	20
130099-0122	5553NM	83	130102-0090	105US	19	130102-0223	118USA163	20
130099-0123	5554M	79	130102-0091	105USA163	19	130102-0224	118USB163	20
130099-0124	5554NM	79	130102-0093	105USB163	19	130102-0226	119	23
130099-0125	5555M	83	130102-0095	106	19	130102-0227	119A163	23
130099-0126	5555NM	83	130102-0096	106A163	19	130102-0228	119B163	23
130099-0127	5556M	79	130102-0097	106B163	19	130102-0229	119S	23

Order No. Index

Order No.	Woodhead No.	Page	Order No.	Woodhead No.	Page	Order No.	Woodhead No.	Page
130102-0230	119SA163	23	130104-0049	61430D163	10	130107-0043	387510A	37
130102-0233	119UB163	23	130104-0054	61431	10	130108-0078	1003-3	24
130102-0234	119US	23	130104-0055	61432	10	130108-0083	1005-3	24
130102-0235	119USA163	23	130104-0056	61435	10	130108-0085	1013-3	24
130102-0245	270-1	26	130104-0057	61436	7, 10	130108-0088	1015-3	24
130102-0246	270-2	26	130104-0082	61450	7	130108-0091	1045	24
130102-0247	270-3	26	130104-0083	61450A143	7	130108-0092	1049	24
130102-0252	271S	26	130104-0084	61450B143	7	130108-0094	1050-PL	32
130102-0253	271SA163	26	130104-0085	61450D143	7	130108-0098	1051-PL	32
130102-0254	271SB163	26	130104-0086	61450A163	7	130108-0101	1052-PL	32
130102-0256	271U	26	130104-0087	61450B163	7	130108-0103	1060-PL	32
130102-0257	271UA163	26	130104-0088	61450D163	7	130108-0104	1061-PL	32
130102-0258	271UB163	26	130104-0095	61451	7	130108-0105	1062-PL	32
130102-0259	271US	26, 49	130104-0096	61452	7	130108-0106	1083-3	25
130102-0260	271USA163	26	130104-0097	61455	7	130108-0119	1083-3M	35
130102-0261	271USB163	26	130104-0098	61457	7	130108-0120	1083-3MM	35
130102-0266	276S	26	130105-0028	1600-12A	14	130108-0122	1083-3NS	25
130102-0268	276SB163	26	130105-0029	1600-12B	14	130108-0125	1085-3	25
130102-0269	276U	26	130105-0030	1601-12A	14	130108-0128	1086-3	25
130102-0270	276UA163	26	130105-0031	1601-12B	14	130108-0133	1086-3HO	25, 49
130102-0271	276UB163	26	130105-0032	1606	15	130108-0134	1086-3NS	25
130102-0272	276US	26	130105-0033	1610	15	130108-0136	1087-3	25
130102-0273	276USA163	26	130105-0034	1610S	15, 49	130108-0139	1093-3	25
130102-0274	276USB163	26	130105-0035	1612	16	130108-0141	1093-3M	35
130103-0014	1203	17	130105-0036	1612S	16	130108-0142	1093-3MM	35
130103-0015	1203A163	17	130105-0037	1621-12A	13	130108-0143	1095-3	25
130103-0016	1203B163	17	130105-0038	1621-12B	13	130108-0144	1097-3	25
130103-0017	1203D163	17	130105-0039	1621-12B-P	13	130108-0146	1097-3M	35
130103-0018	1203GC	17	130105-0041	1625-12A	13	130108-0148	1097-3MM	35
130103-0019	1203GCA163	17	130105-0042	1625-12B	13	130108-0149	1099-3	25
130103-0020	1203GCB163	17	130105-0043	1631-12A	13	130108-0151	1324	32
130103-0021	1203I	17	130105-0044	1631-12B	13	130108-0156	1334	32
130103-0022	1203IA163	17	130105-0045	1635-12A	11	130108-0157	1335	32
130103-0024	1203IB163	17	130105-0046	1635-12B	11	130108-0162	1350	32
130103-0026	1203ID163	17	130105-0048	1638-12	16	130108-0164	1351	32
130103-0027	1203IGC	17	130105-0050	1640-12	12	130108-0167	1352	32
130103-0035	1203QO	17	130105-0052	1642-12	12	130108-0170	1913SA	18
130103-0036	1203QOA163	17	130105-0056	1646-12	13	130108-0173	1913SB	18
130103-0037	1203QOB163	17	130105-0057	1647-12	15	130108-0179	1926SA	18
130103-0038	1203QOGC	17	130105-0058	1648-12	14	130108-0181	1926SB	18
130103-0041	1203R	17	130105-0059	1649-12	13	130108-0187	2000	32
130103-0042	1203RA163	17	130105-0062	1684S	15	130108-0191	2001	32
130103-0044	1203RB163	17	130105-0064	1691-12B	15	130108-0193	2002	32
130103-0048	1203RGC	17	130105-0065	1691-12BS	15	130108-0194	2003	32
130103-0049	1203RI	17	130105-0066	1692-12B	16	130108-0199	2030	32
130103-0050	1203RIA163	17	130105-0067	1692-12BS	16	130108-0202	2031	32
130103-0052	1203RIB163	17	130105-0082	1655-12A	8	130108-0300	2000LED	31
130103-0054	1203RID163	17	130105-0083	1655-12B	8	130108-0301	2001LED	31
130103-0064	1220	17	130106-0104	323123	39	130108-0302	2002LED	31
130103-0065	1223	17	130106-0105	323124	39	130108-0303	2003LED	31
130103-0066	1225	17	130106-0106	323125	39	130108-0304	2010LED	31
130104-0021	1090-HZ	9	130106-0107	323126	39	130108-0305	2011LED	31
130104-0022	1090-HZ12A163	9	130106-0108	323133	39	130108-0306	2012LED	31
130104-0023	1090-HZ12B163	9	130106-0109	323134	39	130108-0307	2013LED	31
130104-0024	1090-HZ12D143	9	130106-0110	323135	39	130109-0007	402	27
130104-0025	1090-HZ12IA163	9	130106-0111	323136	39	130109-0009	405	27
130104-0026	1090-HZ12IB163	9	130106-0112	323523	39	130109-0017	WT3C-20	28
130104-0027	1090-HZ12IB163P	9	130106-0113	323524	39	130109-0026	WT6C-25	28
130104-0028	1090-HZ12ID143	9	130106-0114	323525	39	130109-0027	WT6C-50	28
130104-0029	1090-HZ12ID143P	9	130106-0115	323526	39	130110-0031	8565	33
130104-0030	1090-HZA143	9	130106-0116	323533	39	130110-0033	8565F	33
130104-0031	1090-HZA163	9	130106-0117	323534	39	130110-0034	8565F-MH	33
130104-0032	1090-HZB143	9	130106-0118	323535	39	130110-0035	8565-MH	33
130104-0033	1090-HZB163	9	130106-0119	323536	39	130110-0038	8575-MH	34
130104-0034	1090-HZD143	9	130106-0120	342510A	37	130110-0050	8575-MH-PS	34
130104-0035	1090-HZD163	9	130107-0024	300	40	130110-0060	8565-LED	33
130104-0038	1645-12	11	130107-0025	300W	40	130110-0061	8565F-LED	33
130104-0039	340310A	37	130107-0029	310	40	130111-0023	202SRL	42
130104-0040	340510A	37	130107-0030	310123	40	130111-0024	302SRL	42
130104-0041	61430	10	130107-0033	310423	40	130111-0030	5002	41
130104-0042	61430A143	10	130107-0034	310W	40	130111-0031	5003	41
130104-0043	61430A163	10	130107-0038	380010A	37	130111-0044	5030	42
130104-0044	61430B143	10	130107-0039	380310A	37	130111-0054	5038-F	42
130104-0045	61430B163	10	130107-0040	380510A	37	130111-0100	123JR100-14W10515M	38
130104-0048	61430D143	10	130107-0042	387010A	37	130111-0101	123JR50-14W10515M	38

Order No. Index

Order No.	Woodhead No.	Page	Order No.	Woodhead No.	Page	Order No.	Woodhead No.	Page
130111-0112	123JQ25-14W10515M	38	130126-0192	4007	237	130135-0014	3321A123	214
130111-0117	123WR100-14W10515	38	130126-0193	4008	237	130135-0015	3324FL123	214
130111-0118	123WR50-14W10515	38	130126-0195	4009	237	130135-0076	09106	219
130112-0068	1083-3HON	25, 49	130126-0196	4010	237	130135-0078	09107	219
130112-0079	1152	14	130126-0197	4011	237	130135-0177	3123	220
130112-0085	1156	14, 19, 26	130126-0198	4012	237	130135-0181	3129	220
130112-0087	1156IG	19	130126-0199	4022	235, 236	130135-0185	3200	215
130112-0092	1160	21	130126-0200	4022-2	235	130135-0186	3210	215
130112-0095	1161	22	130126-0204	4022ES	235, 236	130135-0187	3215	215
130112-0099	1164	21	130126-0205	4022G	236	130135-0195	3290-1	217
130112-0102	1165	22, 22	130126-0207	4023	235, 236	130135-0196	3290-1B143	217
130112-0104	1165IG	22	130126-0208	4023-2	235	130135-0197	3290-1E143	217
130112-0105	1166	19, 26	130126-0209	4023ES	235, 236	130135-0198	3290-2	217
130112-0106	1168	20	130126-0210	4023G	236	130135-0200	3290-2E143	217
130112-0108	1181	23	130126-0212	4024	235, 236	130135-0201	3290-3	217
130112-0110	1229	13, 17	130126-0213	4024-2	235	130135-0203	3290-3E123	217
130112-0111	1255	13, 17	130126-0214	4024ES	235, 236	130135-0204	3290-9	217
130112-0114	1255R	17	130126-0216	4024G	236	130135-0205	3290-9E123	217
130112-0119	1259	17	130126-0218	4026	235, 236	130135-0207	32G15E123	214
130112-0128	1660	15, 16	130126-0219	4026-2	235	130135-0208	32G15L123	214
130112-0129	1660S	15, 16	130126-0222	4026ES	235, 236	130135-0209	32G20A123	214
130112-0130	1668	15, 16	130126-0223	4026G	236	130135-0211	32G20E123	214
130112-0131	1675-12	13, 14	130126-0224	4028-2	235	130135-0213	32GM15A123	214
130112-0132	1676	13, 14	130126-0226	4028ES	235, 236	130135-0216	32GM15L123	214
130112-0133	1676-EX	8, 11	130126-0227	4028G	236	130135-0217	32GM20A123	214
130112-0134	1677	8, 11	130126-0228	4032	239	130135-0219	32GM20E123	214
130112-0135	1678-12	11	130126-0229	4032-2	239	130135-0220	32GM20L123	214
130112-0144	305	40	130126-0230	4032BLK	239	130135-0228	32W33	197
130112-0153	362V	41	130126-0231	4052	234	130135-0230	32W47	197
130112-0154	364V	41	130126-0232	4052BLK	234	130135-0231	32W47A123	197
130112-0156	367	41	130126-0235	4202	237	130135-0233	32W90-1	198
130112-0157	367V	41	130126-0236	4203	237	130135-0234	32W90-1E143	198
130112-0158	368	41	130126-0237	4206	237	130135-0235	32W90-2	198
130112-0160	370	39	130126-0238	4207	237	130135-0236	32W90-2E143	198
130112-0161	372	39	130126-0239	4208	237	130135-0245	3300	215
130112-0162	372V	39	130126-0240	4209	237	130135-0246	3320	213
130112-0163	377	39	130126-0241	4210	237	130135-0247	3320A123	213
130112-0164	377V	39	130126-0242	4212	237	130135-0248	3320B123	213
130112-0166	378V	39	130126-0243	5052-1	233	130135-0249	3320E123	213
130112-0169	380R	41	130126-0246	5052-M	233	130135-0250	3320FA123	213
130112-0171	381R	39	130126-0247	5052-N	233	130135-0251	3320L123	213
130112-0172	382	41	130126-0248	5054-1	233	130135-0254	3321E123	214
130112-0173	383	39	130126-0249	5054-1M	233	130135-0255	3321L123	214
130112-0174	385	39	130126-0250	5054-1N	233	130135-0256	3322	214
130112-0176	40-1040	25	130126-0251	5054-2	233	130135-0257	3322A123	214
130112-0186	41-6762	17	130126-0256	5056-1	233	130135-0258	3322B123	214
130112-0196	50-8575	34	130126-0257	5056-1M	233	130135-0259	3322D123	214
130112-0246	STR101	42	130126-0258	5056-1N	233	130135-0260	3322E123	214
130112-0258	STR105	42	130126-0260	5056-2M	233	130135-0262	3322FL123	214
130112-0263	130112-0263	33	130126-0262	5058-1	233	130135-0263	3322L123	214
130112-0272	1679-12	8	130126-0263	5058-1M	233	130135-0268	3324L123	214
130113-0007	40-9442	9	130126-0264	5058-1N	233	130135-0272	3325L123	214
130114-0017	362	41	130126-0266	5058-2M	233	130135-0273	3327A123	213
130114-0018	364	41	130126-0268	5058-3M	233	130135-0276	3327L123	213
130114-0019	378	39	130126-0364	55501S	234	130135-0278	3330A123	213
130126-0008	505BC-C	233	130126-0365	55502S	234	130135-0279	3330B123	213
130126-0009	505BC-L	233, 242	130126-0366	55503S	234	130135-0281	3330L123	213
130126-0012	505B-RM	233, 236	130126-0367	55504S	234	130135-0283	3330RA123	213
130126-0021	505PL-GS	233	130127-0003	1751	241	130135-0285	3330RE123	213
130126-0022	505PL-RS	233	130127-0007	1760	241	130135-0287	3330RL123	213
130126-0023	505PLYS	233	130128-0078	00-0463	236	130135-0288	3331RB123	214
130126-0025	505SS-2	233	130128-0079	00-3063	236	130135-0289	3331RE123	214
130126-0027	505SS-3NO	233	130128-0080	00-3073	236	130135-0291	3332A123	213
130126-0028	505SW-1	233	130128-0081	00-3083	236	130135-0292	3332B123	213
130126-0029	505SW-12NO	233	130128-0082	00-3823	236	130135-0293	3332L123	213
130126-0030	505SW-1NONC	233	130128-0100	4020	236	130135-0294	3332R	213
130126-0031	505SW-2	233	130128-0101	4020-2	236	130135-0295	3332RA123	213
130126-0033	505SW-M	233	130128-0114	452CR	172, 202	130135-0296	3332RB123	213
130126-0034	505SW-N	233	130128-0116	453CR	172, 202	130135-0298	3332RL123	213
130126-0036	4028	235, 236	130128-0119	454CR	172, 202	130135-0303	34047	219
130126-0186	4002	237	130128-0150	455-FD1	201	130135-0304	34047L	219
130126-0187	4003	237	130128-0160	455-FD1BLK	172, 201	130135-0309	34048	219
130126-0188	4004	237	130128-0167	455-TA50	201	130135-0312	34547	219
130126-0189	4005	237	130128-0168	455-TA75	201	130135-0313	3492	199
130126-0190	4006	237	130135-0013	3320D123	213	130135-0314	3493	199

Order No. Index

Order No.	Woodhead No.	Page	Order No.	Woodhead No.	Page	Order No.	Woodhead No.	Page
130135-0315	3494	199	130137-0155	3070-GFI	206	130138-0047	3362	203
130135-0316	35W34	197	130137-0156	3070-GFI20	208	130138-0048	3363	210
130135-0317	35W47	197	130137-0157	3070-GFIA123	206	130138-0049	3400	220
130135-0322	75W47L143	200	130137-0158	3070-GFIA143	206	130138-0050	3400-20	220
130135-0329	32W90-1B143	198	130137-0159	3070-GFIB123	206	130138-0051	3400-20A123	220
130135-0333	32G15A123	214	130137-0162	3070-GFID123	206	130138-0053	3400L	220
130135-0343	3232FL123	214	130137-0165	3080-1	205	130138-0054	3400L-20	220
130136-0001	32547B123	218	130137-0166	3080-10	207	130138-0057	3410	220
130136-0025	31565	218	130137-0167	3080-10A123	207	130138-0058	3410-20	220
130136-0027	31565A123	218	130137-0169	3080-10B123	207	130138-0059	3410L-20	220
130136-0029	31565A143	218	130137-0171	3080-10E123	207	130138-0061	3413-20	220
130136-0030	31565B123	218	130137-0176	3080F	209	130138-0069	40-3660	218
130136-0033	31593	218	130137-0177	3080F-1	205	130138-0076	70W33A123	200
130136-0034	315933	218	130137-0178	3080F-GFI	206	130138-0077	70W33A123GF	200
130136-0035	31593A123	218	130137-0179	3080F-GFI20	208	130138-0079	70W33L123	200
130136-0036	31593A143	218	130137-0180	3080-GFI	206	130138-0081	70W33M123	200
130136-0037	31593A143IN	218	130137-0181	3080-GFI20	208	130138-0082	70W33M123GF	200
130136-0038	31593B123	218	130137-0185	3083	210	130138-0083	70W47A143GF	200
130136-0039	31593B143	218	130137-0191	3085-1	205	130138-0085	70W47L143	200
130136-0042	31594	218	130137-0192	3085-10	207	130138-0086	70W47L143GF	200
130136-0043	31594A123	218	130137-0193	3085-10A123	207	130138-0087	70W47M143	200
130136-0044	31594A143	218	130137-0194	3085-10B123	207	130138-0088	70W47M143GF	200
130136-0045	31594B123	218	130137-0195	3085-10BLK	211	130138-0095	77W47M123GF	200
130136-0046	32547	218	130137-0196	3085-10D123	207	130138-0096	3413L-20	220
130136-0047	32547A123	218	130137-0199	3085F	209	130138-0097	3410L	220
130136-0048	32547A143	218	130137-0204	3090F	209	130138-0102	3264	216
130136-0049	32547B143	218	130137-0205	3090FBLK	211	130138-0113	3054BLK	211
130136-0050	32553	218	130137-0210	3091F	209	130138-0116	610-MAIN	223
130136-0052	32553B123	218	130137-0211	3091FBLK	211	130138-0117	610-END	223
130136-0053	32708	218	130137-0213	3095-000	212	130138-0118	610-LT	223
130136-0054	32708A123	218	130137-0214	3095-002	212	130138-0119	610-RT	223
130136-0055	32708A143	218	130137-0216	3099	209	130138-0126	DY5-6E1H	221
130136-0057	32708B143	218	130137-0217	3099BLK	211	130138-0127	DY5-6G1H	221
130136-0058	32747	218	130137-0221	3301GFA143	196	130138-0177	DB5-6E1H	221
130136-0059	32747A123	218	130137-0222	3301GFB143	196	130138-0178	DB5-6G1H	221
130136-0060	32747B123	218	130137-0223	3301GFD143	196	130138-0187	610-MAIN-BLK	223
130136-0061	32747B143	218	130137-0224	3301GFL143	196	130138-0208	DH5-6G1H	222
130136-0065	3510	219	130137-0225	3301GGFA143	196	130138-0227	DH5-6E1H	222
130136-0066	3510A143	219	130137-0226	3301GGFB143	196	130138-0263	3060BLK	211
130137-0006	3086F	210	130137-0227	3301GGFL143	196	130141-0006	1404	134
130137-0007	3080	209	130137-0234	3304GFA123	196	130141-0007	1407	134
130137-0008	3081	210	130137-0235	3304GFB123	196	130141-0008	1419	134
130137-0009	3082	210	130137-0236	3304GFD123	196	130141-0010	1433	134
130137-0010	3085	209	130137-0237	3304GFL123	196	130141-0011	1433BLK	134
130137-0011	3086	210	130137-0238	3304GGFA123	196	130141-0012	1433EZ	134
130137-0013	3090	209	130137-0240	3304GGFL123	196	130141-0014	1434	134
130137-0014	3091	209	130137-0241	3362GF	203	130141-0015	1447	134
130137-0087	3000	209	130137-0293	3059BLK	211	130141-0016	1447BLK	134
130137-0088	3000-1	204	130137-0294	3091BLK	211	130141-0017	1447EZ	134
130137-0089	3000-10	207	130138-0004	459	203	130141-0020	1448	134
130137-0090	3000-10A123	207	130138-0020	3051	209	130141-0022	1449	134
130137-0091	3000-10A123BLK	211	130138-0021	3051BLK	211	130141-0023	1504	134
130137-0093	3000-10E123	207	130138-0022	3052	210	130141-0024	1507	134
130137-0095	3000-1A143	204	130138-0023	3054	209	130141-0025	1533	134
130137-0097	3000-1B143	204	130138-0024	3055	210	130141-0027	1533GCM	134
130137-0099	3000-1BLK	211	130138-0025	3056	209	130141-0030	1534	134
130137-0100	3000-1E143	204	130138-0026	3056BLK	211	130141-0031	1547	134
130137-0101	3000-1L143	204	130138-0028	3057	210	130141-0032	1547BLK	134
130137-0102	3000-1L143IN	204	130138-0029	3058	210	130141-0033	1547GCM	134
130137-0113	3000BLK	211	130138-0030	3060	209	130141-0036	1548	134
130137-0115	3000F	204	130138-0032	3061	209	130141-0038	1549	134
130137-0117	3000F-1BLK	211	130138-0033	3061BLK	211	130141-0043	2404	136
130137-0118	3000FBLK	211	130138-0034	3066	202	130141-0044	2407	136
130137-0121	3001	210	130138-0035	3260	216	130141-0045	2434	136
130137-0124	3003	210	130138-0036	3260W	216	130141-0047	2447	136
130137-0126	3005	209	130138-0037	3261	216	130141-0048	2447EZ	136
130137-0127	3005-1	204	130138-0038	3261W	216	130141-0051	2449	136
130137-0128	3005-1A143	204	130138-0039	3262	216	130141-0052	2504	136
130137-0130	3005-1B143	204	130138-0040	3262W	216	130141-0053	2507	136
130137-0132	3005-1E143	204	130138-0041	3263	216	130141-0054	2534	136
130137-0147	3050	209	130138-0042	3263W	216	130141-0056	2547	136
130137-0148	3050F	209	130138-0043	3264W	216	130141-0057	2547GCM	136
130137-0149	3059	209	130138-0044	3265	216	130141-0060	2549	136
130137-0150	3065	202	130138-0045	3266	216	130141-0061	2607	136
130137-0153	3070F-GFI	206	130138-0046	3267W	216	130141-0062	2647	136

Order No. Index

Order No.	Woodhead No.	Page	Order No.	Woodhead No.	Page	Order No.	Woodhead No.	Page
130141-0063	2648	136	130143-0134	14W47A143	124	130143-0278	28W76A104	124
130141-0064	2649	136	130143-0135	14W47A143IN	125	130143-0279	28W76A124	124
130141-0065	2707	136	130143-0137	14W47A163	124	130143-0280	28W77A104	124
130141-0066	2748	136	130143-0138	14W47B123	124	130143-0307	24W04D142	124
130141-0067	2947	136	130143-0139	14W47B123IN	125	130143-0308	26W81D125	124
130141-0068	2948	136	130143-0140	14W47B143	124	130143-0310	28W74A104BLK	124
130141-0069	2949	136	130143-0141	14W47B143IN	125	130143-0312	2848B103	140
130142-0002	2608	136	130143-0143	14W47B163	124	130143-0377	CS6365NB064	223
130142-0004	2608G	136	130143-0148	14W47D123	124	130143-0378	CS6365ND064	223
130142-0006	2609	136	130143-0149	14W47D123IN	125	130143-0396	CS6365NA064	223
130142-0009	2674	136	130143-0150	14W47D143	124	130144-0008	5176	135
130142-0010	2675	136	130143-0151	14W47D143IN	125	130144-0014	14F47	135, 158
130142-0012	2676	136	130143-0153	14W47D163	124	130144-0016	14R47	135, 158
130142-0014	2681	136	130143-0154	14W47L143	124	130144-0017	24T04	137
130142-0015	2682	136	130143-0156	14W48D143	124	130144-0019	25T04	137
130142-0016	2683	136	130143-0157	14W49A143	124	130144-0021	26T07	137
130142-0017	2708	136	130143-0159	14W49B143	124	130144-0022	27T07	137
130142-0018	2708G	136	130143-0169	2407A143	140	130144-0023	4720	137
130142-0019	2709	136	130143-0171	2407B163	140	130144-0024	4720YL	137
130142-0021	2747	136	130143-0176	2447B143	140	130144-0025	4729	137
130142-0023	2749	136	130143-0178	2447D143	140	130144-0026	4729YL	137
130142-0024	2774	136	130143-0180	24W04A142	124	130144-0027	4730	137
130142-0025	2775	136	130143-0187	24W47A143	124	130144-0029	4739	137
130142-0026	2776	136	130143-0189	24W47A163	124	130144-0031	4770	137
130142-0028	2781	136	130143-0190	24W47B123	124	130144-0033	4779	137
130142-0029	2782	136	130143-0191	24W47B143	124	130144-0035	5169	135
130142-0030	2783	136	130143-0192	24W47B143IN	125	130144-0036	5266	135
130142-0031	2808	136	130143-0193	24W47B163	124	130144-0043	5266YL	135
130142-0032	2809	136	130143-0195	24W47D143	124	130144-0044	5269	135
130142-0033	2847	136	130143-0196	24W47D163	124	130144-0048	5269L	135, 158
130142-0034	2848	136	130143-0198	24W49A143	124	130144-0050	5269YL	135
130142-0035	2849	136	130143-0201	2608B143	140	130144-0053	5366	135
130142-0036	2874	136	130143-0203	2647A123	140	130144-0057	5369	135
130142-0037	2875	136	130143-0204	2647A143	140	130144-0061	5466	135
130142-0038	2876	136	130143-0205	2647B123	140	130144-0063	5469	135
130142-0039	2877	136	130143-0207	2647B143	140	130144-0065	5666	135
130142-0040	2881	136	130143-0209	2647D123	140	130144-0067	5669	135
130142-0041	2882	136	130143-0210	2647E123IN	141	130144-0069	5766	135
130142-0042	2883	136	130143-0211	2648A123	140	130144-0071	5769	135
130142-0043	2974	136	130143-0212	2648A143	140	130144-0077	85125	158
130142-0044	2975	136	130143-0214	2674B124	140	130144-0078	85266	135
130142-0045	2976	136	130143-0217	26W08A143	124	130144-0079	85266YL	135
130142-0046	2977	136	130143-0218	26W08B143	124	130144-0080	85269	135
130142-0047	2981	136	130143-0221	26W47A123	124	130144-0081	85269YL	135
130142-0048	2982	136	130143-0222	26W47A143	124	130144-0082	85366	135
130142-0049	2983	136	130143-0223	26W47B123	124	130144-0084	85369	135
130142-0051	8664	134, 155	130143-0224	26W47B123IN	125	130144-0087	85447	135, 158
130142-0052	8665	134, 155	130143-0225	26W47B143	124	130144-0088	85447L	135, 158
130143-0014	2404MB	139	130143-0226	26W47D123	124	130144-0089	85547	135
130143-0015	24W04B162	124	130143-0227	26W47D143	124	130144-0094	603	40
130143-0017	24W34A163	124	130143-0228	26W47E123IN	125	130145-0002	26T08	137
130143-0018	28W75B124	124	130143-0235	26W74A124	124	130145-0008	26T47	137
130143-0083	1404A162	140	130143-0236	26W74A124BLK	124	130145-0010	26T47YL	137
130143-0084	1433A123	140	130143-0237	26W74A144	124	130145-0011	26T48	137
130143-0086	1433A143	140	130143-0238	26W74B124	124	130145-0012	26T48YL	137
130143-0088	1433B123	140	130143-0240	26W74B144	124	130145-0013	26T49	137
130143-0091	1433D123	140	130143-0245	26W76A124	124	130145-0015	26T74	137
130143-0093	1447A123	140	130143-0246	26W76A144	124	130145-0017	26T75	137
130143-0095	1447A143	140	130143-0247	26W76B124	124	130145-0019	26T76	137
130143-0097	1447A163	140	130143-0248	26W81A145	124	130145-0025	27T08	137
130143-0099	1447B123	140	130143-0252	2847A123	140	130145-0030	27T47	137
130143-0102	1447B143	140	130143-0254	2848A103	140	130145-0031	27T47YL	137
130143-0103	1447B143IN	141	130143-0255	2848A123	140	130145-0032	27T48	137
130143-0104	1447B163	140	130143-0257	2876B104	140	130145-0033	27T48YL	137
130143-0111	1447D143	140	130143-0261	28W47A103	124	130145-0034	27T49	137
130143-0113	1447D163	140	130143-0262	28W47A123	124	130145-0035	27T74	137
130143-0114	1447L143	140	130143-0263	28W47B103	124	130145-0037	27T75	137
130143-0115	1448A143	140	130143-0266	28W48A103	124	130145-0039	27T76	137
130143-0119	1449B143	140	130143-0270	28W74A104	124	130145-0048	28T47	137
130143-0121	14W33A123	124	130143-0271	28W74B104	124	130145-0050	28T48	137
130143-0124	14W33A143	124	130143-0273	28W74D104	124	130145-0052	28T74	137
130143-0125	14W33B123	124	130143-0274	28W75A104	124	130145-0054	28T75	137
130143-0126	14W33B123IN	125	130143-0275	28W75A124	124	130145-0056	28T76	137
130143-0129	14W33D123	124	130143-0276	28W75B104	124	130145-0058	28T77	137
130143-0131	14W33D143	124	130143-0277	28W75D104	124	130145-0066	2908	136

Order No. Index

Order No.	Woodhead No.	Page	Order No.	Woodhead No.	Page	Order No.	Woodhead No.	Page
130145-0067	2909	136	130146-0180	14W07-P	120	130147-0089	29W08	116
130145-0071	29T47	137	130146-0182	14W33-P	120	130147-0090	29W08MB	122
130145-0072	29T48	137	130146-0184	14W34-P	120	130147-0091	29W09	117
130145-0076	29T74	137	130146-0185	14W47-P	120	130147-0093	29W47	116
130145-0078	29T75	137	130146-0187	14W48-P	120	130147-0095	29W47MB	122
130145-0080	29T76	137	130146-0189	14W49-P	120	130147-0096	29W48	116
130145-0082	29T77	137	130146-0192	15W07-P	120	130147-0098	29W48MB	122
130146-0015	14W07	116	130146-0193	15W33-P	120	130147-0099	29W49	116
130146-0016	14W07A163	124	130146-0196	15W34-P	120	130147-0101	29W49MB	122
130146-0022	14W33	116	130146-0197	15W47-P	120	130147-0102	29W74	117
130146-0028	14W34	116	130146-0200	15W48-P	120	130147-0104	29W74MB	123
130146-0031	14W47	116	130146-0203	15W49-P	120	130147-0105	29W75	117
130146-0040	14W48	116	130146-0205	24W04-P	120	130147-0107	29W75MB	123
130146-0044	14W49	116	130146-0206	24W07-P	120	130147-0108	29W76	117
130146-0050	15W07	116	130146-0207	24W34-P	120	130147-0110	29W76MB	123
130146-0052	15W33	116	130146-0209	24W47-P	120	130147-0111	29W77	117
130146-0056	15W33MB	122	130146-0211	24W49-P	120	130147-0115	29W77MB	123
130146-0059	15W34	116	130146-0212	25W04-P	120	130147-0116	29W81	117
130146-0060	15W47	116	130146-0214	25W07-P	120	130147-0117	29W81MB	123
130146-0065	15W47MB	122	130146-0216	25W34-P	120	130147-0118	29W82	117
130146-0068	15W48	116	130146-0219	25W47-P	120	130147-0119	29W82MB	123
130146-0072	15W48MB	122	130146-0222	25W49-P	120	130147-0120	29W83	117
130146-0074	15W49	116	130146-0224	26W07-P	120	130147-0121	29W83MB	123
130146-0076	15W49MB	122	130146-0225	27W07-P	120	130147-0122	64W64	123
130146-0077	24W04	116	130147-0005	68W49	122	130147-0124	66W08	122
130146-0078	24W07	116	130147-0012	26W08	116	130147-0125	66W09	123
130146-0079	24W34	116	130147-0014	26W08G	116	130147-0126	66W10	123
130146-0082	24W47	116	130147-0015	26W09	117	130147-0127	66W47	122
130146-0088	24W49	116	130147-0017	26W10	117	130147-0128	66W48	122
130146-0090	25W04	116	130147-0018	26W47	116	130147-0129	66W49	122
130146-0091	25W04MB	122	130147-0021	26W48	116	130147-0131	66W74	123
130146-0092	25W07	116	130147-0023	26W49	116	130147-0132	66W75	123
130146-0094	25W07MB	122	130147-0025	26W74	117	130147-0133	66W76	123
130146-0095	25W34	116	130147-0027	26W75	117	130147-0134	66W81	123
130146-0097	25W34MB	122	130147-0029	26W76	117	130147-0135	66W82	123
130146-0099	25W47	116	130147-0031	26W81	117	130147-0136	66W83	123
130146-0103	25W47MB	122	130147-0033	26W82	117	130147-0137	67W08	122
130146-0106	25W49	116	130147-0034	26W83	117	130147-0139	67W09	123
130146-0107	25W49MB	122	130147-0035	27W08	116	130147-0140	67W10	123
130146-0108	26W07	116	130147-0036	27W08G	116	130147-0141	67W47	122
130146-0110	27W07	116	130147-0037	27W08MB	122	130147-0144	67W48	122
130146-0112	27W07MB	122	130147-0038	27W09	117	130147-0145	67W49	122
130146-0114	59W07	122	130147-0040	27W09MB	123	130147-0146	67W64	122
130146-0115	59W33	122	130147-0041	27W10	117	130147-0147	67W74	123
130146-0116	59W47	122	130147-0043	27W10MB	123	130147-0149	67W75	123
130146-0117	59W48	122	130147-0044	27W47	116	130147-0150	67W76	123
130146-0118	59W49	122	130147-0047	27W47MB	122	130147-0151	67W81	123
130146-0121	60W07	122	130147-0048	27W48	116	130147-0153	67W82	123
130146-0122	60W07DPLX	122	130147-0050	27W48MB	122	130147-0154	67W83	123
130146-0123	60W33	122	130147-0051	27W49	116	130147-0155	68W08	122
130146-0125	60W33DPLX	122	130147-0052	27W49MB	122	130147-0157	68W47	122
130146-0127	60W34	122	130147-0053	27W74	117	130147-0158	68W48	122
130146-0128	60W34DPLX	122	130147-0055	27W74MB	123	130147-0159	68W74	123
130146-0129	60W47	122	130147-0056	27W75	117	130147-0160	68W75	123
130146-0131	60W47DPLX	122	130147-0058	27W75MB	123	130147-0161	68W76	123
130146-0133	60W48	122	130147-0059	27W76	117	130147-0162	68W77	123
130146-0135	60W48DPLX	122	130147-0061	27W76MB	123	130147-0163	68W81	123
130146-0137	60W49	122	130147-0062	27W81	117	130147-0164	68W82	123
130146-0138	60W49DPLX	122	130147-0064	27W81MB	123	130147-0165	68W83	123
130146-0139	64W04	122	130147-0065	27W82	117	130147-0166	69W08	122
130146-0140	64W07	122	130147-0066	27W82MB	123	130147-0168	69W47	122
130146-0141	64W34	122	130147-0067	27W83	117	130147-0169	69W48	122
130146-0142	64W47	122	130147-0068	27W83MB	123	130147-0170	69W49	122
130146-0143	64W49	122	130147-0069	28W08	116	130147-0173	69W74	123
130146-0145	65W07	122	130147-0071	28W09	117	130147-0174	69W75	123
130146-0146	65W07DPLX	122	130147-0072	28W47	116	130147-0175	69W76	123
130146-0147	65W34	122	130147-0074	28W48	116	130147-0176	69W77	123
130146-0148	65W34DPLX	122	130147-0076	28W49	116	130147-0177	69W81	123
130146-0149	65W47	122	130147-0077	28W74	117	130147-0178	69W82	123
130146-0151	65W47DPLX	122	130147-0079	28W75	117	130147-0179	69W83	123
130146-0153	65W49	122	130147-0081	28W76	117	130147-0220	26W08-P	120
130146-0154	65W49DPLX	122	130147-0083	28W77	117	130147-0221	26W08G-P	120
130146-0155	66W07	122	130147-0085	28W81	117	130147-0222	26W09-P	121
130146-0156	67W07	122	130147-0086	28W82	117	130147-0224	26W10-P	121
130146-0157	67W07DPLX	122	130147-0088	28W83	117	130147-0225	26W47-P	120

Order No. Index

Order No.	Woodhead No.	Page	Order No.	Woodhead No.	Page	Order No.	Woodhead No.	Page
130147-0227	26W48-P	120	130149-0012	1547MB	138	130150-0142	420P9W	129
130147-0229	26W49-P	120	130149-0013	1548MB	138	130150-0143	420R12	144
130147-0230	26W74-P	121	130149-0014	2407MB	139	130150-0144	420R12W	129
130147-0232	26W75-P	121	130149-0016	2447MB	139	130150-0145	420R5	144
130147-0234	26W76-P	121	130149-0017	2449MB	139	130150-0146	420R5W	129
130147-0236	26W81-P	121	130149-0018	2504MB	138	130150-0147	420R7	144
130147-0238	26W82-P	121	130149-0019	2507MB	138	130150-0148	420R7W	129
130147-0239	26W83-P	121	130149-0020	2534MB	138	130150-0149	420R9	144
130147-0240	27W08-P	120	130149-0021	2547MB	138	130150-0150	420R9W	129
130147-0241	27W08G-P	120	130149-0022	2549MB	138	130150-0156	430C5W	129
130147-0243	27W09-P	121	130149-0024	2608MB	139	130150-0157	430C7	144
130147-0246	27W10-P	121	130149-0027	2647MB	139	130150-0158	430C7W	129
130147-0248	27W47-P	120	130149-0028	2648MB	139	130150-0160	430C9W	129
130147-0251	27W48-P	120	130149-0029	2674MB	139	130150-0169	430P5W	129
130147-0254	27W49-P	120	130149-0036	2708MB	138	130150-0170	430P7	144
130147-0256	27W74-P	121	130149-0039	2747MB	138	130150-0171	430P7W	129
130147-0259	27W75-P	121	130149-0040	2748MB	138	130150-0173	430P9W	129
130147-0262	27W76-P	121	130149-0041	2749MB	138	130150-0175	430R5W	129
130147-0265	27W81-P	121	130149-0042	2774MB	138	130150-0176	430R7	144
130147-0268	27W82-P	121	130149-0051	2874MB	139	130150-0177	430R7W	129
130147-0270	27W83-P	121	130149-0052	2875MB	139	130150-0179	430R9W	129
130147-0272	28W08-P	120	130149-0053	2876MB	139	130150-0185	460C12	144
130147-0273	28W09-P	121	130149-0059	2974MB	138	130150-0186	460C12W	129
130147-0274	28W47-P	120	130149-0060	2975MB	138	130150-0187	460C5	144
130147-0276	28W48-P	120	130149-0061	2976MB	138	130150-0188	460C5W	129
130147-0278	28W49-P	120	130149-0066	4747	138	130150-0189	460C7	144
130147-0279	28W74-P	121	130149-0067	4747CR	138	130150-0190	460C7W	129
130147-0281	28W75-P	121	130149-0068	4748	138	130150-0191	460C9	144
130147-0283	28W76-P	121	130149-0069	4748CR	138	130150-0192	460C9W	129
130147-0285	28W77-P	121	130149-0070	4749	138	130150-0198	460P12	144
130147-0287	28W81-P	121	130149-0071	4774	138	130150-0199	460P12W	129
130147-0288	28W82-P	121	130149-0072	4775	138	130150-0200	460P5	144
130147-0289	28W83-P	121	130149-0074	4776	138	130150-0201	460P5W	129
130147-0290	29W08-P	120	130149-0085	4976	138	130150-0202	460P7	144
130147-0292	29W09-P	121	130149-0086	4976CR	138	130150-0203	460P7W	129
130147-0293	29W47-P	120	130149-0088	5261DWI	138	130150-0204	460P9	144
130147-0296	29W48-P	120	130149-0094	85447MB	139	130150-0205	460P9W	129
130147-0299	29W49-P	120	130150-0036	320C4	144	130150-0206	460R12	144
130147-0300	29W74-P	121	130150-0037	320C4W	129	130150-0207	460R12W	129
130147-0303	29W75-P	121	130150-0038	320C5	144	130150-0208	460R5	144
130147-0306	29W76-P	121	130150-0039	320C6	144	130150-0209	460R5W	129
130147-0309	29W77-P	121	130150-0040	320C6W	129	130150-0210	460R7	144
130147-0312	29W81-P	121	130150-0049	320P4	144	130150-0211	460R7W	129
130147-0314	29W82-P	121	130150-0050	320P4W	129	130150-0212	460R9	144
130147-0316	29W83-P	121	130150-0051	320P5	144	130150-0213	460R9W	129
130148-0072	4204	237	130150-0052	320P6	144	130150-0227	520C7	144
130148-0073	4205	237	130150-0053	320P6W	129	130150-0229	520C9	144
130148-0074	4700DW	139	130150-0056	320R4	144	130150-0238	520P7	144
130148-0075	5252DW	139	130150-0057	320R4W	129	130150-0240	520P9	144
130148-0076	5252DWBLK	139	130150-0058	320R6	144	130150-0242	520R7	144
130148-0083	5262DW	139	130150-0059	320R6W	129	130150-0244	520R9	144
130148-0084	5262DWCR	139	130150-0105	4100C12W	129	130150-0288	420C9	144
130148-0086	5262DWI	139	130150-0106	4100C5W	129	130150-0289	320R5	144
130148-0089	5262DWW	139	130150-0107	4100C7W	129	130150-0320	DW4M20	128
130148-0091	5362DWBL	139	130150-0108	4100C9W	129	130150-0325	DW4F20	128
130148-0097	5362DW	139	130150-0112	4100P12W	129	130151-0001	00136	143
130148-0099	5362DWBLK	139	130150-0113	4100P5W	129	130151-0002	00137	143
130148-0100	5362DWCR	139	130150-0114	4100P7W	129	130151-0012	1702	143
130148-0102	5362DWI	139	130150-0115	4100P9W	129	130151-0013	1704	143
130148-0104	5362DWR	139	130150-0116	4100R12W	129	130151-0014	1705	143
130148-0106	5452DW	139	130150-0117	4100R5W	129	130151-0016	1708	143
130148-0107	5462DW	139	130150-0118	4100R7W	129	130151-0017	1712	143
130148-0108	5462DWCR	139	130150-0119	4100R9W	129	130151-0018	1719	143
130148-0114	85262DW	139	130150-0125	420C5	144	130151-0019	1725	143
130148-0115	85262DWI	139	130150-0126	420C5W	129	130151-0020	1730	143
130148-0116	85262DWR	139	130150-0127	420C7	144	130151-0021	1732	143
130148-0117	85262DWW	139	130150-0128	420C7W	129	130151-0022	1733	143
130148-0118	85362DW	139	130150-0129	420C9W	129	130151-0023	1740	143
130148-0119	85362DWBLK	139	130150-0135	420P12	144	130151-0024	1741	143
130148-0121	85362DWI	139	130150-0136	420P12W	129	130151-0025	1744	143
130148-0122	85362DWR	139	130150-0137	420P5	144	130151-0026	1783	143
130148-0123	85362DWW	139	130150-0138	420P5W	129	130152-0016	600	40
130149-0007	1433MB	139	130150-0139	420P7	144	130152-0020	601	40
130149-0008	1447MB	139	130150-0140	420P7W	129	130152-0021	606	40
130149-0011	1533MB	138	130150-0141	420P9	144	130153-0017	09484	179

Order No. Index

Order No.	Woodhead No.	Page	Order No.	Woodhead No.	Page	Order No.	Woodhead No.	Page
130153-0019	15050-1	189	130153-0174	30052-1A	182	130154-0070	26W47-Y	125
130153-0020	15050-1A	177	130153-0175	30052-1M	182	130154-0071	26W47-Y-IN	125
130153-0021	15050-1M	177	130153-0181	30053-0A	184	130154-0073	2848-Y	141
130153-0022	15050-25	189	130153-0182	30053-0M	184	130154-0105	1433-W-IN	141
130153-0023	15050-25A	177	130153-0184	30053-1A	184	130154-0106	2608-Y	141
130153-0024	15050-25M	177	130153-0185	30053-1M	184	130155-0017	6902	203
130153-0025	15050-25TT	189	130153-0193	30054-1A	184	130155-0018	6903	203
130153-0026	15050-25TTA	178, 187	130153-0194	30054-1M	184	130155-0020	14W	126
130153-0027	15050-25TTM	178, 187	130153-0196	30054-25A	184	130155-0021	14WBLK	126
130153-0028	15050-3TT	189	130153-0227		179	130155-0028	26W	126
130153-0029	15050-3TTA	178, 187	130153-0239	30053-2M6F	186	130155-0029	26WBLK	126
130153-0030	15050-3TTM	178, 187	130153-0240	30053-2M3F	186	130155-0030	28W	126
130153-0031	15050-50A	177	130153-0241	30053-2M2F	186	130155-0031	28WBLK	126
130153-0032	15050-50M	177	130153-0242	30053-2M5F	186	130155-0032	30W	126
130153-0033	15050-50TT	189	130153-0243	30053-2A6F	186	130155-0041	3764N	137
130153-0034	15050-50TTA	178, 187	130153-0244	30053-2A3F	186	130155-0042	3765N	137
130153-0035	15050-50TTM	178, 187	130153-0245	30053-2A2F	186	130155-0043	3769	138
130153-0036	15050-6	189	130153-0246	30053-2A5F	186	130155-0044	3775	139
130153-0037	15050-6A	177	130153-0247	30053-0M6P	185	130155-0077	50W50	126
130153-0038	15050-6M	177	130153-0248	30053-0M3P	185	130155-0078	50W50BLK	126
130153-0039	15050-6TT	189	130153-0249	30053-0M2P	185	130155-0080	50W52	126
130153-0040	15050-6TTA	178, 187	130153-0250	30053-0M5P	185	130155-0081	50W52BLK	126
130153-0041	15050-6TTM	178, 187	130153-0251	30053-0A6P	185	130155-0082	50W54	126
130153-0054	15052-1	190	130153-0252	30053-0A3P	185	130155-0083	50W54BLK	126
130153-0056	15052-1A	178	130153-0253	30053-0A2P	185	130155-0084	50W56	126
130153-0059	15052-1M	178	130153-0254	30053-0A5P	185	130155-0104	63W64	117
130153-0060	15052-25	190	130153-0261	30051-0A	182, 188	130155-0105	63W65	117
130153-0064	15052-50	190	130153-0262	30051-0M	182, 188	130155-0107	6503	203
130153-0067	15052-6	190	130153-0265	30053-2AF	184	130155-0109	6703	203
130153-0071	15053-2	190	130153-0266	30053-2MF	184	130155-0122	7764N	137
130153-0080	15053W-2	190	130153-0267	15051-0M	178	130155-0123	7765N	137
130153-0089	15054	190	130153-0278	20052-0PM18	181	130155-0133	CS6364N	137
130153-0090	15054-1	190	130153-0279	20052-Y-20MH	181	130155-0134	CS6365N	137
130153-0091	15054-1A	188	130153-0280	20052-0PM30	181	130155-0135	CS6369	138
130153-0092	15054-1M	179, 188	130153-0281	20052-0PM45	181	130155-0137	CS6375	139
130153-0095	15054-25A	188	130153-0282	20052-0PM60	181	130155-0141	CS63W64	117
130153-0096	15054-25M	188	130153-0283	20052-Y-30MH	181	130155-0142	CS63W65	117
130153-0099	15054A	179	130153-0284	20052-Y-45MH	181	130155-0144	CS8164N	137
130153-0100	15054M	179	130153-0285	20052-Y-60MH	181	130155-0145	CS8165N	137
130153-0109	20051-0A	180, 187	130153-0286	20052-Y-2MH	181	130155-0146	CS8169	138
130153-0110	20051-0M	180, 187	130153-0287	30055-0A	183	130155-0147	CS8175	139
130153-0111	20051-1	191	130153-0288	30055-0M	183	130155-0148	CS81W64	117
130153-0112	20051-1A	180, 187	130153-0290	15051-0MY	177	130155-0149	CS81W65	117
130153-0113	20051-1M	180, 187	130153-0293	15051-FAA	178	130155-0154	CS82W64	116
130153-0114	20051-1MLDA	181	130153-0297	15051-FAM	178	130155-0155	CS82W65	116
130153-0115	20051-1MLDM	181	130153-0300	20051-FAA	180	130155-0156	CS8364N	137
130153-0116	20051-25	191	130154-0033	1433-W	141	130155-0157	CS8365N	137
130153-0117	20051-25A	187	130154-0034	1433-Y	141	130155-0158	CS8369	138
130153-0118	20051-25M	180, 187	130154-0035	1447-W	141	130155-0159	CS8375	139
130153-0119	20051-6	191	130154-0037	1447-W-IN	141	130155-0160	CS83W64	117
130153-0120	20051-6A	187	130154-0038	1447-Y	141	130155-0161	CS83W65	117
130153-0121	20051-6M	187	130154-0039	1447-YB	141	130155-0166	CS84W64	116
130153-0123	20052-1A	181	130154-0040	1447-Y-IN	141	130155-0167	CS84W65	116
130153-0126	20052-1M	181	130154-0041	1448-Y	141	130155-0182	DW730-30M	128
130153-0128	20052-25A	181	130154-0042	1449-W	141	130155-0183	DW730-30R	128
130153-0130	20052-25M	181	130154-0043	14W33-W	125	130155-0184	DW760-60F	128
130153-0135	20052-W-2M	181	130154-0044	14W33-Y	125	130155-0185	DW760-60M	128
130153-0136	20052-Y-2M	181	130154-0046	14W47-W	125	130155-0186	DW760-60M75	128
130153-0137	20053-2	191	130154-0047	14W47-W-IN	125	130155-0187	DW760-60R	128
130153-0140	20053W-2	191	130154-0048	14W47-Y	125	130155-0190	DW730-30F	128
130153-0144	20054	189, 191	130154-0049	14W47-Y-IN	125	130155-0192	DW760-60M38	128
130153-0145	20054-1	191	130154-0050	14W48-W	125	130180-0163	00-4963	74, 80
130153-0153	24052-0A	180	130154-0052	14W48-Y	125	130180-0179	00-1470	9
130153-0154	24052-0M	180	130154-0055	2447-W	141	130180-0181	00-1480	9
130153-0155	24052-1A	181	130154-0056	2447-Y	141	130180-0182	00-1490	9
130153-0156	24052-1M	181	130154-0058	24W47-W	125	130180-0186	00-4962	74, 80
130153-0157	24052-1MLDA	181	130154-0059	24W47-W-IN	125	130180-0278	00-4980	75, 76, 79, 81, 83, 127, 215
130153-0158	24052-1MLDM	181	130154-0060	24W47-Y	125	130180-0279	00-4981	75, 76, 79, 81, 83, 127, 215
130153-0163	30051-1	192	130154-0061	24W47-Y-IN	125	130180-0280	00-4982	75, 76, 79, 81, 83, 127, 215
130153-0164	30051-1A	182, 188	130154-0062	2647-W	141	130180-0281	00-4983	75, 76, 79, 81, 83, 127, 215
130153-0165	30051-1M	182, 188	130154-0063	2647-W-IN	141	130180-0282	00-4992	75, 79, 81, 83, 127
130153-0168	30051-25A	188	130154-0064	2647-Y	141	130180-0283	00-4993	75, 76, 79, 81, 83, 127
130153-0169	30051-25M	188	130154-0065	2647-Y-IN	141	130180-0284	00-4996	75, 76, 79, 81, 127
130153-0171	30051-6A	188	130154-0068	26W47-W	125	130180-0285	00-4998	75, 81, 127
130153-0172	30051-6M	188	130154-0069	26W47-W-IN	125	130180-0286	00-5263	75, 76, 78, 80, 83, 127

Order No. Index

Order No.	Woodhead No.	Page	Order No.	Woodhead No.	Page	Order No.	Woodhead No.	Page
130180-0287	00-5264.	75, 76, 78, 80, 83, 127	130180-0395	00-4950.	82, 127	130186-0318	42-2190.	234
130180-0288	00-5266.	75, 76, 78, 80, 83, 127	130180-0396	00-4951.	82, 127	130186-0535	40-9100.	203
130180-0289	00-5267.	75, 78, 80, 83, 127	130180-0398	00-4960.	74, 80	130186-0561	40-9456.	9
130180-0308	00-5070.	75, 81, 127	130180-0399	00-4961.	74, 80	130186-0719	40-9441.	9
130180-0309	00-5071.	75, 81, 127	130180-0400	00-4964.	74, 80	130191-0021	34-0350.	25
130180-0310	00-5072.	75, 81, 127	130180-0401	00-4970.	75, 80, 127	130191-0031	1652-12.	11, 13, 14
130180-0311	00-5073.	75, 81, 127	130180-0402	00-4971.	75, 78, 80, 83, 127	130191-0035	34-0120.	25
130180-0312	00-5074.	75, 81, 127	130180-0403	00-4972.	75, 76, 78, 80, 127	130191-0036	34-0130.	25
130180-0314	00-0820.	84	130180-0404	00-4975.	75, 76, 78, 80, 83, 127	130191-0085	306.	40
130180-0315	00-1921.	77, 82	130180-0405	00-4978.	75, 80, 127	130191-0086	1253.	13, 17
130180-0316	00-1922.	77, 82	130180-0406	00-4984.	75, 79, 81, 83, 127, 215	130198-0118	420C12W.	129
130180-0317	00-1923.	77, 82	130180-0407	00-4985.	75, 76, 79, 81, 83, 127, 215	130198-0124	420C12.	144
130180-0318	00-1924.	77, 82	130180-0408	00-4986.	75, 76, 79, 81, 83, 127, 215	130201-0750	50-8578.	34
130180-0319	00-1925.	77, 82	130180-0409	00-4987.	75, 76, 79, 81, 83, 127, 215	130203-1295	71-4220.	236, 242
130180-0333	00-0822.	84	130180-0410	00-4990.	75, 79, 81, 83, 127	130226-1600	9501.	53
130180-0334	00-0824.	84	130180-0411	00-4991.	75, 79, 81, 83, 127	130226-1601	9503.	58
130180-0335	00-0920.	74	130180-0412	00-4994.	75, 76, 79, 81, 83, 127	130226-1602	9504.	59
130180-0336	00-0921.	74	130180-0413	00-4995.	75, 76, 79, 81, 83, 127	130228-0721	31-5800.	234
130180-0337	00-0922.	74	130180-0414	00-4997.	75, 76, 79, 81, 83, 127			
130180-0392	00-4940.	77, 82, 127	130180-0468	00-5150.	234			
130180-0393	00-4941.	77, 82, 127	130185-0471	37-8574.	33			

Woodhead No. Index

Woodhead No.	Order No.	Page	Woodhead No.	Order No.	Page	Woodhead No.	Order No.	Page
00-0463	130128-0078	236	00-5266	130180-0288	75, 76, 78, 80, 83, 127	1090-HZ12D143	130104-0024	9
00-0820	130180-0314	84				1090-HZ12IA163	130104-0025	9
00-0822	130180-0333	84	00-5267	130180-0289	75, 78, 80, 83, 127	1090-HZ12IB163	130104-0026	9
00-0824	130180-0334	84	00136	130151-0001	143	1090-HZ12IB163P	130104-0027	9
00-0920	130180-0335	74	00137	130151-0002	143	1090-HZ12ID143	130104-0028	9
00-0921	130180-0336	74	09106	130135-0076	219	1090-HZ12ID143P	130104-0029	9
00-0922	130180-0337	74	09107	130135-0078	219	1090-HZA143	130104-0030	9
00-1470	130180-0179	9	09484	130153-0017	179	1090-HZA163	130104-0031	9
00-1480	130180-0181	9	1003-3	130108-0078	24	1090-HZB143	130104-0032	9
00-1490	130180-0182	9	1005-3	130108-0083	24	1090-HZB163	130104-0033	9
00-1921	130180-0315	77, 82	1013-3	130108-0085	24	1090-HZD143	130104-0034	9
00-1922	130180-0316	77, 82	1015-3	130108-0088	24	1090-HZD163	130104-0035	9
00-1923	130180-0317	77, 82	102000A01F060	130006-0091	234	1093-3	130108-0139	25
00-1924	130180-0318	77, 82	102000A01F120	130006-0096	234	1093-3M	130108-0141	35
00-1925	130180-0319	77, 82	102000A01F200	130006-0102	234	1093-3MM	130108-0142	35
00-3063	130128-0079	236	103000A01F060	130006-0221	234	1095-3	130108-0143	25
00-3073	130128-0080	236	103000A01F120	130006-0232	234	1097-3	130108-0144	25
00-3083	130128-0081	236	103000A01F200	130006-0241	234	1097-3M	130108-0146	35
00-3823	130128-0082	236	1045	130108-0091	24	1097-3MM	130108-0148	35
00-4940	130180-0392	77, 82, 127	1049	130108-0092	24	1099-3	130108-0149	25
00-4941	130180-0393	77, 82, 127	105	130102-0080	19	110	130102-0138	21
00-4950	130180-0395	82, 127	1050-PL	130108-0094	32	110U	130102-0140	21
00-4951	130180-0396	82, 127	1051-PL	130108-0098	32	110UA163	130102-0141	21
00-4960	130180-0398	74, 80	1052-PL	130108-0101	32	110UB163	130102-0142	21
00-4961	130180-0399	74, 80	105A163	130102-0081	19	110US	130102-0143	21
00-4962	130180-0186	74, 80	105B163	130102-0082	19	111	130102-0145	22
00-4963	130180-0163	74, 80	105S	130102-0083	19	111A163	130102-0146	22
00-4964	130180-0400	74, 80	105SA163	130102-0084	19	111B163	130102-0148	22
00-4970	130180-0401	75, 80, 127	105SB163	130102-0085	19	111S	130102-0153	22
00-4971	130180-0402	75, 78, 80, 83, 127	105U	130102-0086	19	111U	130102-0158	22
			105UA163	130102-0087	19	111UA163	130102-0159	22
00-4972	130180-0403	75, 76, 78, 80, 127	105UB163	130102-0088	19	111UB163	130102-0160	22
			105US	130102-0090	19	111US	130102-0164	22
00-4975	130180-0404	75, 76, 78, 80, 83, 127	105USA163	130102-0091	19	111USA163	130102-0165	22
			105USB163	130102-0093	19	112020A01F060	130010-0147	234
00-4978	130180-0405	75, 80, 127	106	130102-0095	19	112020A01F120	130010-0152	234
00-4980	130180-0278	75, 76, 79, 81, 83, 127, 215	1060-PL	130108-0103	32	112020A01F200	130010-0159	234
00-4981	130180-0279	75, 76, 79, 81, 83, 127, 215	1061-PL	130108-0104	32	113020A01F060	130010-0221	234
00-4982	130180-0280	75, 76, 79, 81, 83, 127, 215	1062-PL	130108-0105	32	113020A01F120	130010-0228	234
00-4983	130180-0281	75, 76, 79, 81, 83, 127, 215	106A163	130102-0096	19	113020A01F200	130010-0238	234
00-4984	130180-0406	75, 79, 81, 83, 127, 215	106B163	130102-0097	19	114	130102-0167	21
00-4985	130180-0407	75, 76, 79, 81, 83, 127, 215	106I	130102-0098	19	114A163	130102-0168	21
00-4986	130180-0408	75, 76, 79, 81, 83, 127, 215	106IA163	130102-0099	19	114B163	130102-0169	21
00-4987	130180-0409	75, 76, 79, 81, 83, 127, 215	106IB163	130102-0100	19	114U	130102-0171	21
00-4990	130180-0410	75, 79, 81, 83, 127	106S	130102-0101	19	114UA163	130102-0172	21
00-4991	130180-0411	75, 79, 81, 83, 127	106SA163	130102-0102	19	114UB163	130102-0173	21
00-4992	130180-0282	75, 79, 81, 83, 127	106SB163	130102-0103	19	114US	130102-0177	21
00-4993	130180-0283	75, 76, 79, 81, 83, 127	106SI	130102-0106	19	114USA163	130102-0178	21
00-4994	130180-0412	75, 76, 79, 81, 83, 127	106SIB163	130102-0107	19	114USB163	130102-0180	21
00-4995	130180-0413	75, 76, 79, 81, 83, 127	106U	130102-0108	19	115	130102-0185	22
00-4996	130180-0284	75, 76, 79, 81, 127	106UA163	130102-0109	19	1152	130112-0079	14
00-4997	130180-0414	75, 76, 79, 81, 83, 127	106UB163	130102-0110	19	1156	130112-0085	14, 19, 26
00-4998	130180-0285	75, 81, 127	106UI	130102-0111	19	1156G	130112-0087	19
00-5070	130180-0308	75, 81, 127	106UIA163	130102-0112	19	115B163	130102-0188	22
00-5071	130180-0309	75, 81, 127	106UIB163	130102-0113	19	115I	130102-0189	22
00-5072	130180-0310	75, 81, 127	106US	130102-0114	19, 49	115IB163	130102-0190	22
00-5073	130180-0311	75, 81, 127	106USA163	130102-0117	19	115U	130102-0192	22
00-5074	130180-0312	75, 81, 127	106USB163	130102-0120	19	115UA163	130102-0193	22
00-5150	130180-0468	234	106USI	130102-0123	19	115UB163	130102-0194	22
00-5263	130180-0286	75, 76, 78, 80, 83, 127	106USIA163	130102-0124	19	115UI	130102-0196	22
			106USIB163	130102-0125	19	115US	130102-0198	22
00-5264	130180-0287	75, 76, 78, 80, 83, 127	1083-3	130108-0106	25	115USA163	130102-0199	22
			1083-3HON	130112-0068	25, 49	115USB163	130102-0200	22
			1083-3M	130108-0119	35	115USI	130102-0201	22
			1083-3MM	130108-0120	35	115USIA163	130102-0202	22
			1083-3NS	130108-0122	25	115USIB163	130102-0203	22
			1085-3	130108-0125	25	1160	130112-0092	21
			1086-3	130108-0128	25	1161	130112-0095	22
			1086-3HO	130108-0133	25, 49	1164	130112-0099	21
			1086-3NS	130108-0134	25	1165	130112-0102	22, 22
			1087-3	130108-0136	25	1165G	130112-0104	22
			1090-HZ	130104-0021	9	1166	130112-0105	19, 26
			1090-HZ12A163	130104-0022	9	1168	130112-0106	20
			1090-HZ12B163	130104-0023	9	1173	130102-0204	19 to 23
						1174	130102-0207	19, 20, 22, 23

Woodhead No. Index

Woodhead No.	Order No.	Page	Woodhead No.	Order No.	Page	Woodhead No.	Order No.	Page
1175U	130102-0210	19 to 23	1433B123	130143-0088	140	14W49-P	130146-0189	120
1175US	130102-0211	19 to 23	1433BLK	130141-0011	134	14W49A143	130143-0157	124
118	130102-0212	20	1433D123	130143-0091	140	14W49B143	130143-0159	124
1181	130112-0108	23	1433EZ	130141-0012	134	14WBK	130155-0021	126
118A163	130102-0213	20	1433MB	130149-0007	139	1504	130141-0023	134
118B163	130102-0214	20	1434	130141-0014	134	15050-1	130153-0019	189
118S	130102-0215	20	1447	130141-0015	134	15050-1A	130153-0020	177
118SA163	130102-0216	20	1447-W	130154-0035	141	15050-1M	130153-0021	177
118SB163	130102-0217	20	1447-W-IN	130154-0037	141	15050-25	130153-0022	189
118UB163	130102-0221	20	1447-Y	130154-0038	141	15050-25A	130153-0023	177
118US	130102-0222	20	1447-Y-IN	130154-0040	141	15050-25M	130153-0024	177
118USA163	130102-0223	20	1447-YB	130154-0039	141	15050-25TT	130153-0025	189
118USB163	130102-0224	20	1447A123	130143-0093	140	15050-25TTA	130153-0026	178, 187
119	130102-0226	23	1447A143	130143-0095	140	15050-25TTM	130153-0027	178, 187
119A163	130102-0227	23	1447A163	130143-0097	140	15050-3TT	130153-0028	189
119B163	130102-0228	23	1447B123	130143-0099	140	15050-3TTA	130153-0029	178, 187
119S	130102-0229	23	1447B143	130143-0102	140	15050-3TTM	130153-0030	178, 187
119SA163	130102-0230	23	1447B143IN	130143-0103	141	15050-50A	130153-0031	177
119UB163	130102-0233	23	1447B163	130143-0104	140	15050-50M	130153-0032	177
119US	130102-0234	23	1447BLK	130141-0016	134	15050-50TT	130153-0033	189
119USA163	130102-0235	23	1447D143	130143-0111	140	15050-50TTA	130153-0034	178, 187
1203	130103-0014	17	1447D163	130143-0113	140	15050-50TTM	130153-0035	178, 187
1203A163	130103-0015	17	1447EZ	130141-0017	134	15050-6	130153-0036	189
1203B163	130103-0016	17	1447L143	130143-0114	140	15050-6A	130153-0037	177
1203D163	130103-0017	17	1447MB	130149-0008	139	15050-6M	130153-0038	177
1203GC	130103-0018	17	1448	130141-0020	134	15050-6TT	130153-0039	189
1203GCA163	130103-0019	17	1448-Y	130154-0041	141	15050-6TTA	130153-0040	178, 187
1203GCB163	130103-0020	17	1448A143	130143-0115	140	15050-6TTM	130153-0041	178, 187
1203I	130103-0021	17	1449	130141-0022	134	15051-0M	130153-0267	178
1203IA163	130103-0022	17	1449-W	130154-0042	141	15051-0MY	130153-0290	177
1203IB163	130103-0024	17	1449B143	130143-0119	140	15051-FAA	130153-0293	178
1203ID163	130103-0026	17	14F47	130144-0014	135, 158	15051-FAM	130153-0297	178
1203IGC	130103-0027	17	14R47	130144-0016	135, 158	15052-1	130153-0054	190
1203QO	130103-0035	17	14W	130155-0020	126	15052-1A	130153-0056	178
1203QOA163	130103-0036	17	14W07	130146-0015	116	15052-1M	130153-0059	178
1203QOB163	130103-0037	17	14W07-P	130146-0180	120	15052-25	130153-0060	190
1203QOGC	130103-0038	17	14W07A163	130146-0016	124	15052-50	130153-0064	190
1203R	130103-0041	17	14W33	130146-0022	116	15052-6	130153-0067	190
1203RA163	130103-0042	17	14W33-P	130146-0182	120	15053-2	130153-0071	190
1203RB163	130103-0044	17	14W33-W	130154-0043	125	15053W-2	130153-0080	190
1203RGC	130103-0048	17	14W33-Y	130154-0044	125	15054	130153-0089	190
1203RI	130103-0049	17	14W33A123	130143-0121	124	15054-1A	130153-0090	190
1203RIA163	130103-0050	17	14W33A143	130143-0124	124	15054-1M	130153-0091	188
1203RIB163	130103-0052	17	14W33B123	130143-0125	124	15054-25A	130153-0092	179, 188
1203RID163	130103-0054	17	14W33B123IN	130143-0126	125	15054-25M	130153-0095	188
1220	130103-0064	17	14W33D123	130143-0129	124	15054A	130153-0096	188
1223	130103-0065	17	14W33D143	130143-0131	124	15054M	130153-0099	179
1225	130103-0066	17	14W34	130146-0028	116	15054M	130153-0100	179
1229	130112-0110	13, 17	14W34-P	130146-0184	120	1507	130141-0024	134
123JQ25-14W10515M	130111-0112	38	14W47	130146-0031	116	1533	130141-0025	134
123JR100-14W10515M	130111-0100	38	14W47-P	130146-0185	120	1533GCM	130141-0027	134
123JR50-14W10515M	130111-0101	38	14W47-W	130154-0046	125	1533MB	130149-0011	138
123WR100-14W10515	130111-0117	38	14W47-W-IN	130154-0047	125	1534	130141-0030	134
123WR50-14W10515	130111-0118	38	14W47-Y	130154-0048	125	1547	130141-0031	134
1253	130191-0086	13, 17	14W47-Y-IN	130154-0049	125	1547BLK	130141-0032	134
1255	130112-0111	13, 17	14W47A143	130143-0134	124	1547GCM	130141-0033	134
1255R	130112-0114	17	14W47A143IN	130143-0135	125	1547MB	130149-0012	138
1259	130112-0119	17	14W47A163	130143-0137	124	1548	130141-0036	134
130112-0263	130112-0263	33	14W47B123	130143-0138	124	1548MB	130149-0013	138
1324	130108-0151	32	14W47B123IN	130143-0139	125	1549	130141-0038	134
1334	130108-0156	32	14W47B143	130143-0140	124	15W07	130146-0050	116
1335	130108-0157	32	14W47B143IN	130143-0141	125	15W07-P	130146-0192	120
1350	130108-0162	32	14W47B163	130143-0143	124	15W33	130146-0052	116
1351	130108-0164	32	14W47D123	130143-0148	124	15W33-P	130146-0193	120
1352	130108-0167	32	14W47D123IN	130143-0149	125	15W33MB	130146-0056	122
1404	130141-0006	134	14W47D143	130143-0150	124	15W34	130146-0059	116
1404A162	130143-0083	140	14W47D143IN	130143-0151	125	15W34-P	130146-0196	120
1407	130141-0007	134	14W47D163	130143-0153	124	15W47	130146-0060	116
1419	130141-0008	134	14W47L143	130143-0154	124	15W47-P	130146-0197	120
1433	130141-0010	134	14W48	130146-0040	116	15W47MB	130146-0065	122
1433-W	130154-0033	141	14W48-P	130146-0187	120	15W48	130146-0068	116
1433-W-IN	130154-0105	141	14W48-W	130154-0050	125	15W48-P	130146-0200	120
1433-Y	130154-0034	141	14W48-Y	130154-0052	125	15W48MB	130146-0072	122
1433A123	130143-0084	140	14W48D143	130143-0156	124	15W49	130146-0074	116
1433A143	130143-0086	140	14W49	130146-0044	116	15W49-P	130146-0203	120

Woodhead No. Index

Woodhead No.	Order No.	Page	Woodhead No.	Order No.	Page	Woodhead No.	Order No.	Page
15W49MB	130146-0076	122	20051-0M	130153-0110	180, 187	24W47-W-IN	130154-0059	125
1600-12A	130105-0028	14	20051-1	130153-0111	191	24W47-Y	130154-0060	125
1600-12B	130105-0029	14	20051-1A	130153-0112	180, 187	24W47-Y-IN	130154-0061	125
1601-12A	130105-0030	14	20051-1M	130153-0113	180, 187	24W47A143	130143-0187	124
1601-12B	130105-0031	14	20051-1MLDA	130153-0114	181	24W47A163	130143-0189	124
1606	130105-0032	15	20051-1MLDM	130153-0115	181	24W47B123	130143-0190	124
1610	130105-0033	15	20051-25	130153-0116	191	24W47B143	130143-0191	124
1610S	130105-0034	15, 49	20051-25A	130153-0117	187	24W47B143IN	130143-0192	125
1612	130105-0035	16	20051-25M	130153-0118	180, 187	24W47B163	130143-0193	124
1612S	130105-0036	16	20051-6	130153-0119	191	24W47D143	130143-0195	124
1621-12A	130105-0037	13	20051-6A	130153-0120	187	24W47D163	130143-0196	124
1621-12B	130105-0038	13	20051-6M	130153-0121	187	24W49	130146-0088	116
1621-12B-P	130105-0039	13	20051-FAA	130153-0300	180	24W49-P	130146-0211	120
1625-12A	130105-0041	13	20052-0PM18	130153-0278	181	24W49A143	130143-0198	124
1625-12B	130105-0042	13	20052-0PM30	130153-0280	181	2504	130141-0052	136
1631-12A	130105-0043	13	20052-0PM45	130153-0281	181	2504MB	130149-0018	138
1631-12B	130105-0044	13	20052-0PM60	130153-0282	181	2507	130141-0053	136
1635-12A	130105-0045	11	20052-1A	130153-0123	181	2507MB	130149-0019	138
1635-12B	130105-0046	11	20052-1M	130153-0126	181	2534	130141-0054	136
1638-12	130105-0048	16	20052-25A	130153-0128	181	2534MB	130149-0020	138
1640-12	130105-0050	12	20052-25M	130153-0130	181	2547	130141-0056	136
1642-12	130105-0052	12	20052-W-2M	130153-0135	181	2547GCM	130141-0057	136
1645-12	130104-0038	11	20052-Y-20MH	130153-0279	181	2547MB	130149-0021	138
1646-12	130105-0056	13	20052-Y-2M	130153-0136	181	2549	130141-0060	136
1647-12	130105-0057	15	20052-Y-2MH	130153-0286	181	2549MB	130149-0022	138
1648-12	130105-0058	14	20052-Y-30MH	130153-0283	181	25T04	130144-0019	137
1649-12	130105-0059	13	20052-Y-45MH	130153-0284	181	25W04	130146-0090	116
1652-12	130191-0031	11, 13, 14	20052-Y-60MH	130153-0285	181	25W04-P	130146-0212	120
1655-12A	130105-0082	8	20053-2	130153-0137	191	25W04MB	130146-0091	122
1655-12B	130105-0083	8	20053W-2	130153-0140	191	25W07	130146-0092	116
1660	130112-0128	15, 16	20054	130153-0144	189, 191	25W07-P	130146-0214	120
1660S	130112-0129	15, 16	20054-1	130153-0145	191	25W07MB	130146-0094	122
1668	130112-0130	15, 16	2010LED	130108-0304	31	25W34	130146-0095	116
1675-12	130112-0131	13, 14	2011LED	130108-0305	31	25W34-P	130146-0216	120
1676	130112-0132	13, 14	2012LED	130108-0306	31	25W34MB	130146-0097	122
1676-EX	130112-0133	8, 11	2013LED	130108-0307	31	25W47	130146-0099	116
1677	130112-0134	8, 11	202SRL	130111-0023	42	25W47-P	130146-0219	120
1678-12	130112-0135	11	2030	130108-0199	32	25W47MB	130146-0103	122
1679-12	130112-0272	8	2031	130108-0202	32	25W49	130146-0106	116
1684S	130105-0062	15	2404	130141-0043	136	25W49-P	130146-0222	120
1691-12B	130105-0064	15	2404MB	130143-0014	139	25W49MB	130146-0107	122
1691-12BS	130105-0065	15	24052-0A	130153-0153	180	2607	130141-0061	136
1692-12B	130105-0066	16	24052-0M	130153-0154	180	2608	130142-0002	136
1692-12BS	130105-0067	16	24052-1A	130153-0155	181	2608-Y	130154-0106	141
1702	130151-0012	143	24052-1M	130153-0156	181	2608B143	130143-0201	140
1704	130151-0013	143	24052-1MLDA	130153-0157	181	2608G	130142-0004	136
1705	130151-0014	143	24052-1MLDM	130153-0158	181	2608MB	130149-0024	139
1708	130151-0016	143	2407	130141-0044	136	2609	130142-0006	136
1712	130151-0017	143	2407A143	130143-0169	140	2647	130141-0062	136
1719	130151-0018	143	2407B163	130143-0171	140	2647-W	130154-0062	141
1725	130151-0019	143	2407MB	130149-0014	139	2647-W-IN	130154-0063	141
1730	130151-0020	143	2434	130141-0045	136	2647-Y	130154-0064	141
1732	130151-0021	143	2447	130141-0047	136	2647-Y-IN	130154-0065	141
1733	130151-0022	143	2447-W	130154-0055	141	2647A123	130143-0203	140
1740	130151-0023	143	2447-Y	130154-0056	141	2647A143	130143-0204	140
1741	130151-0024	143	2447B143	130143-0176	140	2647B123	130143-0205	140
1744	130151-0025	143	2447D143	130143-0178	140	2647B143	130143-0207	140
1751	130127-0003	241	2447EZ	130141-0048	136	2647D123	130143-0209	140
1760	130127-0007	241	2447MB	130149-0016	139	2647E123IN	130143-0210	141
1783	130151-0026	143	2449	130141-0051	136	2647MB	130149-0027	139
1913SA	130108-0170	18	2449MB	130149-0017	139	2648	130141-0063	136
1913SB	130108-0173	18	24T04	130144-0017	137	2648A123	130143-0211	140
1926SA	130108-0179	18	24W04	130146-0077	116	2648A143	130143-0212	140
1926SB	130108-0181	18	24W04-P	130146-0205	120	2648MB	130149-0028	139
1R2004A20A120	130013-0060	234	24W04A142	130143-0180	124	2649	130141-0064	136
1R3004A20A120	130013-0135	234	24W04B162	130143-0015	124	2674	130142-0009	136
2000	130108-0187	32	24W04D142	130143-0307	124	2674B124	130143-0214	140
2000LED	130108-0300	31	24W07	130146-0078	116	2674MB	130149-0029	139
2001	130108-0191	32	24W07-P	130146-0206	120	2675	130142-0010	136
2001LED	130108-0301	31	24W34	130146-0079	116	2676	130142-0012	136
2002	130108-0193	32	24W34-P	130146-0207	120	2681	130142-0014	136
2002LED	130108-0302	31	24W34A163	130143-0017	124	2682	130142-0015	136
2003	130108-0194	32	24W47	130146-0082	116	2683	130142-0016	136
2003LED	130108-0303	31	24W47-P	130146-0209	120	26T07	130144-0021	137
20051-0A	130153-0109	180, 187	24W47-W	130154-0058	125	26T08	130145-0002	137

Woodhead No. Index

Woodhead No.	Order No.	Page	Woodhead No.	Order No.	Page	Woodhead No.	Order No.	Page
26T47	130145-0008	137	271UB163	130102-0258	26	27W83MB	130147-0068	123
26T47YL	130145-0010	137	271US	130102-0259	26, 49	2808	130142-0031	136
26T48	130145-0011	137	271USA163	130102-0260	26	2809	130142-0032	136
26T48YL	130145-0012	137	271USB163	130102-0261	26	2847	130142-0033	136
26T49	130145-0013	137	2747	130142-0021	136	2847A123	130143-0252	140
26T74	130145-0015	137	2747MB	130149-0039	138	2848	130142-0034	136
26T75	130145-0017	137	2748	130141-0066	136	2848-Y	130154-0073	141
26T76	130145-0019	137	2748MB	130149-0040	138	2848A103	130143-0254	140
26W	130155-0028	126	2749	130142-0023	136	2848A123	130143-0255	140
26W07	130146-0108	116	2749MB	130149-0041	138	2848B103	130143-0312	140
26W07-P	130146-0224	120	2765	130102-0266	26	2849	130142-0035	136
26W08	130147-0012	116	2765B163	130102-0268	26	2874	130142-0036	136
26W08-P	130147-0220	120	276U	130102-0269	26	2874MB	130149-0051	139
26W08A143	130143-0217	124	276UA163	130102-0270	26	2875	130142-0037	136
26W08B143	130143-0218	124	276UB163	130102-0271	26	2875MB	130149-0052	139
26W08G	130147-0014	116	276US	130102-0272	26	2876	130142-0038	136
26W08G-P	130147-0221	120	276USA163	130102-0273	26	2876B104	130143-0257	140
26W09	130147-0015	117	276USB163	130102-0274	26	2876MB	130149-0053	139
26W09-P	130147-0222	121	2774	130142-0024	136	2877	130142-0039	136
26W10	130147-0017	117	2774MB	130149-0042	138	2881	130142-0040	136
26W10-P	130147-0224	121	2775	130142-0025	136	2882	130142-0041	136
26W47	130147-0018	116	2776	130142-0026	136	2883	130142-0042	136
26W47-P	130147-0225	120	2781	130142-0028	136	28T47	130145-0048	137
26W47-W	130154-0068	125	2782	130142-0029	136	28T48	130145-0050	137
26W47-W-IN	130154-0069	125	2783	130142-0030	136	28T74	130145-0052	137
26W47-Y	130154-0070	125	27T07	130144-0022	137	28T75	130145-0054	137
26W47-Y-IN	130154-0071	125	27T08	130145-0025	137	28T76	130145-0056	137
26W47A123	130143-0221	124	27T47	130145-0030	137	28T77	130145-0058	137
26W47A143	130143-0222	124	27T47YL	130145-0031	137	28W	130155-0030	126
26W47B123	130143-0223	124	27T48	130145-0032	137	28W08	130147-0069	116
26W47B123IN	130143-0224	125	27T48YL	130145-0033	137	28W08-P	130147-0272	120
26W47B143	130143-0225	124	27T49	130145-0034	137	28W09	130147-0071	117
26W47D123	130143-0226	124	27T74	130145-0035	137	28W09-P	130147-0273	121
26W47D143	130143-0227	124	27T75	130145-0037	137	28W47	130147-0072	116
26W47E123IN	130143-0228	125	27T76	130145-0039	137	28W47-P	130147-0274	120
26W48	130147-0021	116	27W07	130146-0110	116	28W47A103	130143-0261	124
26W48-P	130147-0227	120	27W07-P	130146-0225	120	28W47A123	130143-0262	124
26W49	130147-0023	116	27W07MB	130146-0112	122	28W47B103	130143-0263	124
26W49-P	130147-0229	120	27W08	130147-0035	116	28W48	130147-0074	116
26W74	130147-0025	117	27W08-P	130147-0240	120	28W48-P	130147-0276	120
26W74-P	130147-0230	121	27W08G	130147-0036	116	28W48A103	130143-0266	124
26W74A124	130143-0235	124	27W08G-P	130147-0241	120	28W49	130147-0076	116
26W74A124BLK	130143-0236	124	27W08MB	130147-0037	122	28W49-P	130147-0278	120
26W74A144	130143-0237	124	27W09	130147-0038	117	28W74	130147-0077	117
26W74B124	130143-0238	124	27W09-P	130147-0243	121	28W74-P	130147-0279	121
26W74B144	130143-0240	124	27W09MB	130147-0040	123	28W74A104	130143-0270	124
26W75	130147-0027	117	27W10	130147-0041	117	28W74A104BLK	130143-0310	124
26W75-P	130147-0232	121	27W10-P	130147-0246	121	28W74B104	130143-0271	124
26W76	130147-0029	117	27W10MB	130147-0043	123	28W74D104	130143-0273	124
26W76-P	130147-0234	121	27W47	130147-0044	116	28W75	130147-0079	117
26W76A124	130143-0245	124	27W47-P	130147-0248	120	28W75-P	130147-0281	121
26W76A144	130143-0246	124	27W47MB	130147-0047	122	28W75A104	130143-0274	124
26W76B124	130143-0247	124	27W48	130147-0048	116	28W75A124	130143-0275	124
26W81	130147-0031	117	27W48-P	130147-0251	120	28W75B104	130143-0276	124
26W81-P	130147-0236	121	27W48MB	130147-0050	122	28W75B124	130143-0018	124
26W81A145	130143-0248	124	27W49	130147-0051	116	28W75D104	130143-0277	124
26W81D125	130143-0308	124	27W49-P	130147-0254	120	28W76	130147-0081	117
26W82	130147-0033	117	27W49MB	130147-0052	122	28W76-P	130147-0283	121
26W82-P	130147-0238	121	27W74	130147-0053	117	28W76A104	130143-0278	124
26W83	130147-0034	117	27W74-P	130147-0256	121	28W76A124	130143-0279	124
26W83-P	130147-0239	121	27W74MB	130147-0055	123	28W77	130147-0083	117
26WBLK	130155-0029	126	27W75	130147-0056	117	28W77-P	130147-0285	121
270-1	130102-0245	26	27W75-P	130147-0259	121	28W77A104	130143-0280	124
270-2	130102-0246	26	27W75MB	130147-0058	123	28W81	130147-0085	117
270-3	130102-0247	26	27W76	130147-0059	117	28W81-P	130147-0287	121
2707	130141-0065	136	27W76-P	130147-0262	121	28W82	130147-0086	117
2708	130142-0017	136	27W76MB	130147-0061	123	28W82-P	130147-0288	121
2708G	130142-0018	136	27W81	130147-0062	117	28W83	130147-0088	117
2708MB	130149-0036	138	27W81-P	130147-0265	121	28W83-P	130147-0289	121
2709	130142-0019	136	27W81MB	130147-0064	123	28WBLK	130155-0031	126
271S	130102-0252	26	27W82	130147-0065	117	2908	130145-0066	136
271SA163	130102-0253	26	27W82-P	130147-0268	121	2909	130145-0067	136
271SB163	130102-0254	26	27W82MB	130147-0066	123	2947	130141-0067	136
271U	130102-0256	26	27W83	130147-0067	117	2948	130141-0068	136
271UA163	130102-0257	26	27W83-P	130147-0270	121	2949	130141-0069	136

Woodhead No. Index

Woodhead No.	Order No.	Page	Woodhead No.	Order No.	Page	Woodhead No.	Order No.	Page
2974	130142-0043	136	30051-0A	130153-0261	182, 188	3080-GFI	130137-0180	206
2974MB	130149-0059	138	30051-0M	130153-0262	182, 188	3080-GFI20	130137-0181	208
2975	130142-0044	136	30051-1	130153-0163	192	3080F	130137-0176	209
2975MB	130149-0060	138	30051-1A	130153-0164	182, 188	3080F-1	130137-0177	205
2976	130142-0045	136	30051-1M	130153-0165	182, 188	3080F-GFI	130137-0178	206
2976MB	130149-0061	138	30051-25A	130153-0168	188	3080F-GFI20	130137-0179	208
2977	130142-0046	136	30051-25M	130153-0169	188	3081	130137-0008	210
2981	130142-0047	136	30051-6A	130153-0171	188	3082	130137-0009	210
2982	130142-0048	136	30051-6M	130153-0172	188	3083	130137-0185	210
2983	130142-0049	136	30052-1A	130153-0174	182	3085	130137-0010	209
29T47	130145-0071	137	30052-1M	130153-0175	182	3085-1	130137-0191	205
29T48	130145-0072	137	30053-0A	130153-0181	184	3085-10	130137-0192	207
29T74	130145-0076	137	30053-0A2P	130153-0253	185	3085-10A123	130137-0193	207
29T75	130145-0078	137	30053-0A3P	130153-0252	185	3085-10B123	130137-0194	207
29T76	130145-0080	137	30053-0A5P	130153-0254	185	3085-10BLK	130137-0195	211
29T77	130145-0082	137	30053-0A6P	130153-0251	185	3085-10D123	130137-0196	207
29W08	130147-0089	116	30053-0M	130153-0182	184	3085F	130137-0199	209
29W08-P	130147-0290	120	30053-0M2P	130153-0249	185	3086	130137-0011	210
29W08MB	130147-0090	122	30053-0M3P	130153-0248	185	3086F	130137-0006	210
29W09	130147-0091	117	30053-0M5P	130153-0250	185	3090	130137-0013	209
29W09-P	130147-0292	121	30053-0M6P	130153-0247	185	3090F	130137-0204	209
29W47	130147-0093	116	30053-1A	130153-0184	184	3090FBLK	130137-0205	211
29W47-P	130147-0293	120	30053-1M	130153-0185	184	3091	130137-0014	209
29W47MB	130147-0095	122	30053-2A2F	130153-0245	186	3091BLK	130137-0294	211
29W48	130147-0096	116	30053-2A3F	130153-0244	186	3091F	130137-0210	209
29W48-P	130147-0296	120	30053-2A5F	130153-0246	186	3091FBLK	130137-0211	211
29W48MB	130147-0098	122	30053-2A6F	130153-0243	186	3095-000	130137-0213	212
29W49	130147-0099	116	30053-2AF	130153-0265	184	3095-002	130137-0214	212
29W49-P	130147-0299	120	30053-2M2F	130153-0241	186	3099	130137-0216	209
29W49MB	130147-0101	122	30053-2M3F	130153-0240	186	3099BLK	130137-0217	211
29W74	130147-0102	117	30053-2M5F	130153-0242	186	30W	130155-0032	126
29W74-P	130147-0300	121	30053-2M6F	130153-0239	186	31-5800	130228-0721	234
29W74MB	130147-0104	123	30053-2MF	130153-0266	184	310	130107-0029	40
29W75	130147-0105	117	30054-1A	130153-0193	184	310123	130107-0030	40
29W75-P	130147-0303	121	30054-1M	130153-0194	184	310423	130107-0033	40
29W75MB	130147-0107	123	30054-25A	130153-0196	184	310W	130107-0034	40
29W76	130147-0108	117	30055-0A	130153-0287	183	3123	130135-0177	220
29W76-P	130147-0306	121	30055-0M	130153-0288	183	3129	130135-0181	220
29W76MB	130147-0110	123	300W	130107-0025	40	31565	130136-0025	218
29W77	130147-0111	117	3025SRL	130111-0024	42	31565A123	130136-0027	218
29W77-P	130147-0309	121	305	130112-0144	40	31565A143	130136-0029	218
29W77MB	130147-0115	123	3050	130137-0147	209	31565B123	130136-0030	218
29W81	130147-0116	117	3050F	130137-0148	209	31593	130136-0033	218
29W81-P	130147-0312	121	3051	130138-0020	209	315933	130136-0034	218
29W81MB	130147-0117	123	3051BLK	130138-0021	211	31593A123	130136-0035	218
29W82	130147-0118	117	3052	130138-0022	210	31593A143	130136-0036	218
29W82-P	130147-0314	121	3054	130138-0023	209	31593A143IN	130136-0037	218
29W82MB	130147-0119	123	3054BLK	130138-0113	211	31593B123	130136-0038	218
29W83	130147-0120	117	3055	130138-0024	210	31593B143	130136-0039	218
29W83-P	130147-0316	121	3056	130138-0025	209	31594	130136-0042	218
29W83MB	130147-0121	123	3056BLK	130138-0026	211	31594A123	130136-0043	218
300	130107-0024	40	3057	130138-0028	210	31594A143	130136-0044	218
3000	130137-0087	209	3058	130138-0029	210	31594B123	130136-0045	218
3000-1	130137-0088	204	3059	130137-0149	209	3200	130135-0185	215
3000-10	130137-0089	207	3059BLK	130137-0293	211	320C4	130150-0036	144
3000-10A123	130137-0090	207	306	130191-0085	40	320C4W	130150-0037	129
3000-10A123BLK	130137-0091	211	3060	130138-0030	209	320C5	130150-0038	144
3000-10E123	130137-0093	207	3060BLK	130138-0263	211	320C6	130150-0039	144
3000-1A143	130137-0095	204	3061	130138-0032	209	320C6W	130150-0040	129
3000-1B143	130137-0097	204	3061BLK	130138-0033	211	320P4	130150-0049	144
3000-1BLK	130137-0099	211	3065	130137-0150	202	320P4W	130150-0050	129
3000-1E143	130137-0100	204	3066	130138-0034	202	320P5	130150-0051	144
3000-1L143	130137-0101	204	3070-GFI	130137-0155	206	320P6	130150-0052	144
3000-1L143IN	130137-0102	204	3070-GFI20	130137-0156	208	320P6W	130150-0053	129
3000BLK	130137-0113	211	3070-GFIA123	130137-0157	206	320R4	130150-0056	144
3000F	130137-0115	204	3070-GFIA143	130137-0158	206	320R4W	130150-0057	129
3000F-1BLK	130137-0117	211	3070-GFIB123	130137-0159	206	320R5	130150-0289	144
3000FBLK	130137-0118	211	3070-GFID123	130137-0162	206	320R6	130150-0058	144
3001	130137-0121	210	3070F-GFI	130137-0153	206	320R6W	130150-0059	129
3003	130137-0124	210	3080	130137-0007	209	3210	130135-0186	215
3005	130137-0126	209	3080-1	130137-0165	205	3215	130135-0187	215
3005-1	130137-0127	204	3080-10	130137-0166	207	323123	130106-0104	39
3005-1A143	130137-0128	204	3080-10A123	130137-0167	207	323124	130106-0105	39
3005-1B143	130137-0130	204	3080-10B123	130137-0169	207	323125	130106-0106	39
3005-1E143	130137-0132	204	3080-10E123	130137-0171	207	323126	130106-0107	39

Woodhead No. Index

Woodhead No.	Order No.	Page	Woodhead No.	Order No.	Page	Woodhead No.	Order No.	Page
323133	130106-0108	39	3304GFA123	130137-0234	196	35005	130094-0217	91
323134	130106-0109	39	3304GFB123	130137-0235	196	35006	130094-0219	91
323135	130106-0110	39	3304GFD123	130137-0236	196	35007	130094-0221	91
323136	130106-0111	39	3304GFL123	130137-0237	196	35008	130094-0223	91
323523	130106-0112	39	3304GGFA123	130137-0238	196	35009	130094-0225	91
323524	130106-0113	39	3304GGFL123	130137-0240	196	35010	130094-0227	91
323525	130106-0114	39	3320	130135-0246	213	35030	130094-0230	90
323526	130106-0115	39	3320A123	130135-0247	213	35031	130094-0232	90
323533	130106-0116	39	3320B123	130135-0248	213	35032	130094-0234	90
323534	130106-0117	39	3320D123	130135-0013	213	35033	130094-0236	90
323535	130106-0118	39	3320E123	130135-0249	213	35034	130094-0238	90
323536	130106-0119	39	3320FA123	130135-0250	213	35035	130094-0240	90
32547	130136-0046	218	3320L123	130135-0251	213	35036	130094-0242	90
32547A123	130136-0047	218	3321A123	130135-0014	214	35037	130094-0244	90
32547A143	130136-0048	218	3321E123	130135-0254	214	35038	130094-0246	90
32547B123	130136-0001	218	3321L123	130135-0255	214	35039	130094-0247	90
32547B143	130136-0049	218	3322	130135-0256	214	35040	130094-0249	90
32553	130136-0050	218	3322A123	130135-0257	214	35060	130094-0251	92
32553B123	130136-0052	218	3322B123	130135-0258	214	35061	130094-0253	92
3260	130138-0035	216	3322D123	130135-0259	214	35062	130094-0255	92
3260W	130138-0036	216	3322E123	130135-0260	214	35063	130094-0257	92
3261	130138-0037	216	3322F123	130135-0262	214	35064	130094-0259	92
3261W	130138-0038	216	3322L123	130135-0263	214	35065	130094-0261	92
3262	130138-0039	216	3323FL123	130135-0343	214	35066	130094-0263	92
3262W	130138-0040	216	3324FL123	130135-0015	214	35067	130094-0265	92
3263	130138-0041	216	3324L123	130135-0268	214	35068	130094-0267	92
3263W	130138-0042	216	3325L123	130135-0272	214	35090	130094-0271	93
3264	130138-0102	216	3327A123	130135-0273	213	35091	130094-0273	93
3264W	130138-0043	216	3327L123	130135-0276	213	35092	130094-0275	93
3265	130138-0044	216	3330A123	130135-0278	213	35093	130094-0276	93
3266	130138-0045	216	3330B123	130135-0279	213	35094	130094-0278	93
3267W	130138-0046	216	3330L123	130135-0281	213	35095	130094-0279	93
32708	130136-0053	218	3330RA123	130135-0283	213	35096	130094-0280	93
32708A123	130136-0054	218	3330RE123	130135-0285	213	35097	130094-0281	93
32708A143	130136-0055	218	3330RL123	130135-0287	213	35098	130094-0283	93
32708B143	130136-0057	218	3331RB123	130135-0288	214	35099	130094-0284	93
32747	130136-0058	218	3331RE123	130135-0289	214	3510	130136-0065	219
32747A123	130136-0059	218	3332A123	130135-0291	213	3510A143	130136-0066	219
32747B123	130136-0060	218	3332B123	130135-0292	213	35135	130094-0288	91
32747B143	130136-0061	218	3332L123	130135-0293	213	35136	130094-0290	91
3290-1	130135-0195	217	3332R	130135-0294	213	35137	130094-0292	91
3290-1B143	130135-0196	217	3332RA123	130135-0295	213	35138	130094-0294	91
3290-1E143	130135-0197	217	3332RB123	130135-0296	213	35139	130094-0296	91
3290-2	130135-0198	217	3332RL123	130135-0298	213	35140	130094-0298	91
3290-2E143	130135-0200	217	3362	130138-0047	203	35141	130094-0300	91
3290-3	130135-0201	217	3362GF	130137-0241	203	35142	130094-0302	91
3290-3E123	130135-0203	217	3363	130138-0048	210	35143	130094-0304	91
3290-9	130135-0204	217	34-0120	130191-0035	25	35144	130094-0306	91
3290-9E123	130135-0205	217	34-0130	130191-0036	25	35165	130094-0310	90
32G15A123	130135-0333	214	34-0350	130191-0021	25	35166	130094-0312	90
32G15E123	130135-0207	214	3400	130138-0049	220	35167	130094-0314	90
32G15L123	130135-0208	214	3400-20	130138-0050	220	35168	130094-0316	90
32G20A123	130135-0209	214	3400-20A123	130138-0051	220	35169	130094-0318	90
32G20E123	130135-0211	214	3400L	130138-0053	220	35170	130094-0320	90
32GM15A123	130135-0213	214	3400L-20	130138-0054	220	35171	130094-0322	90
32GM15L123	130135-0216	214	340310A	130104-0039	37	35172	130094-0324	90
32GM20A123	130135-0217	214	34047	130135-0303	219	35173	130094-0326	90
32GM20E123	130135-0219	214	34047L	130135-0304	219	35195	130094-0330	92
32GM20L123	130135-0220	214	34048	130135-0309	219	35196	130094-0332	92
32W33	130135-0228	197	340510A	130104-0040	37	35197	130094-0334	92
32W47	130135-0230	197	3410	130138-0057	220	35198	130094-0336	92
32W47A123	130135-0231	197	3410-20	130138-0058	220	35199	130094-0338	92
32W90-1	130135-0233	198	3410L	130138-0097	220	35200	130094-0340	92
32W90-1B143	130135-0329	198	3410L-20	130138-0059	220	35201	130094-0342	92
32W90-1E143	130135-0234	198	3413-20	130138-0061	220	35202	130094-0344	92
32W90-2	130135-0235	198	3413L-20	130138-0096	220	35203	130094-0346	92
32W90-2E143	130135-0236	198	342510A	130106-0120	37	35225	130094-0352	93
3300	130135-0245	215	34547	130135-0312	219	35226	130094-0354	93
3301GFA143	130137-0221	196	3492	130135-0313	199	35227	130094-0356	93
3301GFB143	130137-0222	196	3493	130135-0314	199	35228	130094-0357	93
3301GFD143	130137-0223	196	3494	130135-0315	199	35229	130094-0358	93
3301GFL143	130137-0224	196	35001	130094-0209	91	35230	130094-0359	93
3301GGFA143	130137-0225	196	35002	130094-0211	91	35231	130094-0360	93
3301GGFB143	130137-0226	196	35003	130094-0213	91	35232	130094-0361	93
3301GGFL143	130137-0227	196	35004	130094-0215	91	35270	130094-0367	91

Woodhead No. Index

Woodhead No.	Order No.	Page	Woodhead No.	Order No.	Page	Woodhead No.	Order No.	Page
35271	130094-0368	91	35907	130095-0152	98	36261	130097-0168	72
35272	130094-0370	91	35908	130095-0153	98	36263	130097-0170	72
35273	130094-0372	91	35909	130095-0154	98	36265	130097-0171	72
35274	130094-0374	91	35930	130095-0165	99	36267	130097-0172	72
35275	130094-0376	91	35931	130095-0166	99	36269	130097-0173	72
35276	130094-0378	91	35932	130095-0167	99	36270	130097-0174	72
35277	130094-0380	91	35933	130095-0168	99	36271	130097-0175	73
35278	130094-0382	91	35934	130095-0169	99	36272	130097-0176	73
35279	130094-0383	91	35935	130095-0170	99	36273	130097-0177	73
35285	130094-0385	90	35937	130095-0171	99	36274	130097-0178	73
35286	130094-0387	90	35940	130095-0172	100	36275	130097-0179	72
35287	130094-0389	90	35941	130095-0173	100	36276	130097-0180	72
35288	130094-0391	90	35942	130095-0174	100	36277	130097-0181	73
35289	130094-0393	90	35943	130095-0175	100	36278	130097-0182	73
35290	130094-0395	90	35944	130095-0176	100	36279	130097-0183	73
35291	130094-0397	90	35945	130095-0177	100	36287	130097-0188	73
35292	130094-0399	90	35946	130095-0178	100	36288	130097-0189	73
35293	130094-0401	90	35947	130095-0179	100	36289	130097-0190	73
35294	130094-0403	90	35948	130095-0180	100	36290	130097-0191	72
35300	130094-0406	92	35950	130095-0181	100	362V	130112-0153	41
35301	130094-0408	92	35951	130095-0182	100	36310	130097-0197	72
35302	130094-0410	92	35952	130095-0183	100	36312	130097-0198	72
35303	130094-0412	92	35953	130095-0184	100	36314	130097-0199	72
35304	130094-0414	92	35954	130095-0185	100	36316	130097-0200	72
35305	130094-0416	92	35955	130095-0186	100	36317	130097-0201	72
35306	130094-0418	92	35956	130095-0187	100	36319	130097-0202	72
35307	130094-0420	92	35960	130095-0188	100	36321	130097-0203	72
35308	130094-0422	92	35961	130095-0189	100	36323	130097-0204	72
35330	130094-0429	93	35962	130095-0190	100	36326	130097-0205	72
35331	130094-0430	93	35963	130095-0191	100	36328	130097-0206	72
35332	130094-0432	93	35964	130095-0192	100	36330	130097-0207	72
35333	130094-0434	93	35970	130095-0194	98, 110	36340	130097-0210	72
35334	130094-0435	93	35971	130095-0196	98, 110	36342	130097-0211	72
35335	130094-0436	93	35972	130095-0197	98, 110	36344	130097-0212	72
35336	130094-0437	93	35973	130095-0198	98, 110	36346	130097-0213	72
35337	130094-0438	93	35974	130095-0200	98, 110	36349	130097-0215	72
35338	130094-1042	93	35975	130095-0201	98, 110	36351	130097-0216	72
35339	130094-1400	93	35976	130095-0202	98	36353	130097-0217	72
35340	130094-0439	93	35980	130095-0203	100	36355	130097-0218	72
35425	130094-0440	94	35W34	130135-0316	197	36357	130097-0219	72
35426	130094-0442	94	35W47	130135-0317	197	36359	130097-0220	72
35427	130094-0444	94	36101	130095-0225	102	36370	130096-0034	86
35428	130094-0446	94	36102	130095-0227	102	36371	130096-0036	86
35429	130094-0448	94	36103	130095-0229	102	36372	130096-0037	86
35430	130094-0450	94	36104	130095-0230	102	36373	130096-0038	86
35435	130094-0457	94	36120	130095-0240	102	36374	130096-0039	86
35436	130094-0459	94	36121	130095-0241	102	36375	130096-0040	86
35437	130094-0461	94	36122	130095-0242	102	364	130114-0018	41
35438	130094-0463	94	36123	130095-0243	102	36400	130096-0050	86
35440	130094-0465	94	36124	130095-0244	102	36401	130096-0051	86
35441	130094-0466	94	36140	130095-0253	102	36402	130096-0052	86
35442	130094-0468	94	36141	130095-0255	102	36403	130096-0053	86
35443	130094-0470	94	36142	130095-0256	102	36404	130096-0054	86
35444	130094-0472	94	36143	130095-0257	102	36405	130096-0055	86
35445	130094-0474	94	36144	130095-0258	102	36440	130096-0056	86
35851	130095-0123	101	36145	130095-0259	102	36443	130096-0058	86
35865	130095-0124	101	36146	130095-0260	102	36475	130097-0235	73
35866	130095-0125	101	36147	130095-0261	102	36476	130097-0236	73
35867	130095-0126	101	362	130114-0017	41	36477	130097-0237	73
35868	130095-0127	101	36237	130099-0051	96	36478	130097-0238	73
35869	130095-0128	101	36237SS	130099-0228	96	36479	130097-0239	73
35870	130095-0129	101	36238	130099-0052	96	36480	130097-0240	73
35871	130095-0130	101	36238SS	130099-0229	96	36484	130097-0244	73
35872	130095-0131	101	36241	130094-0488	96	36485	130097-0245	73
35873	130095-0132	101	36241SS	130094-1401	96	36486	130097-0246	73
35880	130095-0135	101	36245	130097-0156	72	36487	130097-0247	73
35881	130095-0136	101	36246	130097-0157	72	36488	130097-0248	73
35882	130095-0137	101	36248	130097-0158	72	36489	130097-0249	73
35883	130095-0138	101	36249	130097-0159	72	364V	130112-0154	41
35901	130095-0146	98	36250	130097-0160	72	36501	130097-0256	71
35902	130095-0147	98	36251	130097-0161	72	36503	130097-0258	71
35903	130095-0148	98	36254	130097-0163	72	36505	130097-0260	71
35904	130095-0149	98	36256	130097-0165	72	36508	130097-0262	71
35905	130095-0150	98	36257	130097-0166	72	36512	130097-0265	71
35906	130095-0151	98	36259	130097-0167	72	36515	130097-0269	71

Woodhead No. Index

Woodhead No.	Order No.	Page	Woodhead No.	Order No.	Page	Woodhead No.	Order No.	Page
36516	130097-0271	71	36826	130097-0629	72	4100C7W	130150-0107	129
36517	130097-0272	71	36827	130097-0294	72	4100C9W	130150-0108	129
36518	130097-0273	71	36829	130097-0295	72	4100P12W	130150-0112	129
36519	130097-0274	71	36830	130097-0296	72	4100P5W	130150-0113	129
36550	130096-0059	88	37-8574	130185-0471	33	4100P7W	130150-0114	129
36551	130096-0060	88	370	130112-0160	39	4100P9W	130150-0115	129
36552	130096-0061	88	372	130112-0161	39	4100R12W	130150-0116	129
36553	130096-0062	88	372V	130112-0162	39	4100R5W	130150-0117	129
36554	130096-0063	88	3764N	130155-0041	137	4100R7W	130150-0118	129
36555	130096-0064	88	3765N	130155-0042	137	4100R9W	130150-0119	129
36560	130094-0489	96	3769	130155-0043	138	42-2190	130186-0318	234
36560SS	130094-0490	96	377	130112-0163	39	4202	130126-0235	237
36562	130094-0491	96	3775	130155-0044	139	4203	130126-0236	237
36562SS	130094-0492	96	377V	130112-0164	39	4204	130148-0072	237
36564	130094-0493	96	378	130114-0019	39	4205	130148-0073	237
36564SS	130094-0494	96	378V	130112-0166	39	4206	130126-0237	237
36567	130094-0495	96	380010A	130107-0038	37	4207	130126-0238	237
36567SS	130094-0496	96	380310A	130107-0039	37	4208	130126-0239	237
36569	130094-0497	96	380510A	130107-0040	37	4209	130126-0240	237
36569SS	130094-0498	96	380R	130112-0169	41	420C12	130198-0124	144
36571	130094-0499	96	381R	130112-0171	39	420C12W	130198-0118	129
36571SS	130094-0500	96	382	130112-0172	41	420C5	130150-0125	144
36573	130094-0501	95	383	130112-0173	39	420C5W	130150-0126	129
36574	130094-0502	96	385	130112-0174	39	420C7	130150-0127	144
36574SS	130094-0503	96	387010A	130107-0042	37	420C7W	130150-0128	129
36575	130094-0504	95	387510A	130107-0043	37	420C9	130150-0288	144
36576	130094-0505	95	40-1040	130112-0176	25	420C9W	130150-0129	129
36577	130094-0506	95	40-3660	130138-0069	218	420P12	130150-0135	144
36578	130094-0507	95	40-9100	130186-0535	203	420P12W	130150-0136	129
36579	130094-0509	95	40-9441	130186-0719	9	420P5	130150-0137	144
36580	130094-0510	96	40-9442	130113-0007	9	420P5W	130150-0138	129
36581	130094-0511	95	40-9456	130186-0561	9	420P7	130150-0139	144
36582	130094-0512	96	4002	130126-0186	237	420P7W	130150-0140	129
36583	130094-0513	95	4003	130126-0187	237	420P9	130150-0141	144
36584	130094-0514	96	4004	130126-0188	237	420P9W	130150-0142	129
36585	130094-0515	95	4005	130126-0189	237	420R12	130150-0143	144
36586	130094-0516	95	4006	130126-0190	237	420R12W	130150-0144	129
36587	130094-0517	96	4007	130126-0192	237	420R5	130150-0145	144
36588	130094-0519	96	4008	130126-0193	237	420R5W	130150-0146	129
36591	130094-0520	96	4009	130126-0195	237	420R7	130150-0147	144
36594	130094-0521	96	4010	130126-0196	237	420R7W	130150-0148	129
36670	130094-0522	103	4011	130126-0197	237	420R9	130150-0149	144
36671	130094-0523	103	4012	130126-0198	237	420R9W	130150-0150	129
36672	130094-0524	103	402	130109-0007	27	4210	130126-0241	237
36673	130094-0525	103	4020	130128-0100	236	4212	130126-0242	237
36674	130094-0526	103	4020-2	130128-0101	236	430C5W	130150-0156	129
36675	130094-0527	103	4022	130126-0199	235, 236	430C7	130150-0157	144
36676	130094-0528	103	4022-2	130126-0200	235	430C7W	130150-0158	129
36680	130094-0529	103	4022E5	130126-0204	235, 236	430C9W	130150-0160	129
36681	130094-0530	103	4022G	130126-0205	236	430P5W	130150-0169	129
36682	130094-0531	103	4023	130126-0207	235, 236	430P7	130150-0170	144
36683	130094-0532	103	4023-2	130126-0208	235	430P7W	130150-0171	129
36684	130094-0533	103	4023E5	130126-0209	235, 236	430P9W	130150-0173	129
36685	130094-0534	103	4023G	130126-0210	236	430R5W	130150-0175	129
36686	130094-0535	103	4024	130126-0212	235, 236	430R7	130150-0176	144
367	130112-0156	41	4024-2	130126-0213	235	430R7W	130150-0177	129
367V	130112-0157	41	4024E5	130126-0214	235, 236	430R9W	130150-0179	129
368	130112-0158	41	4024G	130126-0216	236	452CR	130128-0114	172, 202
36800	130097-0276	73	4026	130126-0218	235, 236	453CR	130128-0116	172, 202
36801	130097-0277	73	4026-2	130126-0219	235	454CR	130128-0119	172, 202
36802	130097-0278	73	4026E5	130126-0222	235, 236	455-FD1	130128-0150	201
36803	130097-0279	73	4026G	130126-0223	236	455-FD1BLK	130128-0160	172, 201
36804	130097-0280	73	4028	130126-0036	235, 236	455-TA50	130128-0167	201
36805	130097-0281	73	4028-2	130126-0224	235	455-TA75	130128-0168	201
36806	130097-0282	73	4028E5	130126-0226	235, 236	459	130138-0004	203
36807	130097-0283	73	4028G	130126-0227	236	460C12	130150-0185	144
36808	130097-0284	73	4032	130126-0228	239	460C12W	130150-0186	129
36809	130097-0285	73	4032-2	130126-0229	239	460C5	130150-0187	144
36810	130097-0286	73	4032BLK	130126-0230	239	460C5W	130150-0188	129
36811	130097-0287	73	405	130109-0009	27	460C7	130150-0189	144
36812	130097-0288	73	4052	130126-0231	234	460C7W	130150-0190	129
36813	130097-0289	73	4052BLK	130126-0232	234	460C9	130150-0191	144
36814	130097-0290	73	41-6762	130112-0186	17	460C9W	130150-0192	129
36815	130097-0291	73	4100C12W	130150-0105	129	460P12	130150-0198	144
36816	130097-0292	73	4100C5W	130150-0106	129	460P12W	130150-0199	129

Woodhead No. Index

Woodhead No.	Order No.	Page	Woodhead No.	Order No.	Page	Woodhead No.	Order No.	Page
460P5	130150-0200	144	50W56	130155-0084	126	5525M	130099-0074	83
460P5W	130150-0201	129	5169	130144-0035	135	5525NM	130099-0075	83
460P7	130150-0202	144	5176	130144-0008	135	5525W	130098-0060	80
460P7W	130150-0203	129	520C7	130150-0227	144	5526	130098-0061	75
460P9	130150-0204	144	520C9	130150-0229	144	5526M	130099-0076	78
460P9W	130150-0205	129	520P7	130150-0238	144	5526MSS	130097-0323	85
460R12	130150-0206	144	520P9	130150-0240	144	5526NM	130099-0077	78
460R12W	130150-0207	129	520R7	130150-0242	144	5526SS	130098-0063	85
460R5	130150-0208	144	520R9	130150-0244	144	5526W	130098-0064	75
460R5W	130150-0209	129	5252DW	130148-0075	139	5526WBLK	130098-0065	76
460R7	130150-0210	144	5252DWBLK	130148-0076	139	5527	130098-0066	80
460R7W	130150-0211	129	5261DWI	130149-0088	138	5527M	130099-0078	83
460R9	130150-0212	144	5262DW	130148-0083	139	5527NM	130099-0079	83
460R9W	130150-0213	129	5262DWCR	130148-0084	139	5527W	130098-0068	80
4700DW	130148-0074	139	5262DWI	130148-0086	139	5528	130098-0069	75
4720	130144-0023	137	5262DWW	130148-0089	139	5528M	130099-0080	78
4720YL	130144-0024	137	5266	130144-0036	135	5528MSS	130097-0324	85
4729	130144-0025	137	5266YL	130144-0043	135	5528NM	130099-0081	78
4729YL	130144-0026	137	5269	130144-0044	135	5528SS	130098-0070	85
4730	130144-0027	137	5269L	130144-0048	135, 158	5528W	130098-0071	75
4739	130144-0029	137	5269YL	130144-0050	135	5528WBLK	130098-0072	76
4747	130149-0066	138	5362DW	130148-0097	139	5529	130098-0073	80
4747CR	130149-0067	138	5362DWBL	130148-0091	139	5529M	130099-0082	83
4748	130149-0068	138	5362DWBLK	130148-0099	139	5529NM	130099-0083	83
4748CR	130149-0069	138	5362DWCR	130148-0100	139	5529W	130098-0075	80
4749	130149-0070	138	5362DWI	130148-0102	139	5530	130098-0076	75
4770	130144-0031	137	5362DWR	130148-0104	139	5530M	130099-0084	78
4774	130149-0071	138	5366	130144-0053	135	5530MSS	130097-0325	85
4775	130149-0072	138	5369	130144-0057	135	5530NM	130099-0085	78
4776	130149-0074	138	5398	130098-0024	74	5530SS	130098-0077	85
4779	130144-0033	137	5400	130098-0025	74	5530W	130098-0078	75
4976	130149-0085	138	5402	130098-0026	74	5530WBLK	130098-0079	76
4976CR	130149-0086	138	5452DW	130148-0106	139	5531	130098-0080	80
50-8575	130112-0196	34	5462DW	130148-0107	139	5531M	130099-0086	83
50-8578	130201-0750	34	5462DWCR	130148-0108	139	5531NM	130099-0087	83
5002	130111-0030	41	5466	130144-0061	135	5531W	130098-0081	80
5003	130111-0031	41	5469	130144-0063	135	5532	130098-0082	75
5030	130111-0044	42	5500	130098-0027	74	5532M	130099-0088	78
5038-F	130111-0054	42	5501	130098-0028	80	5532MSS	130097-0326	85
5052-1	130126-0243	233	5502	130098-0029	74	5532SS	130098-0085	85
5052-M	130126-0246	233	5503	130098-0030	80	5532W	130098-0086	75
5052-N	130126-0247	233	5504	130098-0031	74	5532WBLK	130098-0087	76
5054-1	130126-0248	233	5505	130098-0425	80	5533	130098-0089	80
5054-1M	130126-0249	233	5506	130098-0032	74	5533M	130099-0089	83
5054-1N	130126-0250	233	5507	130098-0033	80	5533W	130098-0090	80
5054-2	130126-0251	233	5508	130098-0034	74	5534	130097-0327	75
5056-1	130126-0256	233	5509	130098-0035	80	5534M	130099-0090	78
5056-1M	130126-0257	233	5518	130098-0036	75	5534MSS	130097-0328	85
5056-1N	130126-0258	233	5518SS	130098-0037	85	5534SS	130098-0243	85
5056-2M	130126-0260	233	5518W	130098-0038	75	5534W	130098-0092	75
5058-1	130126-0262	233	5519	130098-0039	80	5535	130097-0093	80
5058-1M	130126-0263	233	5519W	130098-0040	80	5535M	130099-0091	83
5058-1N	130126-0264	233	5520	130098-0041	75	5535W	130098-0095	80
5058-2M	130126-0266	233	5520SS	130098-0424	85	5536	130098-0096	75
5058-3M	130126-0268	233	5520W	130098-0043	75	5536M	130099-0092	79
5058-RM	130126-0012	233, 236	5521	130098-0044	80	5536MSS	130097-0329	85
5058C-C	130126-0008	233	5521W	130098-0045	80	5536NM	130099-0093	79
5058C-L	130126-0009	233, 242	5522	130098-0046	75	5536SS	130098-0246	85
5058PL-GS	130126-0021	233	5522M	130099-0068	78	5536W	130098-0099	75
5058PL-RS	130126-0022	233	5522MSS	130097-0321	85	5536WBLK	130098-0100	76
5058PL-YS	130126-0023	233	5522NM	130099-0069	78	5537	130098-0101	81
5058SS-2	130126-0025	233	5522SS	130098-0048	85	5537M	130099-0094	83
5058SS-3NO	130126-0027	233	5522W	130098-0049	75	5537NM	130099-0095	83
5058SW-1	130126-0028	233	5523	130098-0050	80	5537W	130098-0102	81
5058SW-12NO	130126-0029	233	5523M	130099-0070	83	5538	130098-0103	75
5058SW-1NONC	130126-0030	233	5523NM	130099-0071	83	5538M	130099-0096	79
5058SW-2	130126-0031	233	5523W	130098-0051	80	5538MSS	130097-0330	85
5058SW-M	130126-0033	233	5524	130098-0052	75	5538NM	130099-0097	79
5058SW-N	130126-0034	233	5524M	130099-0072	78	5538SS	130098-0106	85
50W50	130155-0077	126	5524MSS	130097-0322	85	5538W	130098-0107	75
50W50BLK	130155-0078	126	5524NM	130099-0073	78	5538WBLK	130098-0108	76
50W52	130155-0080	126	5524SS	130098-0055	85	5539	130098-0109	81
50W52BLK	130155-0081	126	5524W	130098-0056	75	5539M	130099-0098	83
50W54	130155-0082	126	5524WBLK	130098-0057	76	5539NM	130099-0099	83
50W54BLK	130155-0083	126	5525	130098-0058	80	5539W	130098-0111	81

Woodhead No. Index

Woodhead No.	Order No.	Page	Woodhead No.	Order No.	Page	Woodhead No.	Order No.	Page
5540	130098-0112	75	5554M	130099-0123	79	5595-005W	130098-0210	82
5540M	130099-0100	79	5554MSS	130097-0336	85	5595-006W	130098-0241	82
5540MSS	130097-0331	85	5554NM	130099-0124	79	5595-007W	130098-0238	82
5540NM	130099-0101	79	5554SS	130098-0251	85	5595-008	130098-0212	82
5540SS	130098-0113	85	5554W	130098-0151	75	5595-008W	130098-0213	82
5540W	130098-0114	75	5554WBLK	130098-0152	76	5599	130099-0141	84
5540WBLK	130098-0115	76	5555	130098-0153	81	5600	130099-0142	84
5541	130098-0116	81	5555M	130099-0125	83	5601	130099-0143	84
5541M	130099-0102	83	5555NM	130099-0126	83	5602	130099-0144	84
5541NM	130099-0103	83	5555W	130098-0154	81	5603	130099-0145	84
5541W	130098-0117	81	5556	130098-0155	75	5604	130099-0146	84
5542	130098-0118	75	5556M	130099-0127	79	5609	130099-0147	84
5542M	130099-0104	79	5556MSS	130097-0337	85	5610	130099-0148	84
5542MSS	130097-0332	85	5556NM	130099-0128	79	5611	130099-0149	84
5542NM	130099-0105	79	5556SS	130098-0252	85	5612	130099-0150	84
5542SS	130098-0426	85	5556W	130098-0157	75	5613	130099-0151	84
5542W	130098-0121	75	5556WBLK	130098-0158	76	5614	130099-0152	84
5542WBLK	130098-0122	76	5557	130098-0159	81	5620	130098-0235	75
5543	130098-0123	81	5557M	130099-0129	83	5620M	130099-0153	79
5543M	130099-0106	83	5557NM	130099-0130	83	5620NM	130099-0154	79
5543NM	130099-0107	83	5557W	130098-0160	81	5620W	130098-0215	75
5543W	130098-0125	81	5558	130098-0161	75	5620WBLK	130098-0216	76
5544	130098-0126	75	5558M	130099-0131	79	5621	130098-0217	81
5544M	130099-0108	79	5558MSS	130097-0632	85	5621W	130098-0218	81
5544MSS	130097-0333	85	5558NM	130099-0132	79	5622	130098-0236	75
5544SS	130098-0128	85	5558SS	130098-0253	85	5622M	130099-0157	79
5544W	130098-0129	75	5558W	130098-0164	75	5622MSS	130097-0340	85
5545	130098-0130	81	5558WBLK	130098-0429	76	5622NM	130099-0158	79
5545M	130099-0109	83	5559	130098-0165	81	5622SS	130098-0244	85
5545W	130098-0131	81	5560	130098-0166	75	5622W	130098-0221	75
5546	130098-0132	75	5560M	130099-0134	79	5622WBLK	130098-0222	76
5546M	130099-0110	79	5560MSS	130097-0338	85	5623	130098-0223	81
5546MSS	130097-0630	85	5560NM	130099-0135	79	5623M	130099-0159	83
5546NM	130099-0111	79	5560SS	130098-0254	85	5623NM	130099-0160	83
5546SS	130098-0248	85	5560W	130098-0167	75	5623W	130098-0224	81
5546W	130098-0133	75	5560WBLK	130098-0168	76	5624	130098-0225	75
5547	130098-0134	81	5561	130098-0169	81	5624M	130099-0161	79
5547NM	130099-0112	83	5561M	130099-0136	83	5624MSS	130097-0341	85
5547W	130098-0135	81	5561NM	130099-0137	83	5624NM	130099-0162	79
5548	130098-0136	75	5561W	130098-0170	81	5624SS	130098-0245	85
5548M	130099-0113	79	5562	130098-0171	75	5624W	130098-0227	75
5548MSS	130097-0334	85	5562MSS	130097-0633	85	5624WBLK	130098-0228	76
5548NM	130099-0114	79	5562SS	130098-0255	85	5625	130098-0229	81
5548SS	130098-0249	85	5562W	130098-0172	75	5625M	130099-0227	83
5548W	130098-0137	75	5563	130098-0173	81	5625NM	130099-0163	83
5549	130098-0138	81	5568	130098-0174	75	5625W	130098-0230	81
5549NM	130099-0115	83	5569	130098-0175	81	5628M	130099-0164	87
5550	130098-0139	75	5570	130098-0176	75	5630M	130099-0165	87
55501	130023-0001	234	5571	130098-0177	81	5630NM	130099-0166	87
55501S	130126-0364	234	5572	130098-0178	75	5631M	130099-0167	87
55502	130023-0002	234	5573	130098-0179	81	5631NM	130099-0168	87
55502S	130126-0365	234	5574	130098-0180	75	5632M	130099-0169	87
55503	130023-0003	234	5575	130098-0181	81	5632NM	130099-0170	87
55503S	130126-0366	234	5576	130098-0182	75	5633M	130099-0171	87
55504	130023-0004	234	5577	130098-0184	81	5633NM	130099-0172	87
55504S	130126-0367	234	5580	130098-0185	77	5634M	130099-0173	87
5550M	130099-0116	79	5580W	130098-0186	77	5634NM	130099-0174	87
5550MSS	130097-0631	85	5581	130098-0187	82	5635M	130099-0175	87
5550NM	130099-0117	79	5582	130098-0188	77	5635NM	130099-0176	87
5550SS	130098-0250	85	5582W	130098-0189	77	5636M	130099-0177	87
5550W	130098-0141	75	5583	130098-0190	82	5636NM	130099-0178	87
5551	130098-0142	81	5585	130098-0239	82	5637M	130099-0179	87
5551M	130099-0118	83	5587	130098-0193	82	5637NM	130099-0180	87
5552	130098-0143	75	5594-004	130098-0195	77	5638M	130099-0181	87
5552M	130099-0119	79	5594-004W	130098-0196	77	5638NM	130099-0182	87
5552MSS	130097-0335	85	5594-005	130098-0197	77	5639M	130099-0183	87
5552NM	130099-0120	79	5594-005W	130098-0198	77	5639NM	130099-0184	87
5552SS	130098-0145	85	5594-006	130098-0199	77	5640M	130099-0185	87
5552W	130098-0146	75	5594-006W	130098-0200	77	5640NM	130099-0186	87
5552WBLK	130098-0147	76	5594-007	130098-0202	77	5645M	130099-0187	87
5553	130098-0148	81	5594-007W	130098-0203	77	5646M	130099-0188	87
5553M	130099-0121	83	5594-008	130098-0204	77	5647M	130099-0189	87
5553NM	130099-0122	83	5594-008W	130098-0205	77	5648M	130099-0190	87
5553W	130098-0149	81	5595-004	130098-0207	82	5666	130144-0065	135
5554	130098-0150	75	5595-004W	130098-0208	82	5669	130144-0067	135

Woodhead No. Index

Woodhead No.	Order No.	Page	Woodhead No.	Order No.	Page	Woodhead No.	Order No.	Page
5766	130144-0069	135	66W74	130147-0131	123	85362DWW	130148-0123	139
5769	130144-0071	135	66W75	130147-0132	123	85366	130144-0082	135
59W07	130146-0114	122	66W76	130147-0133	123	85369	130144-0084	135
59W33	130146-0115	122	66W81	130147-0134	123	85447	130144-0087	135, 158
59W47	130146-0116	122	66W82	130147-0135	123	85447L	130144-0088	135, 158
59W48	130146-0117	122	66W83	130147-0136	123	85447MB	130149-0094	139
59W49	130146-0118	122	6702	130085-0358	203	85547	130144-0089	135
600	130152-0016	40	6703	130155-0109	203	8565	130110-0031	33
601	130152-0020	40	67W07	130146-0156	122	8565-LED	130110-0060	33
603	130144-0094	40	67W08	130146-0157	122	8565-MH	130110-0035	33
606	130152-0021	40	67W09	130147-0137	122	8565F	130110-0033	33
60W07	130146-0121	122	67W10	130147-0139	123	8565F-LED	130110-0061	33
60W07DPLX	130146-0122	122	67W10	130147-0140	123	8565F-MH	130110-0034	33
60W33	130146-0123	122	67W47	130147-0141	122	8575-MH	130110-0038	34
60W33DPLX	130146-0125	122	67W48	130147-0144	122	8575-MH-PS	130110-0050	34
60W34	130146-0127	122	67W49	130147-0145	122	8664	130142-0051	134, 155
60W34DPLX	130146-0128	122	67W64	130147-0146	122	8665	130142-0052	134, 155
60W47	130146-0129	122	67W74	130147-0147	123	9206	130083-0222	53
60W47DPLX	130146-0131	122	67W75	130147-0149	123	9208	130083-0223	53
60W48	130146-0133	122	67W76	130147-0150	123	9224	130083-0224	53, 54
60W48DPLX	130146-0135	122	67W81	130147-0151	123	9224-1610S	130083-0766	54
60W49	130146-0137	122	67W82	130147-0153	123	9224-86	130083-0767	54
60W49DPLX	130146-0138	122	67W83	130147-0154	123	9228	130083-0225	53, 54
610-END	130138-0117	223	68W08	130147-0155	122	9228-106US	130083-0772	54
610-LT	130138-0118	223	68W47	130147-0157	122	9228-1610S	130083-0773	54
610-MAIN	130138-0116	223	68W48	130147-0158	122	9228-86	130083-0775	54
610-MAIN-BLK	130138-0187	223	68W49	130147-0005	122	9234	130083-0227	53
610-RT	130138-0119	223	68W74	130147-0159	123	9238	130083-0228	53
61430	130104-0041	10	68W75	130147-0160	123	92401	130083-0229	53
61430A143	130104-0042	10	68W76	130147-0161	123	92402	130083-0230	53
61430A163	130104-0043	10	68W77	130147-0162	123	92411	130083-0231	53
61430B143	130104-0044	10	68W81	130147-0163	123	9242	130084-0318	53
61430B163	130104-0045	10	68W82	130147-0164	123	92433	130083-0232	53, 55
61430D143	130104-0048	10	68W83	130147-0165	123	92433-1533	130083-0781	55
61430D163	130104-0049	10	6902	130155-0017	203	92433-1547	130083-0782	55
61431	130104-0054	10	6903	130155-0018	203	92433-3000	130083-0784	55
61432	130104-0055	10	69W08	130147-0166	122	92433-3070G	130083-0786	55
61435	130104-0056	10	69W47	130147-0168	122	92433-3080	130083-0787	55
61436	130104-0057	7, 10	69W48	130147-0169	122	92434	130083-0233	53, 55
61450	130104-0082	7	69W49	130147-0170	122	92434-3080	130083-0913	55
61450A143	130104-0083	7	69W74	130147-0173	123	92443	130083-0234	53
61450A163	130104-0086	7	69W75	130147-0174	123	92444	130083-0236	53
61450B143	130104-0084	7	69W76	130147-0175	123	92463	130083-0237	53
61450B163	130104-0087	7	69W77	130147-0176	123	92464	130083-0238	53
61450D143	130104-0085	7	69W81	130147-0177	123	92481	130083-0239	53
61450D163	130104-0088	7	69W82	130147-0178	123	92482	130083-0240	53
61451	130104-0095	7	69W83	130147-0179	123	92501AN	130084-0119	58
61452	130104-0096	7	70W33A123	130138-0076	200	92502N	130084-0120	58
61455	130104-0097	7	70W33A123GF	130138-0077	200	92511AN	130084-0121	58
61457	130104-0098	7	70W33L123	130138-0079	200	92512AN	130084-0123	58
63W64	130155-0104	117	70W33M123	130138-0081	200	92512BN	130084-0124	58
63W65	130155-0105	117	70W33M123GF	130138-0082	200	92526BN	130084-0128	58
64W04	130146-0139	122	70W47A143GF	130138-0083	200	9253	130083-0242	53 to 55
64W07	130146-0140	122	70W47L143	130138-0085	200	9253-1610S	130083-0245	54
64W34	130146-0141	122	70W47L143GF	130138-0086	200	9253-3000	130083-0246	55
64W47	130146-0142	122	70W47M143	130138-0087	200	92531N	130084-0129	58
64W49	130146-0143	122	70W47M143GF	130138-0088	200	92532N	130084-0131	58
64W64	130147-0122	123	71-4220	130203-1295	236, 242	92533N	130084-0132	58
6503	130155-0107	203	75W47L143	130135-0322	200	92534N	130084-0133	58
65W04	130018-0366	122	7764N	130155-0122	137	92535AN	130084-0134	58
65W07	130146-0145	122	7765N	130155-0123	137	92535BN	130084-0135	58
65W07DPLX	130146-0146	122	77W47M123GF	130138-0095	200	92536N	130084-0136	58
65W34	130146-0147	122	85125	130144-0077	158	92541N	130084-0138	58
65W34DPLX	130146-0148	122	85262DW	130148-0114	139	92542N	130084-0139	58
65W47	130146-0149	122	85262DWI	130148-0115	139	92543N	130084-0140	58
65W47DPLX	130146-0151	122	85262DWR	130148-0116	139	92544AN	130084-0141	58
65W49	130146-0153	122	85262DWWW	130148-0117	139	92544BN	130084-0142	58
65W49DPLX	130146-0154	122	85266	130144-0078	135	92545AN	130084-0143	58
66W07	130146-0155	122	85266YL	130144-0079	135	92545BN	130084-0144	58
66W08	130147-0124	122	85269	130144-0080	135	92546N	130084-0145	58
66W09	130147-0125	123	85269YL	130144-0081	135	92561N	130084-0146	58
66W10	130147-0126	123	85362DW	130148-0118	139	92562AN	130084-0147	58
66W47	130147-0127	122	85362DWBLK	130148-0119	139	92562BN	130084-0148	58
66W48	130147-0128	122	85362DWI	130148-0121	139	92564N	130084-0149	58
66W49	130147-0129	122	85362DWR	130148-0122	139	92581N	130084-0150	58

Woodhead No. Index

Woodhead No.	Order No.	Page	Woodhead No.	Order No.	Page	Woodhead No.	Order No.	Page
92582N	130084-0151	58	990A-83	130091-0064	49	ARC30MB3A	112219-1503	170
92583N	130084-0152	58	997	130091-0085	48	ARC30MC02	112219-1005	169
92631	130085-0359	59	997-1547	130091-0087	50	ARC30MC02A	112219-1505	170
92632	130085-0360	59	997-3000	130091-0090	50	ARC30MC03	112219-1006	169
92633	130085-0361	59	997-3070G	130091-0094	50	ARC30MC03A	112219-1506	170
92642	130085-0363	59	997L	130091-0210	48	ARC30MD01	112219-1008	169
92643	130085-0364	59	997L-1547	130091-0213	50	ARC30MDE05	112219-1011	169
92661	130085-0365	59	997L-2547	130091-0211	50	ARC30ME02	112219-1009	169
92663	130084-0155	58	997L-3000	130091-0214	50	ARC30ME02A	112219-1509	170
92681	130085-0366	59	997L-3070G	130091-0212	50	ARC30ME03	112219-1010	169
92702	130085-0367	59	998	130091-0202	48	ARC30ME03A	112219-1510	170
92712	130085-0368	59	998-1533	130091-0203	50	ARC30MF02	112219-1012	169
92726	130085-0949	59	998-3070G20	130091-0204	50	ARC30MF02A	112219-1512	170
92733	130085-0370	59	998-3080	130091-0201	50	ARC30MF03	112219-1013	169
92735	130085-0905	59	998L	130091-0205	48	ARC30MF03A	112219-1513	170
92736	130085-0372	59	998L-1533	130091-0208	50	ARC30MGF05	112219-1014	169
92742	130085-0373	59	998L-2747	130091-0206	50	ARC30MHD A01	112219-1015	169
92743	130085-0374	59	998L-3070G20	130091-0207	50	ARC30MHDAB04	112219-1018	169
92744	130085-0375	59	998L-3080	130091-0209	50	ARC30MH DAC05	112219-1021	169
92745	130085-0376	59	ARC30FA01	112219-0001	167	ARC30MHDB02	112219-1016	169
92746	130085-0377	59	ARC30FAA01	112219-0043	168	ARC30MHDB03	112219-1017	169
92762	130085-0379	59	ARC30FAAB04	112219-0046	168	ARC30MHDC02	112219-1019	169
92764	130085-0025	59	ARC30FAAC05	112219-0049	168	ARC30MHDC03	112219-1020	169
92782	130085-0381	59	ARC30FAB02	112219-0044	168	ARC30MHDD01	112219-1022	169
92783	130085-0382	59	ARC30FAB03	112219-0045	168	ARC30MH DDE05	112219-1025	169
930	130087-0057	65	ARC30FAB04	112219-0004	167	ARC30MHDE02	112219-1023	169
9306	130083-0247	53	ARC30FAC02	112219-0047	168	ARC30MHDE03	112219-1024	169
9308	130083-0248	53	ARC30FAC03	112219-0048	168	ARC30MHDF02	112219-1026	169
930B123	130087-0058	65	ARC30FAC05	112219-0007	167	ARC30MHDF03	112219-1027	169
930B143	130087-0059	65	ARC30FAD01	112219-0050	168	ARC30MHDFG05	112219-1028	169
930D123	130087-0063	65	ARC30FADE05	112219-0053	168	ARC60FA01	112217-0001	167
930D143	130087-0064	65	ARC30FAE02	112219-0051	168	ARC60FAA01	112217-0043	168
9358	130083-0249	53 to 55	ARC30FAE03	112219-0052	168	ARC60FAAB04	112217-0046	168
9358-106US	130083-0250	54	ARC30FAF02	112219-0054	168	ARC60FAAC05	112217-0049	168
9358-1547	130083-0252	55	ARC30FAF03	112219-0055	168	ARC60FAB02	112217-0044	168
9358-1610S	130083-0852	54	ARC30FAGF05	112219-0056	168	ARC60FAB03	112217-0045	168
9358-3070G	130083-0254	55	ARC30FB02	112219-0002	167	ARC60FAB04	112217-0004	167
9363	130083-0262	53	ARC30FB02A	112219-0502	170	ARC60FAC02	112217-0047	168
9367	130083-0263	53	ARC30FB03	112219-0003	167	ARC60FAC03	112217-0048	168
9383	130083-0264	53, 55	ARC30FB03A	112219-0503	170	ARC60FAC05	112217-0007	167
9383-1533	130083-0265	55	ARC30FC02	112219-0005	167	ARC60FAD01	112217-0050	168
9383-1547	130083-0266	55	ARC30FC02A	112219-0505	170	ARC60FADE05	112217-0053	168
9383-3000	130083-0269	55	ARC30FC03	112219-0006	167	ARC60FAE02	112217-0051	168
9383-3070G	130083-0270	55	ARC30FC03A	112219-0506	170	ARC60FAE03	112217-0052	168
9383-3080	130083-0271	55	ARC30FD01	112219-0008	167	ARC60FAF02	112217-0054	168
9385	130083-0279	53, 55	ARC30FDE05	112219-0011	167	ARC60FAF03	112217-0055	168
9385-3080	130083-0280	55	ARC30FE02	112219-0009	167	ARC60FAGF05	112217-0056	168
9394	130083-0284	53	ARC30FE02A	112219-0509	170	ARC60FB02	112217-0002	167
945-1547	130090-0008	50	ARC30FE03	112219-0010	167	ARC60FB03	112217-0003	167
945-3	130090-0009	48, 49	ARC30FE03A	112219-0510	170	ARC60FC02	112217-0005	167
945-3-86	130090-0010	49	ARC30FF02	112219-0012	167	ARC60FC03	112217-0006	167
9501	130226-1600	53	ARC30FF02A	112219-0512	170	ARC60FD01	112217-0008	167
9503	130226-1601	58	ARC30FF03	112219-0013	167	ARC60FDE05	112217-0011	167
9504	130226-1602	59	ARC30FF03A	112219-0513	170	ARC60FE02	112217-0009	167
9505	130086-0177	59	ARC30FGF05	112219-0014	167	ARC60FE03	112217-0010	167
963	130090-0015	49	ARC30FHDA01	112219-0015	167	ARC60FF02	112217-0012	167
965	130090-0018	49	ARC30FHDB04	112219-0018	167	ARC60FF03	112217-0013	167
966	130090-0019	50	ARC30FH DAC05	112219-0021	167	ARC60FGF05	112217-0014	167
980	130091-0013	48, 49	ARC30FHDB02	112219-0016	167	ARC60FHDA01	112217-0015	167
980-1610S	130091-0020	49	ARC30FHDB03	112219-0017	167	ARC60FHDB04	112217-0018	167
980-271US	130091-0021	49	ARC30FHDC02	112219-0019	167	ARC60FH DAC05	112217-0021	167
980-3000	130091-0023	50	ARC30FHDC03	112219-0020	167	ARC60FHDB02	112217-0016	167
980-3070G	130091-0025	50	ARC30FHDD01	112219-0022	167	ARC60FHDB03	112217-0017	167
980-83	130091-0027	49	ARC30FH DDE05	112219-0025	167	ARC60FHDC02	112217-0019	167
980-86	130091-0028	49	ARC30FHDE02	112219-0023	167	ARC60FHDC03	112217-0020	167
980A-83	130091-0030	49	ARC30FHDE03	112219-0024	167	ARC60FHDD01	112217-0022	167
990	130091-0045	48, 49	ARC30FHDF02	112219-0026	167	ARC60FH DDE05	112217-0025	167
990-106US	130091-0049	49	ARC30FHDF03	112219-0027	167	ARC60FHDE02	112217-0023	167
990-1547	130091-0053	50	ARC30FHDFG05	112219-0028	167	ARC60FHDE03	112217-0024	167
990-1610S	130091-0055	49	ARC30MA01	112219-1001	169	ARC60FHDF02	112217-0026	167
990-271US	130091-0056	49	ARC30MAB04	112219-1004	169	ARC60FHDF03	112217-0027	167
990-3000	130091-0057	50	ARC30MAC05	112219-1007	169	ARC60FHDFG05	112217-0028	167
990-3070G	130091-0059	50	ARC30MB02	112219-1002	169	ARC60MA01	112217-1001	169
990-83	130091-0061	49	ARC30MB02A	112219-1502	170	ARC60MAB04	112217-1004	169
990-86	130091-0062	49	ARC30MB03	112219-1003	169	ARC60MAC05	112217-1007	169

Woodhead No. Index

Woodhead No.	Order No.	Page	Woodhead No.	Order No.	Page	Woodhead No.	Order No.	Page
ARC60MB02	112217-1002	169	CS6365N	130155-0134	137	DH5-6E1H	130138-0227	222
ARC60MB03	112217-1003	169	CS6365NA064	130143-0396	223	DH5-6G1H	130138-0208	222
ARC60MC02	112217-1005	169	CS6365NB064	130143-0377	223	DW4F20	130150-0325	128
ARC60MC03	112217-1006	169	CS6365ND064	130143-0378	223	DW4M20	130150-0320	128
ARC60MD01	112217-1008	169	CS6369	130155-0135	138	DW730-30F	130155-0190	128
ARC60MDE05	112217-1011	169	CS6375	130155-0137	139	DW730-30M	130155-0182	128
ARC60ME02	112217-1009	169	CS63W64	130155-0141	117	DW730-30R	130155-0183	128
ARC60ME03	112217-1010	169	CS63W65	130155-0142	117	DW760-60F	130155-0184	128
ARC60MF02	112217-1012	169	CS8164N	130155-0144	137	DW760-60M	130155-0185	128
ARC60MF03	112217-1013	169	CS8165N	130155-0145	137	DW760-60M38	130155-0192	128
ARC60MGF05	112217-1014	169	CS8169	130155-0146	138	DW760-60M75	130155-0186	128
ARC60MHDA01	112217-1015	169	CS8175	130155-0147	139	DW760-60R	130155-0187	128
ARC60MHDAB04	112217-1018	169	CS81W64	130155-0148	117	DY5-6E1H	130138-0126	221
ARC60MHDAC05	112217-1021	169	CS81W65	130155-0149	117	DY5-6G1H	130138-0127	221
ARC60MHDB02	112217-1016	169	CS82W64	130155-0154	116	ERA4000	130083-0286	65
ARC60MHDB03	112217-1017	169	CS82W65	130155-0155	116	ERA4040	130083-0287	65
ARC60MHDC02	112217-1019	169	CS8364N	130155-0156	137	ERA4150	130083-0288	65
ARC60MHDC03	112217-1020	169	CS8365N	130155-0157	137	ERA4250	130083-0289	65
ARC60MHDD01	112217-1022	169	CS8369	130155-0158	138	ERA4940	130083-0291	65
ARC60MHDD05	112217-1025	169	CS8375	130155-0159	139	STR101	130112-0246	42
ARC60MHDE02	112217-1023	169	CS83W64	130155-0160	117	STR105	130112-0258	42
ARC60MHDE03	112217-1024	169	CS83W65	130155-0161	117	WT3C-20	130109-0017	28
ARC60MHDF02	112217-1026	169	CS84W64	130155-0166	116	WT6C-25	130109-0026	28
ARC60MHDF03	112217-1027	169	CS84W65	130155-0167	116	WT6C-50	130109-0027	28
ARC60MHDF05	112217-1028	169	DB5-6E1H	130138-0177	221			
CS6364N	130155-0133	137	DB5-6G1H	130138-0178	221			

All trademarks used herein are the property of their respective owners. Reference to any non-Molex trademarks is not intended to claim any endorsement or association between Molex and the respective trademark owners, and should not be construed.

